

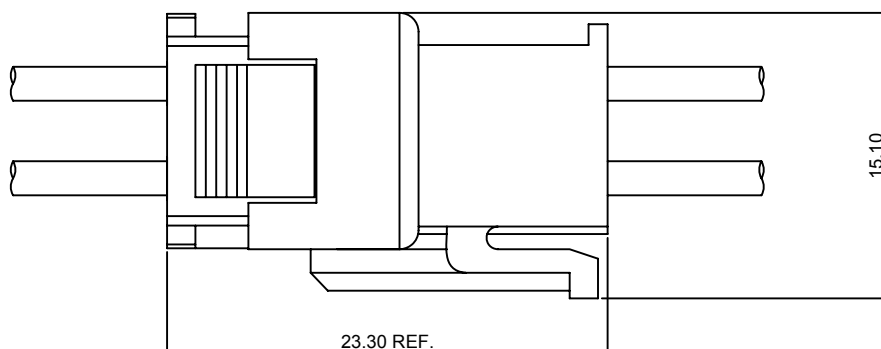
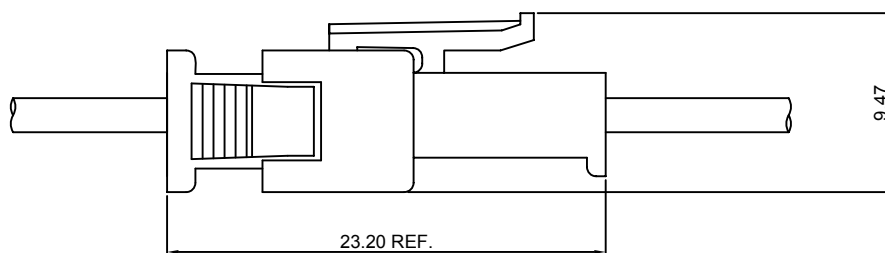
Specifications

- Current rating:3A AC,DC
- Voltage rating:250V AC,DC
- Temperature range:-40°C~+105°C
- Contact resistance:10mΩ Max.
- Insulation resistance:500MΩ Min.
- Withstanding voltage:1500V AC/minute
- *Compliant with RoHS and REACH*
- *Meet the HF/Halogen Free,need to customize*
- *Contact CJT for details*

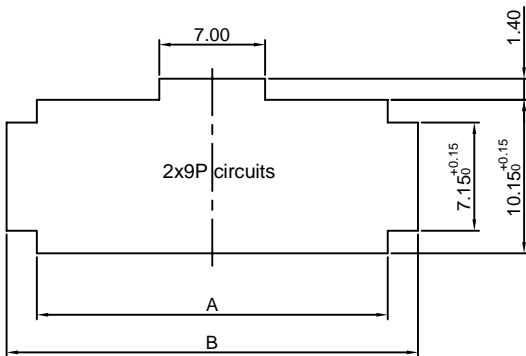
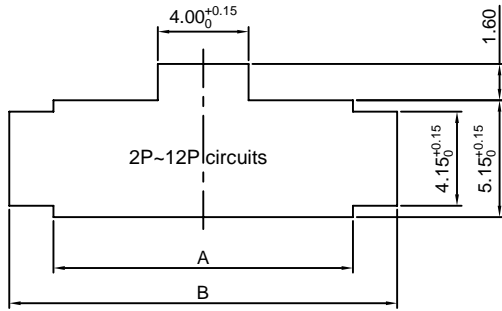
Standards



Assembly layout



Panel hole layout



PART NO.	Panel thickness(mm)					
	0.50~0.90		1.00~1.50		1.50~2.00	
	A	B	A	B	A	B
C2521HF-2P	5.70	9.60	5.70	9.80	5.70	10.00
C2521HF-3P	8.20	12.10	8.20	12.30	8.20	12.50
C2521HF-4P	10.70	14.60	10.70	14.80	10.70	15.00
C2521HF-5P	13.20	17.10	13.20	17.30	13.20	17.50
C2521HF-6P	15.70	19.60	15.70	19.80	15.70	20.00
C2521HF-7P	18.20	22.10	18.20	22.30	18.20	22.50
C2521HF-8P	20.70	24.60	20.70	24.80	20.70	24.00
C2521HF-9P	23.20	27.10	23.20	27.30	23.20	27.50
C2521HF-10P	25.70	29.60	25.70	29.80	25.70	30.00
C2521HF-11P	28.20	32.10	28.20	32.30	28.20	32.50
C2521HF-12P	30.70	34.60	30.70	34.80	30.70	35.00
C2521HF-2x9P	23.20	27.20	23.20	27.40	23.20	27.60

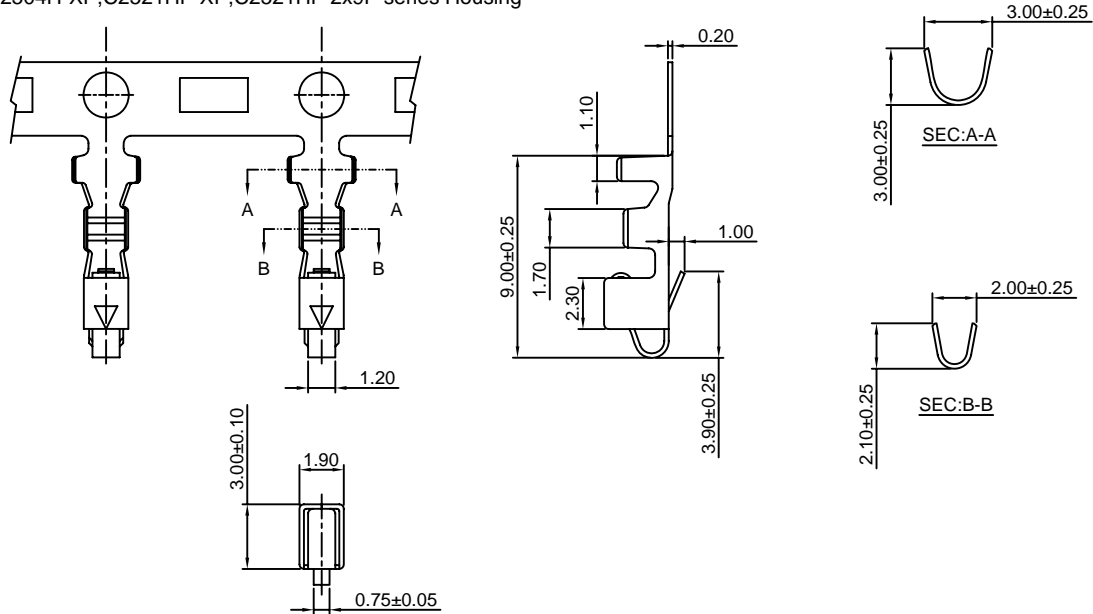
Unit:mm

C2521F-T

2.50mm pitch Crimp Terminal

Reference Informations:

*Used in CJT A2504H-XP, C2521HF-XP, C2521HF-2x9P series Housing



Ordering information & Specifications:

Unit:mm

Part NO.	Wire Range	Insulation O.D.	Material	Finish	Qty/reel
C2521F-TP	AWG#22-#28	1.80mm(max)	Phosphor Bronze	Tin over Nickel	7,000 PCS
C2521F-GP	AWG#22-#28	1.80mm(max)	Phosphor Bronze	Gold over Nickel	7,000 PCS

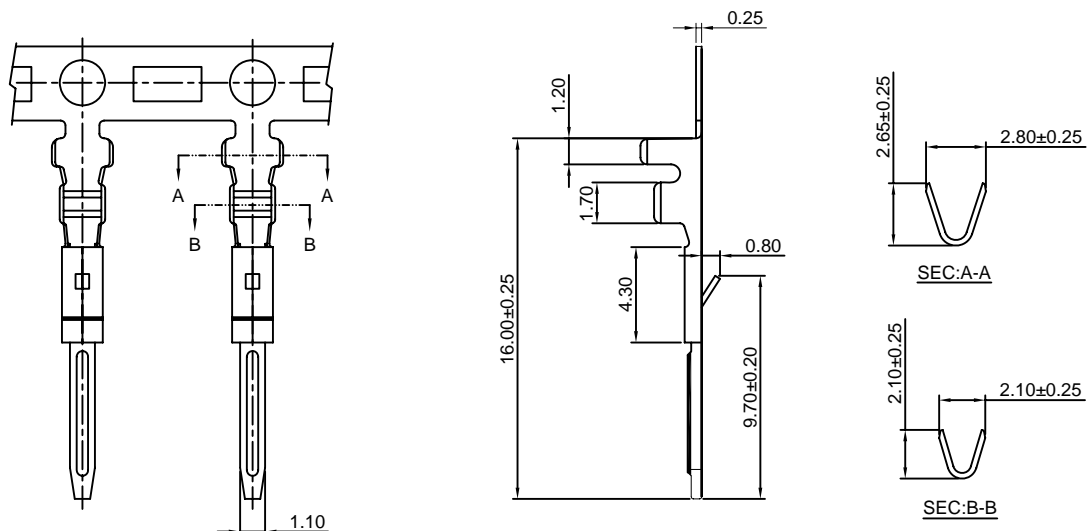
Optional Gold plating available but MOQ requested

C2521M-T

2.50mm pitch Crimp Terminal

Reference Informations:

*Used in CJT C2501HM-2P, C2521HM-XP, C2521HM-2x9P series Housing



Ordering information & Specifications:

Unit:mm

Part NO.	Wire Range	Insulation O.D.	Material	Finish	Qty/reel
C2521M-TP	AWG#22-#28	1.80mm(max)	Phosphor Bronze	Tin over Nickel	10,000 PCS
C2521M-GP	AWG#22-#28	1.80mm(max)	Phosphor Bronze	Gold over Nickel	10,000 PCS

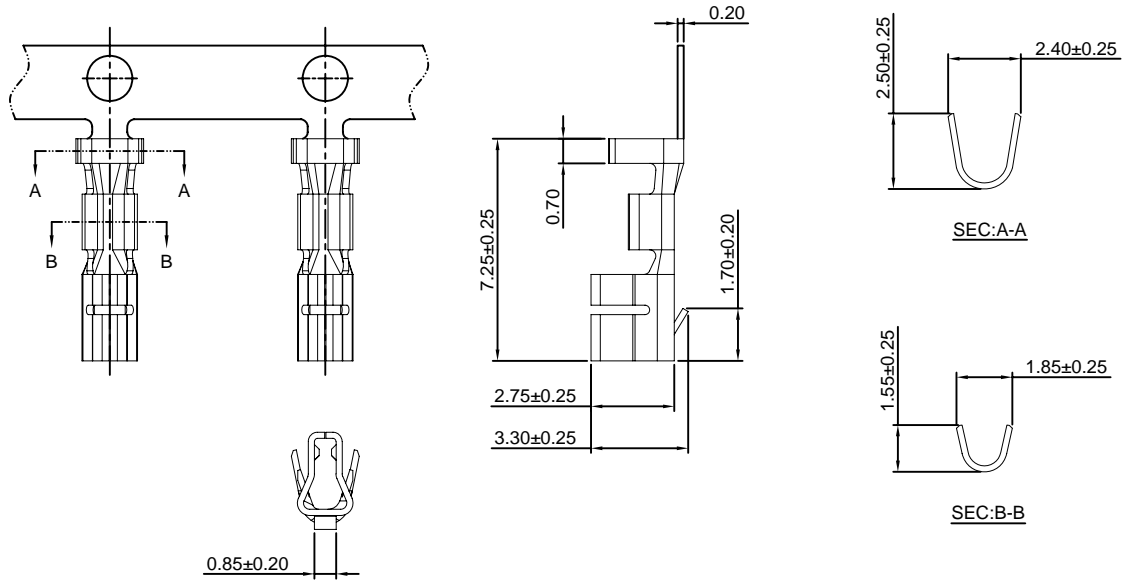
Optional Gold plating available but MOQ requested

C2521F-T-B

2.50mm pitch Crimp Terminal

Reference Informations:

*Used in CJT C2521HFB-XP series Housing



Ordering information & Specifications:

Unit:mm

Part NO.	Wire Range	Insulation O.D.	Material	Finish	Qty/reel
C2521F-TP-B	AWG#22-#26	1.80mm(max)	Phosphor Bronze	Tin over Nickel	7,000 PCS
C2521F-GP-B	AWG#22-#26	1.80mm(max)	Phosphor Bronze	Gold over Nickel	7,000 PCS

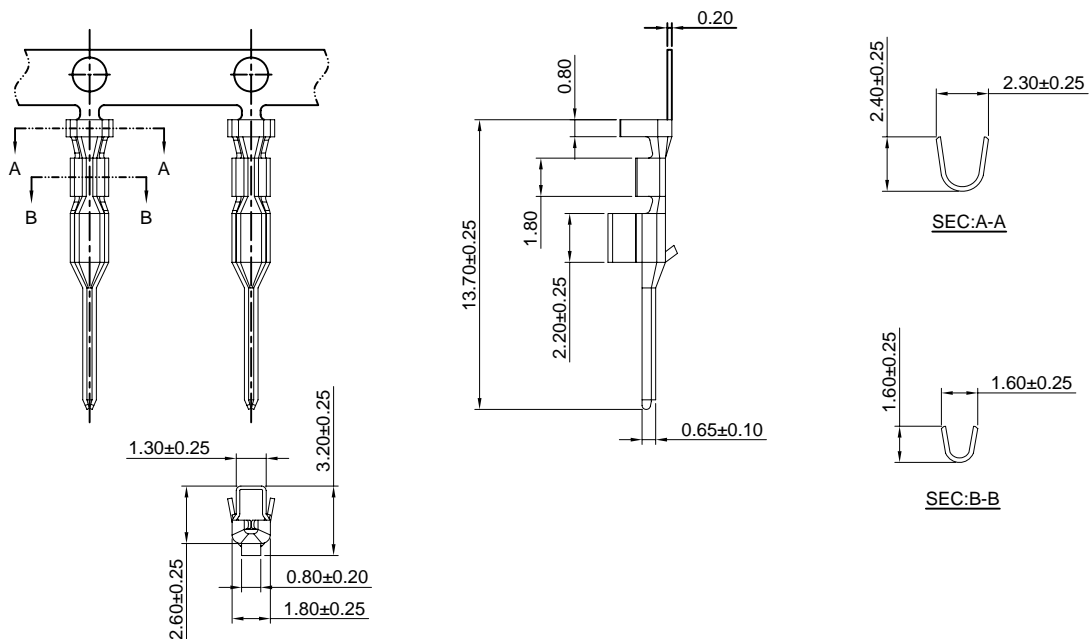
Optional Gold plating available but MOQ requested

C2521M-T-B

2.50mm pitch Crimp Terminal

Reference Informations:

*Used in CJT C2521HMB-XP series Housing



Ordering information & Specifications:

Unit:mm

Part NO.	Wire Range	Insulation O.D.	Material	Finish	Qty/reel
C2521M-TP-B	AWG#22-#28	1.80mm(max)	Phosphor Bronze	Tin over Nickel	10,000 PCS
C2521M-GP-B	AWG#22-#28	1.80mm(max)	Phosphor Bronze	Gold over Nickel	10,000 PCS

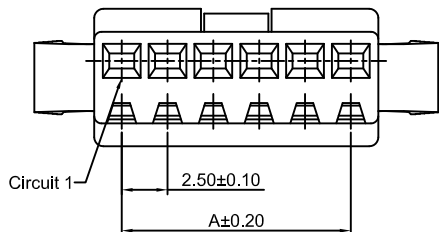
Optional Gold plating available but MOQ requested

C2521HF-XP

2.50mm Pitch Single Row Housing

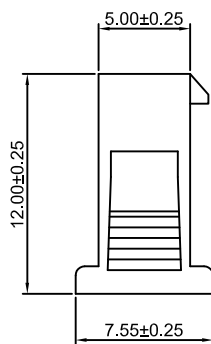
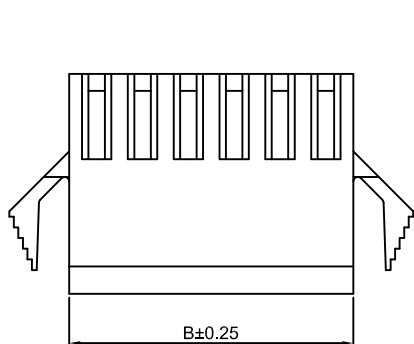
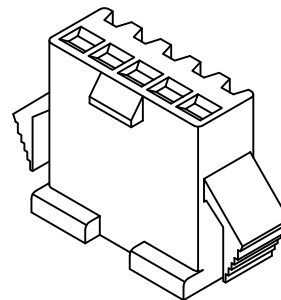
Reference Informations:

- *Material:Nylon 66,UL94V-0
- *Suitable CJT C2521F-T series Terminal
- *Mates with CJT C2521HM-XP series Housing and C2521SA-XP series Retainer
- *Color:Black



Ordering Information:
C2521HF-XP - *** - **
1 2 3

- 1.Part No.
- 2.Material:
(blank):Nylon 66,UL94V-0
GWT:Nylon 66,UL94V-0,GWT 750°C
- 3.Color:
(blank):Black
WH:White



Ordering Information & Dimensions:

PART NO.	Dimensions	
	A	B
2P	2.50	5.50
3P	5.00	8.00
4P	7.50	10.50
5P	10.00	13.00
6P	12.50	15.50
7P	15.00	18.00
8P	17.50	20.50
9P	20.00	23.00
10P	22.50	25.50
11P	25.00	28.00
12P	27.50	30.50

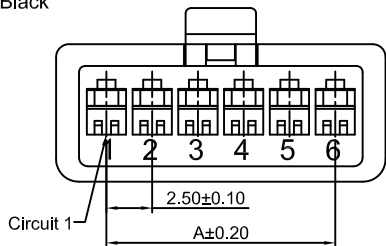
Unit: mm

C2521HM-XP

2.50mm Pitch Single Row Housing

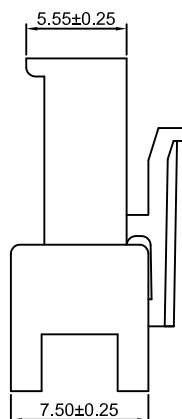
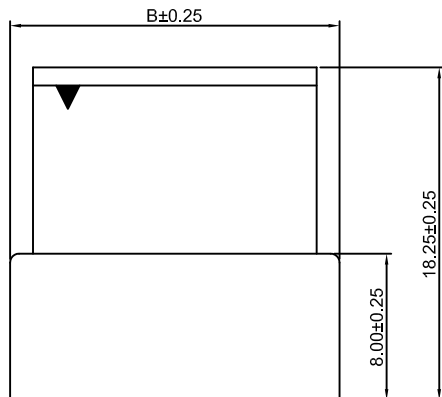
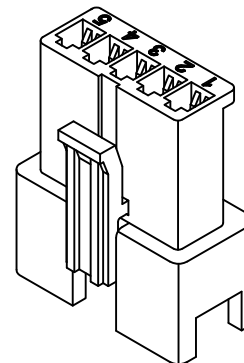
Reference Informations:

- *Material:Nylon 66,UL94V-0
- *Suitable CJT C2521M-T series Terminal
- *Mates with CJT C2521HF-XP series Housing and C2521S-XP,C2521HMI-XP series Retainer
- *Color:Black



Ordering Information:
C2521HM-XP - *** - **
1 2 3

- 1.Part No.
- 2.Material:
(blank):Nylon 66,UL94V-0
GWT:Nylon 66,UL94V-0,GWT 750°C
- 3.Color:
(blank):Black
WH:White



Ordering Information & Dimensions:

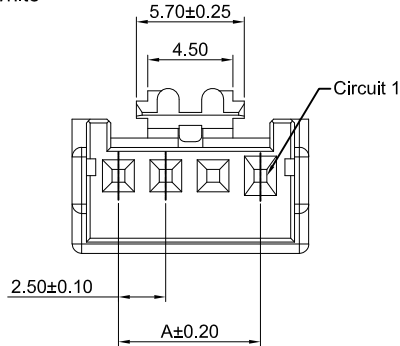
PART NO.	Dimensions	
	A	B
2P	2.50	8.00
3P	5.00	10.50
4P	7.50	13.00
5P	10.00	15.50
6P	12.50	18.00
7P	15.00	20.50
8P	17.50	23.00
9P	20.00	25.50
10P	22.50	28.00
11P	25.00	30.50
12P	27.50	33.00

Unit: mm

C2521HFB-XP — 2.50mm Pitch Single Row Housing

Reference Informations:

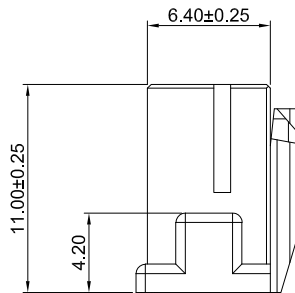
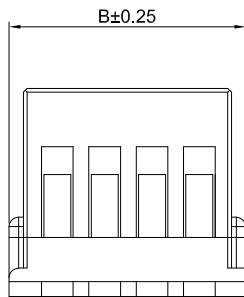
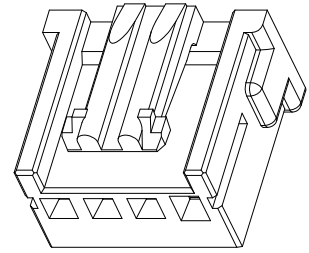
- *Material:Nylon 66,UL94V-0
- *Suitable CJT C2521F-T-B series Terminal
- *Mates with CJT C2521HMB-XP series Housing and C2521SB-XP series Retainer
- *Color:White



Ordering Information:

C2521HFB-XP - *** - **
1 2 3

- 1.Part No.
- 2.Material:
(blank):Nylon 66, UL94V-0
GWT:Nylon 66, UL94V-0,GWT 750°C
- 3.Color:
(blank):White
BK:Black
RD:Red
YL:Yellow
BL:Blue



Ordering Information & Dimensions:

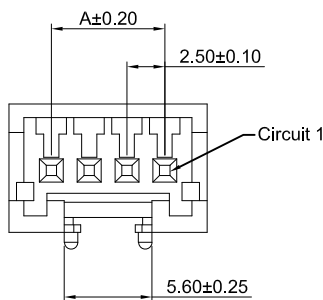
PART NO.	Dimensions	
	A	B
2P	2.50	7.50
3P	5.00	10.00
4P	7.50	12.50
5P	10.00	15.00
6P	12.50	17.50
7P	15.00	20.00
8P	17.50	22.50
9P	20.00	25.00
10P	22.50	27.50
11P	25.00	30.00
12P	27.50	32.50

Unit: mm

C2521HMB-XP — 2.50mm Pitch Single Row Housing

Reference Informations:

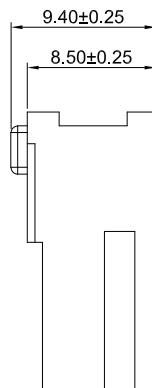
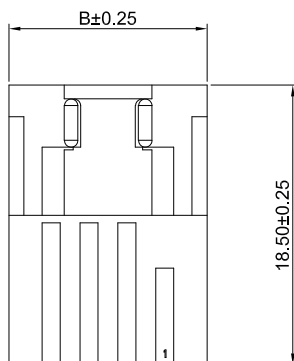
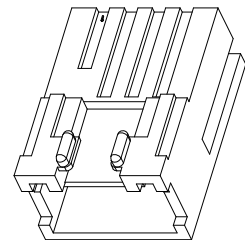
- *Material:Nylon 66,UL94V-0
- *Suitable CJT C2521M-T-B series Terminal
- *Mates with CJT C2521HFB-XP series Housing and C2521SB-XP series Retainer
- *Color:White



Ordering Information:

C2521HMB-XP - *** - **
1 2 3

- 1.Part No.
- 2.Material:
(blank):Nylon 66, UL94V-0
GWT:Nylon 66, UL94V-0,GWT 750°C
- 3.Color:
(blank):White
BK:Black
RD:Red
YL:Yellow
BL:Blue



Ordering Information & Dimensions:

PART NO.	Dimensions	
	A	B
2P	2.50	8.10
3P	5.00	10.60
4P	7.50	13.10
5P	10.00	15.60
6P	12.50	18.10
7P	15.00	20.60
8P	17.50	23.10
9P	20.00	25.60
10P	22.50	28.10
11P	25.00	30.60
12P	27.50	33.10

Unit: mm

C2521HF-2x9P

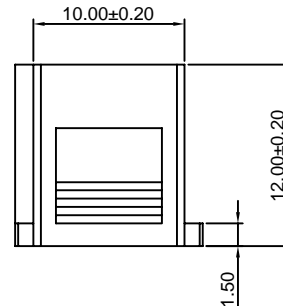
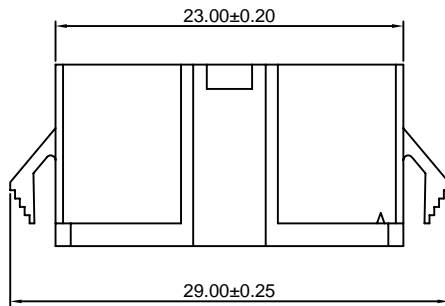
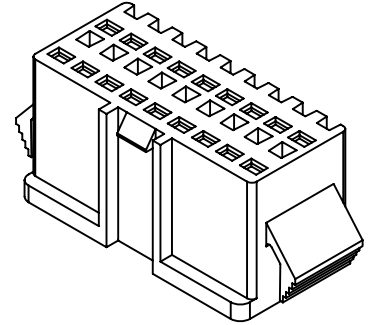
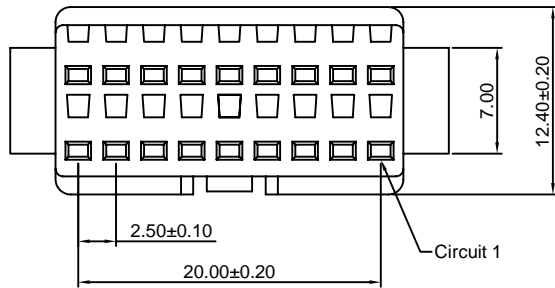
2.50mm Pitch Dual Row Housing

Reference Informations:

- *Material:Nylon 66,UL94V-0
- *Suitable CJT C2521F-T series Terminal
- *Mates with CJT C2521HM-2x9P series Housing
- *Color:Black

Ordering Information:
C2521HF-2x9P - *** - **
 1 2 3

- 1.Part No.
- 2.Material:
 (blank):Nylon 66,UL94V-0
 GWT:Nylon 66,UL94V-0,GWT 750°C
- 3.Color:
 (blank):Black
 WH:White



Unit: mm

C2521HM-2x9P

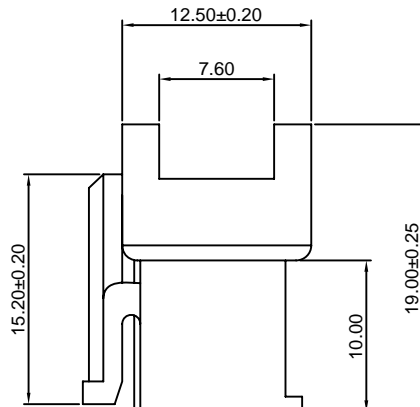
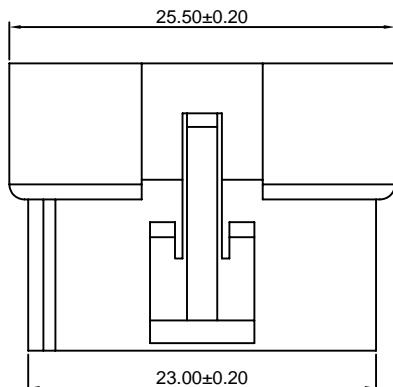
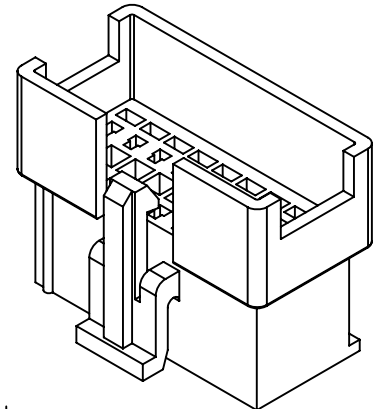
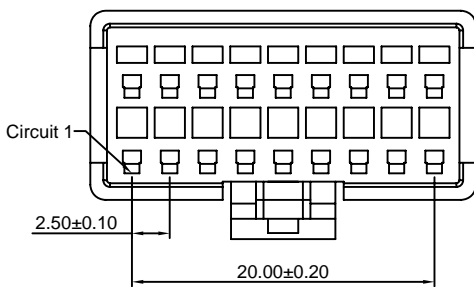
2.50mm Pitch Dual Row Housing

Reference Informations:

- *Material:Nylon 66,UL94V-0
- *Suitable CJT C2521M-T series Terminal
- *Mates with CJT C2521HF-2x9P series Housing
- *Color:Black

Ordering Information:
C2521HM-2x9P - *** - **
 1 2 3

- 1.Part No.
- 2.Material:
 (blank):Nylon 66,UL94V-0
 GWT:Nylon 66,UL94V-0,GWT 750°C
- 3.Color:
 (blank):Black
 WH:White



Unit: mm

C2521S-XP

2.50mm Pitch Retainer

Reference Informations:

- *Material:Nylon 66,UL94V-2
- *Mates with CJT C2521HF-XP,C2521HM-XP series Housing
- *Color:White

Ordering Information:

C2521S-XP - ***
1 2

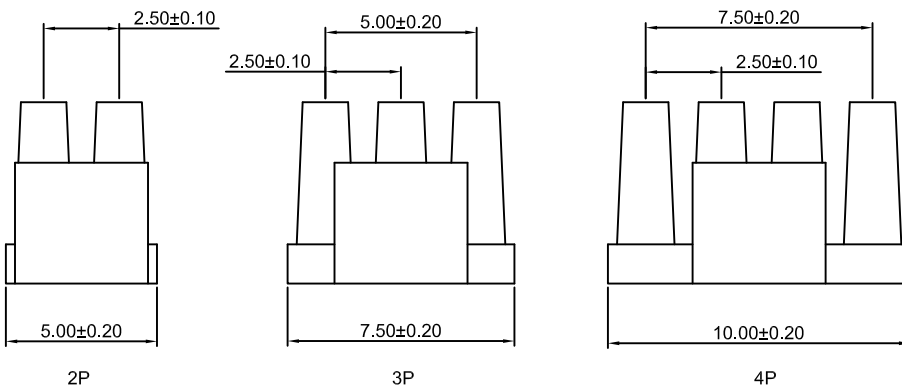
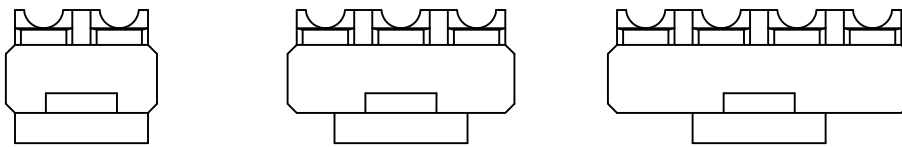
1.Part No.

2.Material:

(blank):Nylon 66,UL94V-2

V0:Nylon 66,UL94V-0

GWT:Nylon 66,UL94V-0,GWT 750°C



Unit: mm

C2521SB-XP

2.50mm Pitch Retainer

Reference Informations:

- *Material:Nylon 66,UL94V-2
- *Mates with CJT C2521HFB-XP,C2521HMB-XP series Housing
- *Color:White

Ordering Information:

C2521SB-XP - ***
1 2

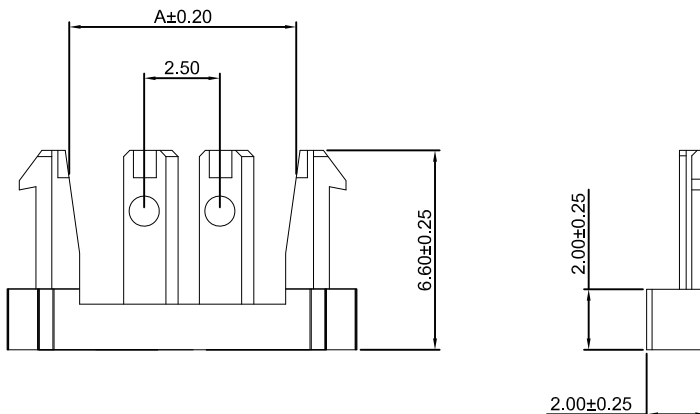
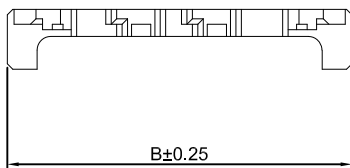
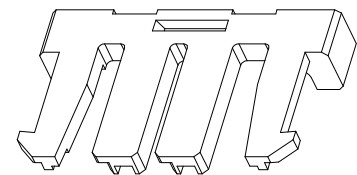
1.Part No.

2.Material:

(blank):Nylon 66,UL94V-2

V0:Nylon 66,UL94V-0

GWT:Nylon 66,UL94V-0,GWT 750°C



Ordering Information & Dimensions:

PART NO.	Dimensions	
	A	B
2P	2.50	6.40
3P	5.00	8.90
4P	7.50	11.40
5P	10.00	13.90
6P	12.50	16.40
7P	15.00	18.90
8P	17.50	21.40
9P	20.00	23.90
10P	22.50	26.40
11P	25.00	28.90
12P	27.50	31.40

Unit: mm

C2521HMI-XP

2.50mm Pitch Retainer

Reference Informations:

- *Material: Nylon 66, UL94V-2
- *Mates with CJT C2521HM-XP series Housing
- *Color: White

Ordering Information:

C2521HMI-XP - ***

1	2
---	---

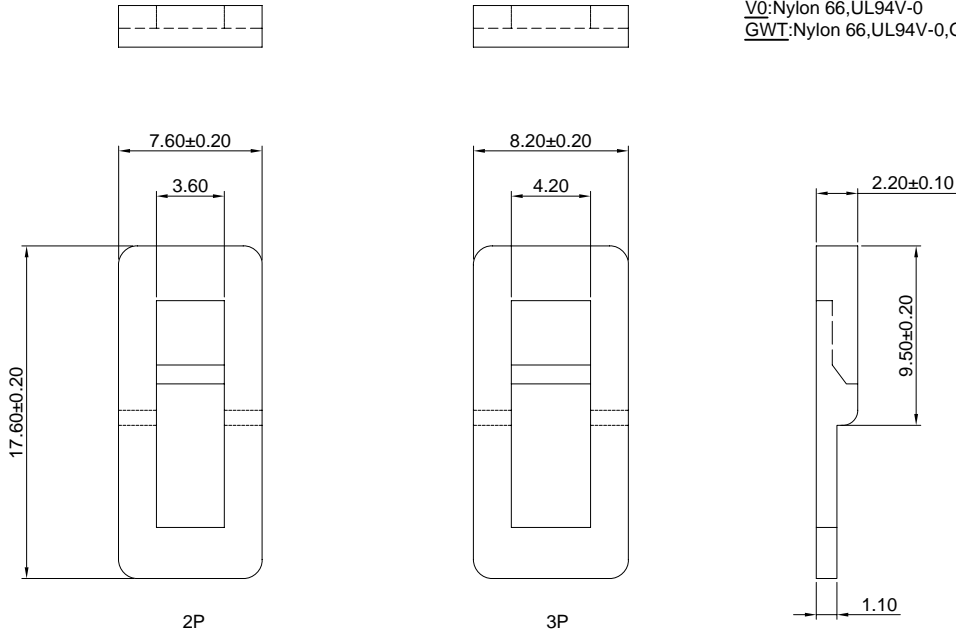
1. Part No.

2. Material:

(blank): Nylon 66, UL94V-2

V0: Nylon 66, UL94V-0

GWT: Nylon 66, UL94V-0, GWT 750°C



Unit: mm

C2521SA-XP

2.50mm Pitch Retainer

Reference Informations:

*Material:Nylon 66,UL94V-0

*Mates with CJT C2521HF-XP series Housing

*Color:Red

Ordering Information:

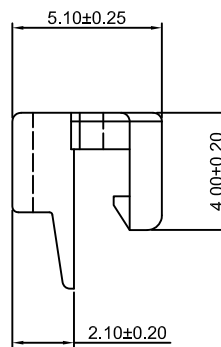
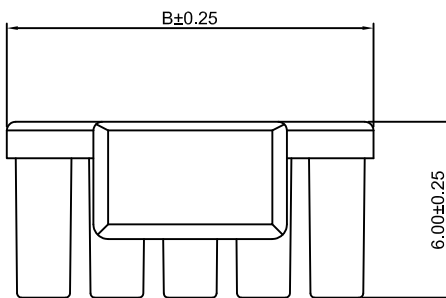
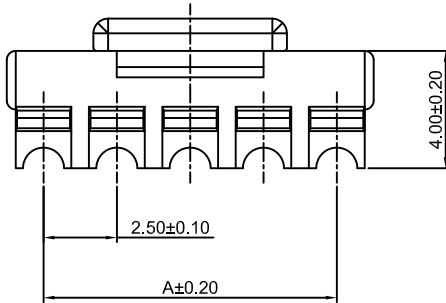
C2521SA-XP - ***
1 2

1.Part No.

2.Material:

(blank):Nylon 66,UL94V-0

GWT:Nylon 66,UL94V-0,GWT 750°C



Ordering Information & Dimensions:

PART NO.	Dimensions	
	A	B
2P	2.50	5.40
3P	5.00	7.50
4P	7.50	10.00
5P	10.00	12.50
6P	12.50	15.00
7P	15.00	17.50
8P	17.50	20.00
9P	20.00	22.50
10P	22.50	25.00
11P	25.00	27.50
12P	27.50	30.00

Unit: mm

单击下面可查看定价，库存，交付和生命周期等信息

[>>CJT\(长江连接器\)](#)