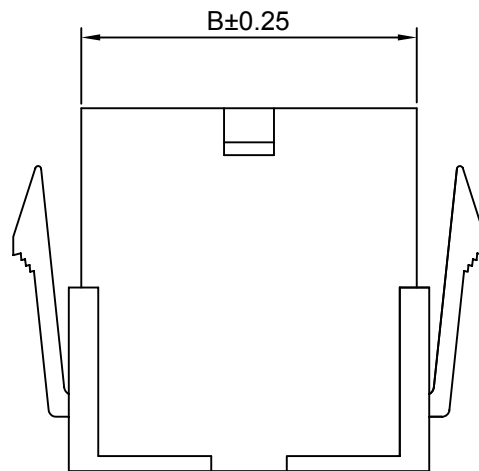


3P



2P,4P,5P~12P

Ordering Information:

C4201HM-XP - $\frac{**}{1}$ - $\frac{**}{2}$ - $\frac{**}{3}$

1.Part No.

2.Material:

(blank):Nylon 66 UL94V-2

V0:Nylon 66 UL94V-0

GWT:Nylon 66 UL94V-0,GWT 750°C

3.Color:

(blank):Natural

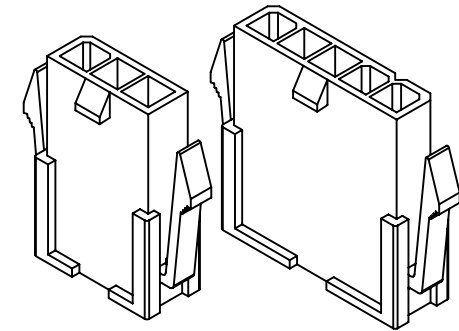
WH:White

BK:Black

RD:Red

YL:Yellow

BL:Blue



SPECIFICATIONS:

Current Rating: 9A AC,DC

Voltage Rating: 600V AC,DC

Temperature Range: -40°C ~ +105°C

Contact Resistance: 10mΩ Max

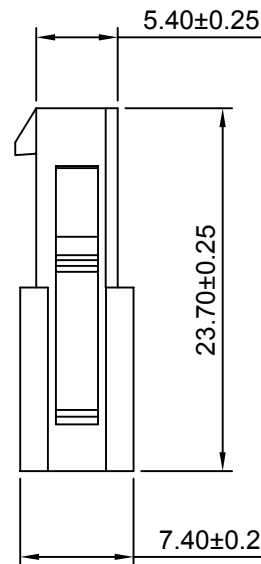
Insulation Resistance: 1000MΩ Min

Withstanding Voltage: 1500V AC/minute

Material: Nylon 66,UL94V-2(Natural)

Ordering Information & Dimensions

Circuits	Dimensions(mm)		Circuits	Dimensions(mm)	
	A	B		A	B
2P	4.20	9.80	8P	29.40	35.00
3P	8.40	14.00	9P	33.60	39.20
4P	12.60	18.20	10P	37.80	43.40
5P	16.80	22.40	11P	42.00	47.60
6P	21.00	26.60	12P	46.20	51.80
7P	25.20	30.80			



CJTconn

CHANGJIANG CONNECTORS CO.,LTD.

Unit: mm, Scale: 2:1, Sheet: 1 of 1

Draw BY: LIZQ, Approved: GONGYB

General Tolerance: x.x±0.25, x.xx±0.20, x.xxx±0.15, ANGLE±

Title: 4.20mm PITCH
Single Row Housing
DRAW NO: C4201HM-XP, REV A0

REV	DESCRIPTION	DATE
A0	NEW RELEEASE	2012.11.13

单击下面可查看定价，库存，交付和生命周期等信息

[>>CJTconn](#)