

**Ordering Information:**

A2541WV-S-F-2xXP - \*\*\* - \* - \*\*\*  
 1 2 3 4

1.Part No.

2.Size(H):

(blank): 2.54mm

H15: 1.50mm

H17: 1.70mm

H20: 2.00mm

H30: 3.00mm

3.Finish:

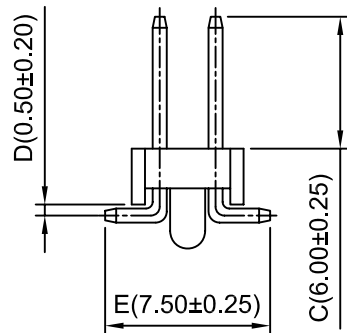
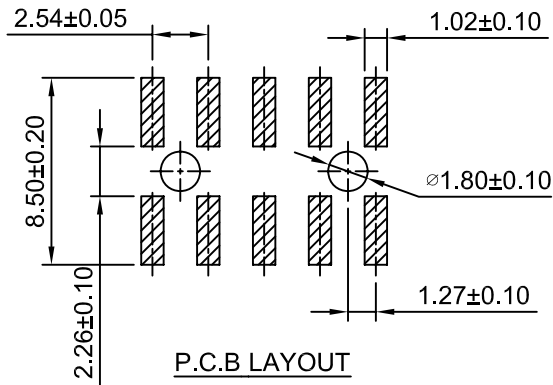
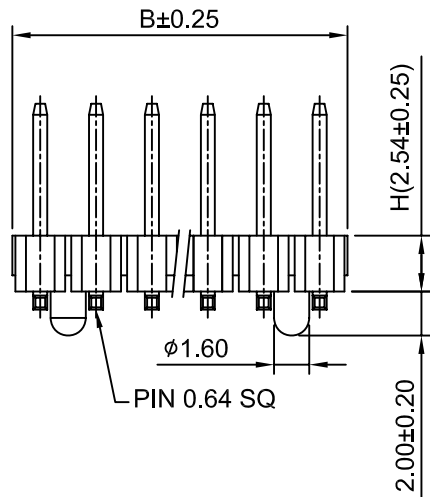
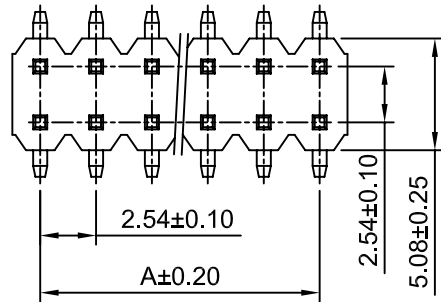
(blank): Gold over Nickel

T: Tin over Nickel

4.Material:

(blank): Nylon 6T,UL94V-0

GWT: Nylon 6T,UL94V-0,GWT 750°C



**SPECIFICATIONS:**

Current Rating: 3A AC,DC

Voltage Rating: 250V AC,DC

Temperature Range: -40°C ~ +105°C

Contact Resistance: 20mΩ Max

Insulation Resistance: 1000MΩ Min

Withstanding Voltage: 1500V AC/minute

Pin Material:Brass/Gold over Nickel

Material:Nylon 6T,UL94V-0(Black)

**Ordering Information & Dimensions**

Circuits	Dim(mm)		Circuits	Dim(mm)		Circuits	Dim(mm)	
	A	B		A	B		A	B
2x2P	2.54	5.08	2x15P	35.56	38.10	2x28P	68.58	71.12
2x3P	5.08	7.62	2x16P	38.10	40.64	2x29P	71.12	73.66
2x4P	7.62	10.16	2x17P	40.64	43.18	2x30P	73.66	76.20
2x5P	10.16	12.70	2x18P	43.18	45.72	2x31P	76.20	78.74
2x6P	12.70	15.24	2x19P	45.72	48.26	2x32P	78.74	81.28
2x7P	15.24	17.78	2x20P	48.26	50.80	2x33P	81.28	83.82
2x8P	17.78	20.32	2x21P	50.80	53.34	2x34P	83.82	86.36
2x9P	20.32	22.86	2x22P	53.34	55.88	2x35P	86.36	88.90
2x10P	22.86	25.40	2x23P	55.88	58.42	2x36P	88.90	91.44
2x11P	25.40	27.94	2x24P	58.42	60.96	2x37P	91.44	93.98
2x12P	27.94	30.48	2x25P	60.96	63.50	2x38P	93.98	96.52
2x13P	30.48	33.02	2x26P	63.50	66.04	2x39P	96.52	99.06
2x14P	33.02	35.56	2x27P	66.04	68.58	2x40P	99.06	101.60



CHANGJIANG CONNECTORS CO.,LTD.

Unit	Scale	Sheet
mm	3:1	1 of 1
Draw BY:	Approved :	
Tony Su	Jack Yin	

Title :  
**2.54mm PITCH  
 180° DUAL ROW PIN  
 HEADER - SMT TYPE**

General Tolerance		
x.xx≤0.25	ANGLE±	
x.xxx≤0.20	⊕ ⊖	
x.xxxx≤0.15		

DRAW NO : A2541WV-S-F-2xXP REV A0

A0	NEW RELEASE	2005.05.10
REV	DESCRIPTION	DATE

单击下面可查看定价，库存，交付和生命周期等信息

[>>CJTconn](#)