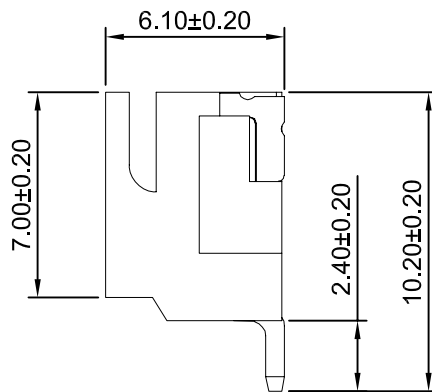
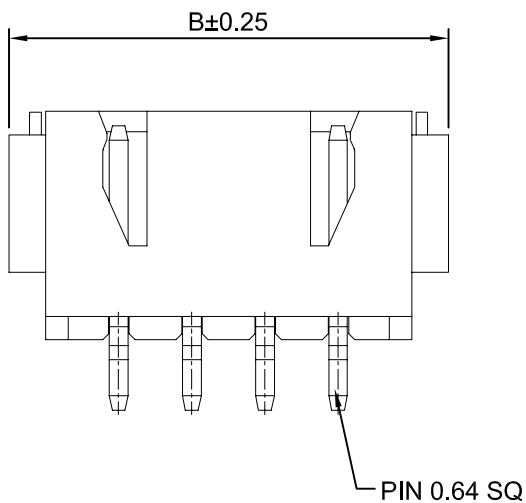


P.C.B LAYOUT



SPECIFICATIONS:

Current Rating: 3A AC,DC
 Voltage Rating: 250V AC,DC
 Temperature Range: -25°C ~ +105°C
 Contact Resistance: 20mΩ Max
 Insulation Resistance: 1000MΩ Min
 Withstanding Voltage: 1000V AC/minute
 Pin Material: Brass/Tin over Nickel
 Solder Tabs: Phosphor Bronze/Tin over Nickel
 Material: LCP,UL94V-0(Beige)

Ordering Information & Dimensions

Circuits	Dimensions(mm)		Circuits	Dimensions(mm)	
	A	B		A	B
2P	2.50	10.00	10P	22.50	30.00
3P	5.00	12.50	11P	25.00	32.50
4P	7.50	15.00	12P	27.50	35.00
5P	10.00	17.50	13P	30.00	37.50
6P	12.50	20.00	14P	32.50	40.00
7P	15.00	22.50	15P	35.00	42.50
8P	17.50	25.00	16P	37.50	45.00
9P	20.00	27.50			



CHANGJIANG CONNECTORS CO.,LTD.

Unit	Scale	Sheet
mm	4:1	1 of 1
Draw BY:	Approved :	
LIZQ	GONGYB	

Title :
2.50mm PITCH
90° WAFER - SMT TYPE

REV	DESCRIPTION	DATE	General Tolerance	ANGLE±
A1	Modify the material	2016.03.16	x.x≤0.25	
A0	NEW RELEESE	2005.05.10	x.xx≤0.20	
			x.xxx≤0.15	

DRAW NO : A2501WR-S-XP REV A1

单击下面可查看定价，库存，交付和生命周期等信息

[>>CJTconn](#)