

P.C.B LAYOUT
TOLERANCE:±0.05

Ordering Information:

A1257WV-S-XP-LCP - **
1 2

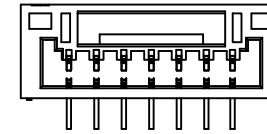
1.Part NO.

2.Finish:

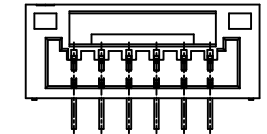
(Blank): Tin over Nickel (Sn:≥80µin,Ni :≥30µin)

G: Gold over Nickel

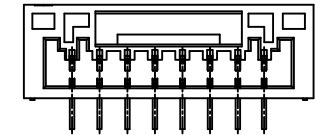
G3: Gold over Nickel(Au:3µin,Mating area)



7P



2P~6P



8P~11P

SPECIFICATIONS:

Current Rating: 1A AC,DC

Voltage Rating: 50V AC,DC

Temperature Range: -40°C ~ +105°C

Contact Resistance: 30mΩ Max.

Insulation Resistance: 100MΩ Min.

Withstanding Voltage: 500V AC/minute

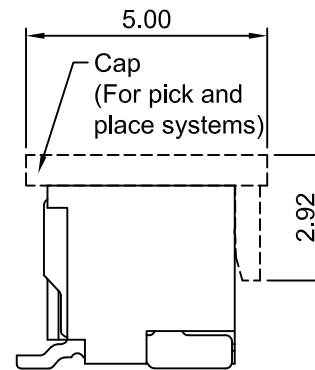
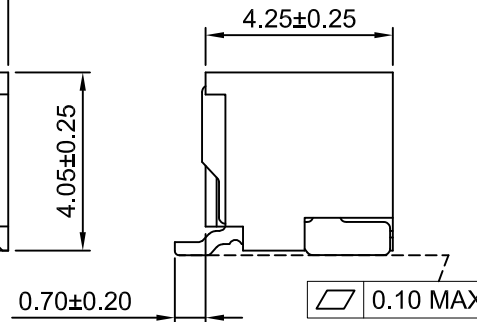
Pin Material: Phosphor Bronze

Solder tabs: Phosphor Bronze/Tin over Nickel

Material: LCP,UL94V-0(Ivory)

Ordering Information & Dimensions

Part NO.	Dimensions(mm)			
	A	B	C	D
A1257WV-S-2P-LCP	1.25	5.75	3.75	0.75
A1257WV-S-3P-LCP	2.50	7.00	5.00	1.60
A1257WV-S-4P-LCP	3.75	8.25	6.25	2.65
A1257WV-S-5P-LCP	5.00	9.50	7.50	2.50
A1257WV-S-6P-LCP	6.25	10.75	8.75	4.65
A1257WV-S-7P-LCP	7.50	12.00	10.00	4.65
A1257WV-S-8P-LCP	8.75	13.25	11.25	4.65
A1257WV-S-9P-LCP	10.00	14.50	12.50	4.65
A1257WV-S-10P-LCP	11.25	15.75	13.75	6.60
A1257WV-S-11P-LCP	12.50	17.00	15.00	6.60
A1257WV-S-12P-LCP	13.75	18.25	16.25	6.60
A1257WV-S-13P-LCP	15.00	19.50	17.50	6.60
A1257WV-S-14P-LCP	16.25	20.75	18.75	6.60
A1257WV-S-15P-LCP	17.50	22.00	20.00	6.60



A3	ADD THE INFORMATION	2021.11.23
A2	ADD THE INFORMATION	2021.09.17
A1	ADD THE INFORMATION	2020.06.03
A0	NEW RELEASE	2016.09.08
REV	DESCRIPTION	DATE

CJTconn CHANGJIANG CONNECTORS CO.,LTD.

Unit	Scale	Sheet	TITLE
mm	6:1	1 of 1	1.25mm PITCH VERTICAL SINGLE ROW WAFER - SMD TYPE
DRN	CHK	APVD	DRAWING NO
Wenmin Luo	DianKui Wan	Jack Yin	A1257WV-S-XP-LCP
General Tolerance	THIRD ANGLE PROJECTION		REV
x.xx±0.25 x.xxx±0.20 x.xxxx±0.15 ANGLES ±1°			A3

单击下面可查看定价，库存，交付和生命周期等信息

[>>CJTconn\(长江连接器\)](#)