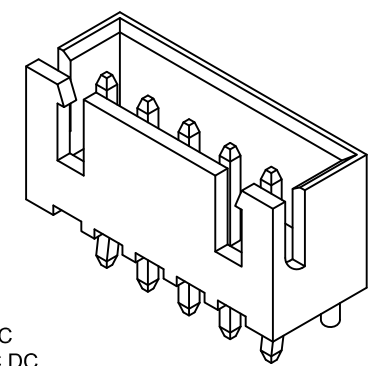
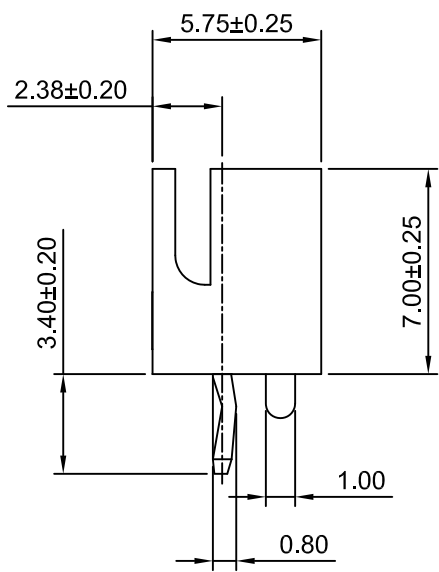
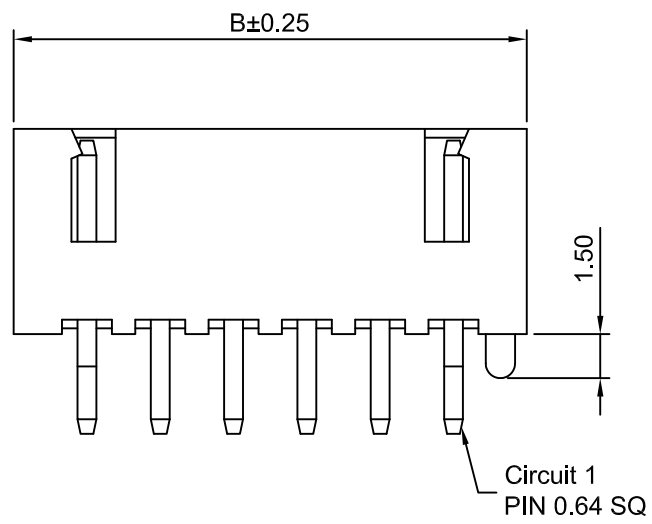


P.C.B LAYOUT



SPECIFICATIONS:

Current Rating: 3A AC,DC
 Voltage Rating: 250V AC,DC
 Temperature Range: -40°C ~ +105°C
 Contact Resistance: 10mΩ Max
 Insulation Resistance: 1000MΩ Min
 Withstanding Voltage: 1000V AC/minute
 Pin Material: Brass/Tin over Nickel
 Material: Nylon 66,UL94V-0(White)

Ordering Information & Dimensions

Circuits	Dimensions(mm)		Circuits	Dimensions(mm)	
	A	B		A	B
2P	2.50	7.50	12P	27.50	32.50
3P	5.00	10.00	13P	30.00	35.00
4P	7.50	12.50	14P	32.50	37.50
5P	10.00	15.00	15P	35.00	40.00
6P	12.50	17.50	16P	37.50	42.50
7P	15.50	20.00	17P	40.00	45.00
8P	17.50	22.50	18P	42.50	47.50
9P	20.00	25.00	19P	45.00	50.00
10P	22.50	27.50	20P	47.50	52.50
11P	25.00	30.00			



CHANGJIANG CONNECTORS CO.,LTD.

Unit	Scale	Sheet
mm	4:1	1 of 1
Draw BY:	Approved :	
Tony Su	Jack Yin	

Title :
2.50mm PITCH
180° WAFER-WITH NOSS

REV	DESCRIPTION	DATE	General Tolerance	ANGLE±
A0	NEW RELEASE	2005.05.10	x.xx≤0.25 x.xxx≤0.20 x.xxxx≤0.15	

DRAW NO : **A2501WV-F-XP** REV **A0**

单击下面可查看定价，库存，交付和生命周期等信息

[>>CJTconn](#)