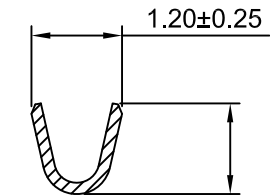
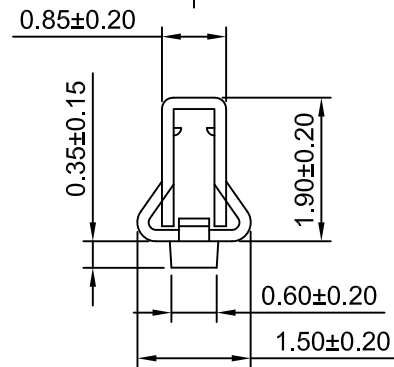


SEC: A-A



SEC: B-B



SEC: C-C

Ordering information & Specifications

Unit:mm

| Part No | Wire Range | Insulation O.D. | Material | Finish | Qty/reel |
|----------|------------|-----------------|-----------------|------------------|------------|
| A2010-TP | AWG#24-#30 | 1.40mm(max) | Phosphor Bronze | Tin over Nickel | 10,000 PCS |
| A2010-GP | AWG#24-#30 | 1.40mm(max) | Phosphor Bronze | Gold over Nickel | 10,000 PCS |

CJTconn

CHANGJIANG CONNECTORS CO.,LTD.

| | | |
|------|-------|--------|
| Unit | Scale | Sheet |
| mm | 10:1 | 1 of 1 |

Title : 2.00mm Pitch

| | |
|-------------|------------|
| Draw By: | Approved : |
| Diankui Wan | Jack Yin |

Crimp Terminal

General Tolerance

| REV | DESCRIPTION | DATE |
|-----|----------------|------------|
| A1 | MODIFY DRAWING | 2019.11.19 |
| A0 | NEW RELEASE | 2005.05.10 |

| | |
|------------|---------|
| x.xx±0.25 | PROJECT |
| x.xx±0.20 | |
| x.xxx±0.15 | |

| | | | |
|-----------|---------|-----|----|
| DRAW NO : | A2010-T | REV | A1 |
|-----------|---------|-----|----|

单击下面可查看定价，库存，交付和生命周期等信息

[>>CJTconn](#)