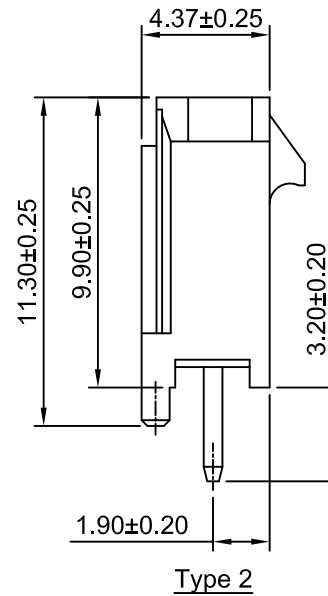
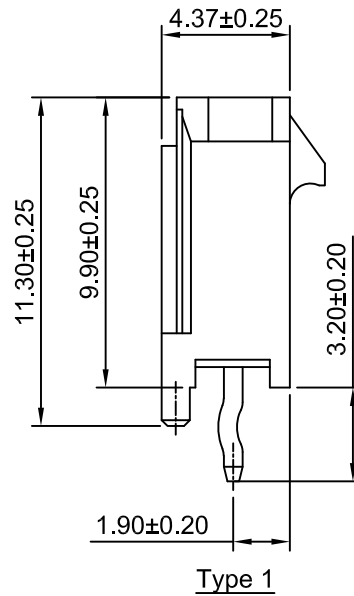
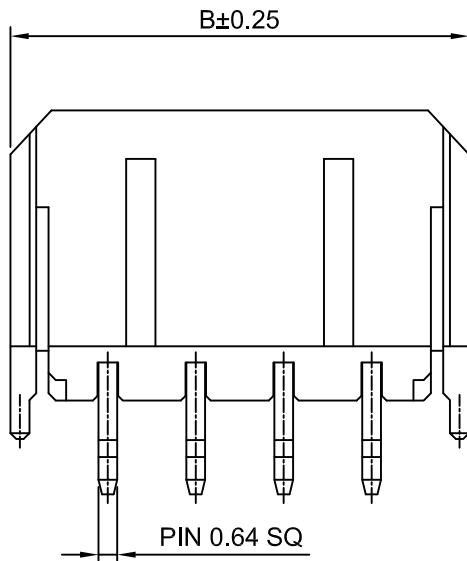
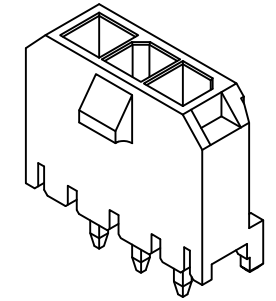


**Ordering Information:**

C3030WV-XP - \*\*\* - \*\*\* - \*\*\*  
 1 2 3 4

- 1.Part NO.
- 2.Style:  
 (Blank): Type 1  
 2: Type 2
- 3.Material:  
 (Blank): Nylon 66, UL94V-0  
 LCP: LCP, UL94V-0  
 GWT: Nylon 66,UL94V-0,IEC 60335-1,  
 5th Edition Glow Wire Capable.
- 4.Finish:  
 (Blank): Tin over Nickel  
 G: Gold over Nickel(Au:1u")  
 G3: Gold over Nickel(Au:3u")  
 G15: Gold over Nickel(Au:15u",Mating area)  
 G30: Gold over Nickel(Au:30u",Mating area)

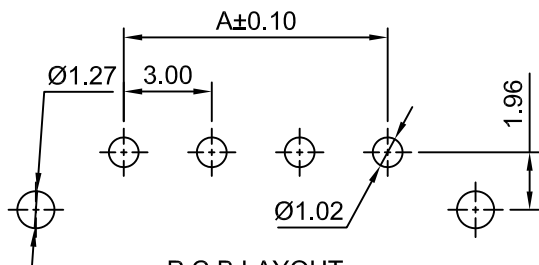


**SPECIFICATIONS:**

Current Rating: 12.5A AC,DC (AWG#18)  
 Voltage Rating: 600V AC,DC  
 Temperature Range: -40°C ~ +105°C  
 Contact Resistance: 10mΩ Max  
 Insulation Resistance: 1000MΩ Min  
 Withstanding Voltage: 1500V AC/minute  
 Pin Material:Brass/Tin over Nickel  
 Material: Nylon 66,UL94V-0(Black)

**Ordering Information & Dimensions**

Part NO.	Dimensions(mm)	
	A	B
C3030WV-2P	3.00	9.65
C3030WV-3P	6.00	12.65
C3030WV-4P	9.00	15.65
C3030WV-5P	12.00	18.65
C3030WV-6P	15.00	21.65
C3030WV-7P	18.00	24.65
C3030WV-8P	21.00	27.65
C3030WV-9P	24.00	30.65
C3030WV-10P	27.00	33.65
C3030WV-11P	30.00	36.65
C3030WV-12P	33.00	39.65



**P.C.B LAYOUT**  
 TOLERANCE:±0.05

**CJTconn** CHANGJIANG CONNECTORS CO.,LTD.

REV	DESCRIPTION	DATE	Unit	Scale	Sheet
A6	CHANGE THE DRAWING	2022.01.14	mm	4:1	1 of 1
A5	MODIFY DRAWING	2021.09.18			
A4	CHANGE THE VOLTAGE RATING	2019.11.12	DRWN	CHK'D	APPR
A3	CHANGE THE CURRENT RATING	2018.12.26	Xu Lei	Diankui Wan	Jack Yin
A2	CHANGE THE SIZE	2017.01.12	General Tolerances		THIRD ANGLE PROJECTION
A1	CHANGE THE DRAWING	2016.11.24	x.x±0.25		
A0	NEW RELEASE	2005.05.10	x.xx±0.20		
			x.xxx±0.15		
			ANGLES ±1°		

TITLE	
3.00mm PITCH VERTICAL SINGLE ROW HEADER	
DRAWING NO.	REV
C3030WV-XP	A6

单击下面可查看定价，库存，交付和生命周期等信息

[>>CJTconn](#)