

Ordering Information:  
**A2547WR-S-F-XP-LCP - \*\*\***  
 1 2

1.Part NO.

2.Finish:

(Blank): Gold Flash (Au:1u")

G15: Gold over Nickel (15u" select gold in contact area;  
 80u" min matte Tin on solder tail.)

G30: Gold over Nickel (30u" select gold in contact area;  
 80u" min matte Tin on solder tail.)

T: Tin over Nickel

**SPECIFICATIONS:**

Current Rating: 3A AC,DC

Voltage Rating: 250V AC,DC

Temperature Range: -40°C ~ +105°C

Contact Resistance: 20mΩ Max

Insulation Resistance: 1000MΩ Min

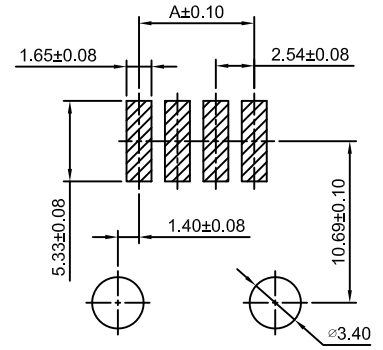
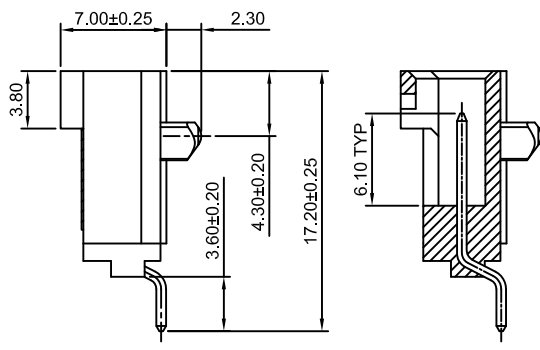
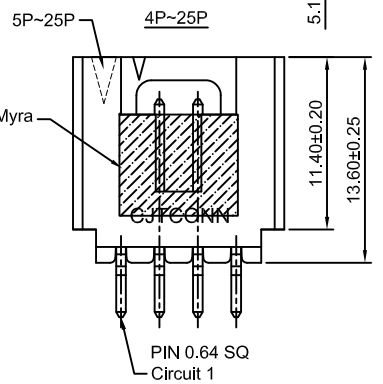
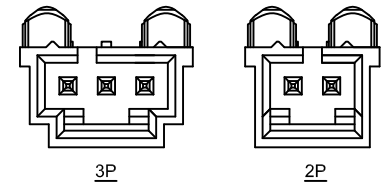
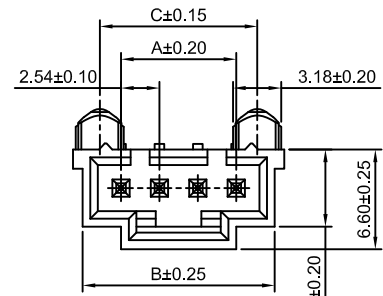
Withstanding Voltage: 1500V AC/minute

Pin Material: Brass

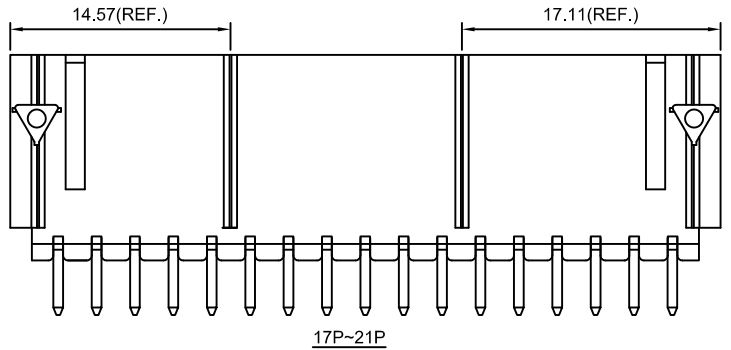
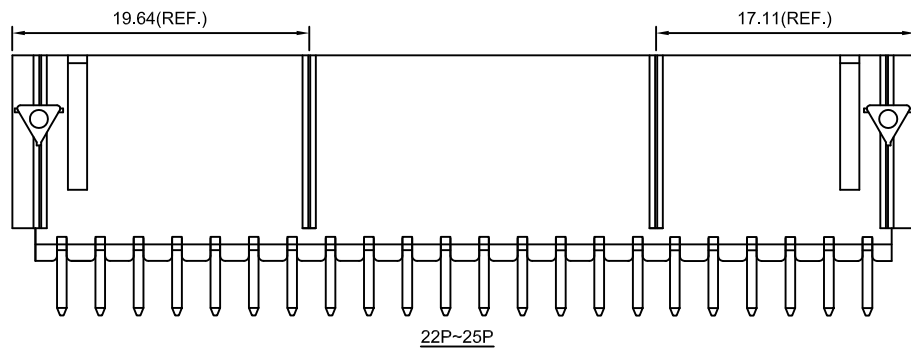
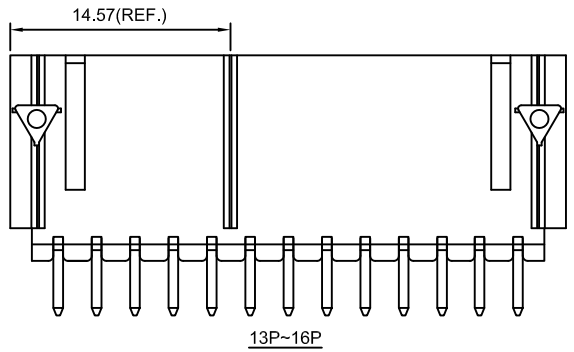
Material: LCP,UL94V-0(Black)

**Ordering Information & Dimensions**

Circuits	Dimensions(mm)		
	A	B	C
A2547WR-S-F-2P-LCP	2.54	7.62	5.07
A2547WR-S-F-3P-LCP	5.08	10.16	7.87
A2547WR-S-F-4P-LCP	7.62	12.70	10.41
A2547WR-S-F-5P-LCP	10.16	15.24	12.95
A2547WR-S-F-6P-LCP	12.70	17.78	15.49
A2547WR-S-F-7P-LCP	15.24	20.32	18.03
A2547WR-S-F-8P-LCP	17.78	22.86	20.57
A2547WR-S-F-9P-LCP	20.32	25.40	23.11
A2547WR-S-F-10P-LCP	22.86	27.94	25.65
A2547WR-S-F-11P-LCP	25.40	30.48	28.19
A2547WR-S-F-12P-LCP	27.94	33.02	30.73
A2547WR-S-F-13P-LCP	30.48	35.56	33.27
A2547WR-S-F-14P-LCP	33.02	38.10	35.81
A2547WR-S-F-15P-LCP	35.56	40.64	38.35
A2547WR-S-F-16P-LCP	38.10	43.18	40.89
A2547WR-S-F-17P-LCP	40.64	45.72	43.43
A2547WR-S-F-18P-LCP	43.18	48.26	45.97
A2547WR-S-F-19P-LCP	45.72	50.80	48.51
A2547WR-S-F-20P-LCP	48.26	53.34	51.05
A2547WR-S-F-21P-LCP	50.80	55.88	53.59
A2547WR-S-F-22P-LCP	53.34	58.42	56.13
A2547WR-S-F-23P-LCP	55.88	60.96	58.67
A2547WR-S-F-24P-LCP	58.42	63.50	61.21
A2547WR-S-F-25P-LCP	60.96	66.04	63.75



P.C.B LAYOUT  
 TOLERANCE:±0.05



**CJT** CHANGJIANG CONNECTORS CO.,LTD.

Unit	Scale	Sheet
mm	2:1	1 of 1
DRWN	CHK'D	APPR
Wenmin Luo	Diankui Wan	Jack Yin
General Tolerances		
x.xx±0.25		
x.xxx±0.20		
x.xxxx±0.15		
ANGLES ±1°		

TITLE	
2.54mm PITCH RIGHT-ANGLE WAFER - SMT TYPE	
DRAWING NO.	REV
A2547WR-S-F-XP-LCP	A4

REV	DESCRIPTION	DATE
A4	MODIFY DRAWING	2022.10.13
A3	CHANGE THE DRAWING	2022.01.14
A2	CHANGE THE MATERIAL	2019.04.08
A1	CHANGE THE DRAWING	2018.06.11
A0	NEW RELEASE	2005.07.01

单击下面可查看定价，库存，交付和生命周期等信息

[>>CJTconn\(长江连接器\)](#)