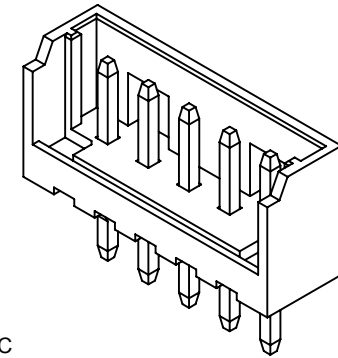


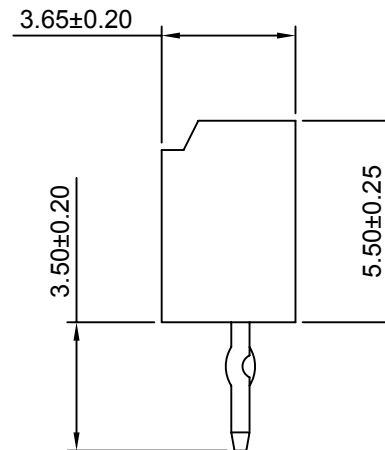
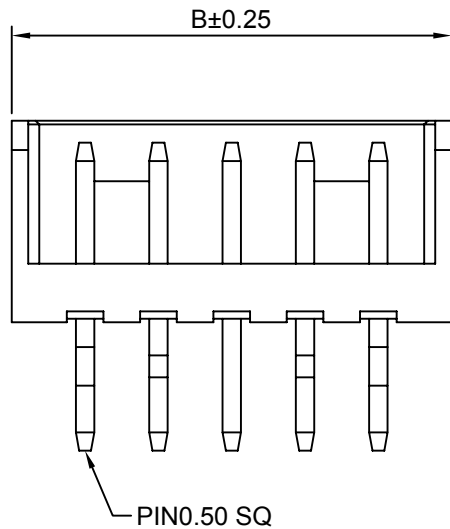
P.C.B LAYOUT



SPECIFICATIONS:

Current Rating: 2A AC,DC
 Voltage Rating: 100V AC,DC
 Temperature Range: -40°C ~ +105°C
 Contact Resistance: 10mΩ Max.
 Insulation Resistance: 1000MΩ Min.
 Withstanding Voltage: 800V AC/minute
 Pin Material: Brass/Tin over Nickel
 Material: Nylon 66,UL94V-0(White)

Ordering Information & Dimensions



Circuits	Dimensions(mm)		Circuits	Dimensions(mm)	
	A	B		A	B
2P	2.00	6.00	11P	20.00	24.00
3P	4.00	8.00	12P	22.00	26.00
4P	6.00	10.00	13P	24.00	28.00
5P	8.00	12.00	14P	26.00	30.00
6P	10.00	14.00	15P	28.00	32.00
7P	12.00	16.00	16P	30.00	34.00
8P	14.00	18.00	17P	32.00	36.00
9P	16.00	20.00	18P	34.00	38.00
10P	18.00	22.00			



CHANGJIANG CONNECTORS CO.,LTD.

Unit	Scale	Sheet
mm	5:1	1 of 1

Title :
2.00mm PITCH
180° WAFER

Draw BY:	Approved :
LIZQ	GONGYB

General Tolerance

x.x≤0.25	ANGLE±
x.xx≤0.20	
x.xxx≤0.15	

DRAW NO : **A2010WV-XP** REV A0

A0	NEW RELEESE	2005.05.10
REV	DESCRIPTION	DATE

单击下面可查看定价，库存，交付和生命周期等信息

[>>CJTconn](#)