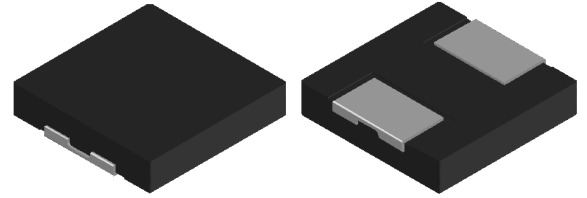


CMI-MMPP6012HL-SERIES

Features

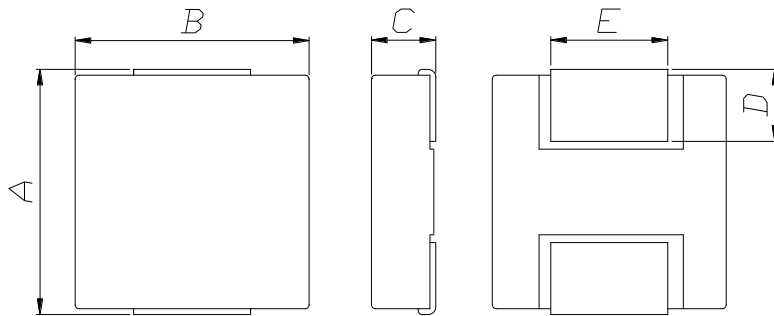
- ▶ High current and low profile
- ▶ Metal powder molding type for EMC protection.
- ▶ Available tape and reel for auto insertion.
- ▶ Halogen-Free / RoHS compliant.



Applications

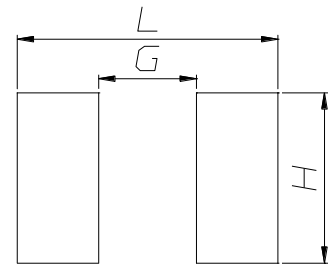
- ▶ For DC/DC converter, AV equipment digital consumer electronics

Dimension (Unit:mm)



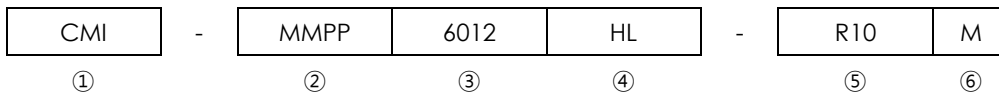
A	B	C	D	E
6.0±0.35	6.0±0.2	1.2 Max	1.8±0.2	4.0±0.2

Land Pattern (Unit:mm)



L	G	H
6.4	2.4	4.2

Regulation of part number



- ① CoilMaster's initial
- ② Series Name : Magic Material Pin type Power inductor
- ③ Core Size (unit:mm)
- ④ Material
- ⑤ Typical inductance value (0.1uH)
- ⑥ Inductance tolerance (±20%)

• You can also contact us by e-mail : coilmaster@coilmaster.com
 • All specifications are subject to change without notice.
 • Update date : 2020.09.17

Specifications

Part Number	Inductance (uH) ±20%	DCR(mohm) Max(Typ)	IDC1(A) Max(Typ)	IDC2(A) Max(Typ)	Test Frequency (Hz)
CMI-MMPP6012HL-R10M	0.10	5.4(4.5)	30.00(32.00)	13.00(14.00)	1M
CMI-MMPP6012HL-R15M	0.15	6.6(5.5)	25.00(27.00)	11.00(12.00)	1M
CMI-MMPP6012HL-R47M	0.47	14.4(12.0)	12.00(14.00)	8.00(9.00)	1M
CMI-MMPP6012HL-1R0M	1.0	30.0(25.0)	9.00(10.00)	5.80(6.00)	1M
CMI-MMPP6012HL-2R2M	2.2	72.0(60.0)	6.00(7.00)	4.50(4.80)	1M
CMI-MMPP6012HL-3R3M	3.3	108(90.0)	5.00(5.50)	3.00(3.20)	1M
CMI-MMPP6012HL-4R7M	4.7	132(110)	4.00(4.50)	2.50(2.70)	1M
CMI-MMPP6012HL-6R8M	6.8	192(160)	3.50(4.00)	2.10(2.30)	1M
CMI-MMPP6012HL-100M	10	312(260)	2.70(3.00)	1.80(1.90)	1M

- IDC1: When based on the inductance change rate (approximately 30% below in the initial value)
- IDC2: When based on the temperature increase (Temperature increase of approximately 40°C by self heating)
- Operating Temperature Range(including self temperature) : -40°C ~ +125 °C

Note 1 : Circuit design, component placement, PCB trace size and thickness, airflow and other cooling. Provision all affect the part Temperature. Part temperature should be verified in the end application.

• You can also contact us by e-mail : coilmaster@coilmaster.com

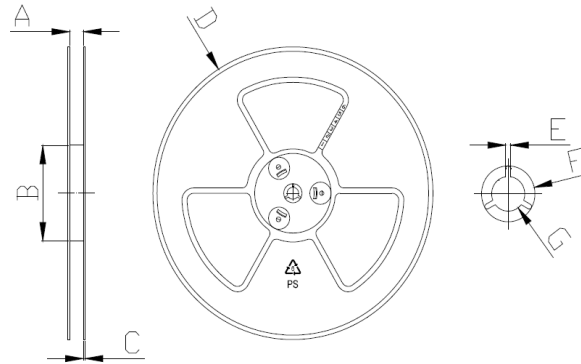
- All specifications are subject to change without notice.
- Update date : 2020.09.17

www.coilmaster.com

Packaging

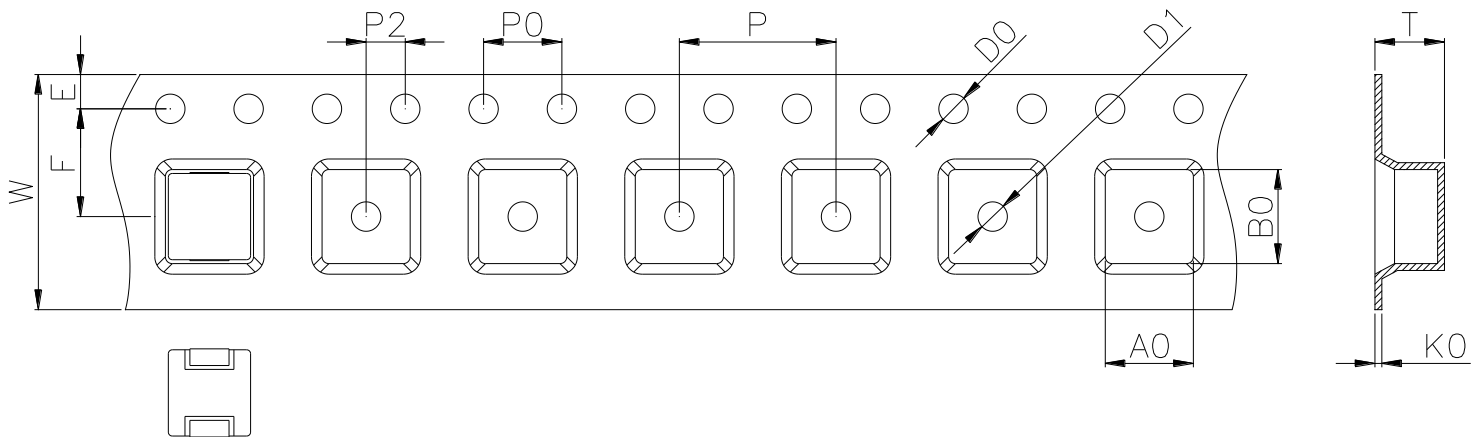
(1) Package quantity : 4,000 (pcs/reel)

(2) Reel Dimensions (unit:mm)



A	B	C	D	E	F	G
16.50	100.0	2.00	330.0	2.30	21.50	13.00
+0.50	+1.00	+0.10	+3.00	+0.30	+0.30	+0.50
-0.50	-1.00	-0.10	-3.00	-0.30	-0.30	-0.20

(3) Tape Dimensions



W	A0	B0	K0	E	F	P	P0	P2	D0/D1	T
16.00	6.35	6.50	1.40	1.75	7.50	8.00	4.00	2.00	1.50	0.30
+0.30	+0.10	+0.10	+0.10	+0.10	+0.10	+0.10	+0.10	+0.10	+0.10	+0.05
-0.30	-0.10	-0.00	-0.10	-0.10	-0.10	-0.10	-0.10	-0.10	-0.00	-0.05

Ilisan Sales Office (KOREA) +82)31-904-1444
 Shenzhen Sales Office (CHINA) +86)755-8663-6929
 Hungary Sales office (EUROPE) +36)30-913-7706

H.K Sales Office (HONGKONG) +852)2711-5551
 LA Sales Office (USA) +1)866-446-3586

• You can also contact us by e-mail : coilmaster@coilmaster.com

- All specifications are subject to change without notice.
- Update date : 2020.09.17

www.coilmaster.com

单击下面可查看定价，库存，交付和生命周期等信息

[>>coilmaster\(卡尔马斯特\)](#)