

# CMI-CMMPP4020HL-SERIES



## Features

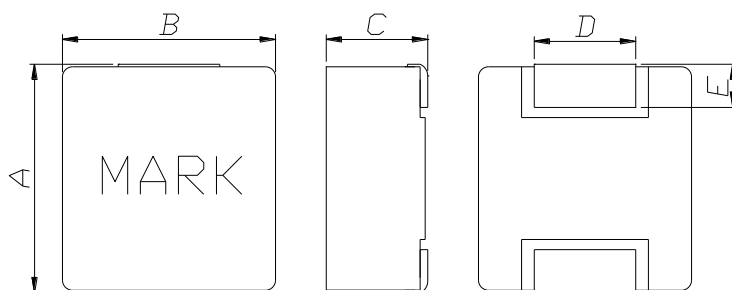
- ▶ Small size, high current and low profile
- ▶ Metal powder molding type for EMC protection.
- ▶ Available tape and reel for auto insertion.
- ▶ Halogen-Free / RoHS compliant.
- ▶ AEC-Q200 qualified.

## Applications

- ▶ Equipment using for automobiles (ECM, airbags, headlights, electronic Powder steering, motors, ABS, other)

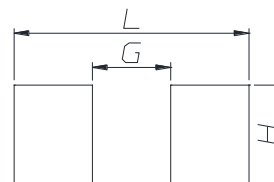


Dimension (Unit:mm)



A	B	C	D	E
4.4±0.35	4.2±0.25	2.0 Max	2.0±0.2	0.8±0.2

Land Pattern (Unit:mm)



L	G	H
4.8	1.6	2.0

## Specifications

Part Number	Inductance (uH) ±20%	DCR(mohm) Max(Typ)	Isat(A) Max(Typ)	Itemp(A) Max(Typ)	Test Frequency (Hz)
CMI-CMMPP4020HL-1R0M	1.0	30(25)	10.00(11.00)	5.00(5.50)	1M
CMI-CMMPP4020HL-2R2M	2.2	57.6(48)	7.00(7.50)	4.00(4.20)	1M
CMI-CMMPP4020HL-3R3M	3.3	72(60)	5.50(6.00)	3.70(3.90)	1M
CMI-CMMPP4020HL-4R7M	4.7	120(100)	3.20(3.40)	2.80(3.00)	1M
CMI-CMMPP4020HL-6R8M	6.8	144(120)	3.00(3.20)	2.20(2.40)	1M
CMI-CMMPP4020HL-8R2M	8.2	192(160)	2.90(3.10)	2.20(2.30)	1M
CMI-CMMPP4020HL-100M	10	260(216)	2.80(3.00)	1.90(2.10)	1M

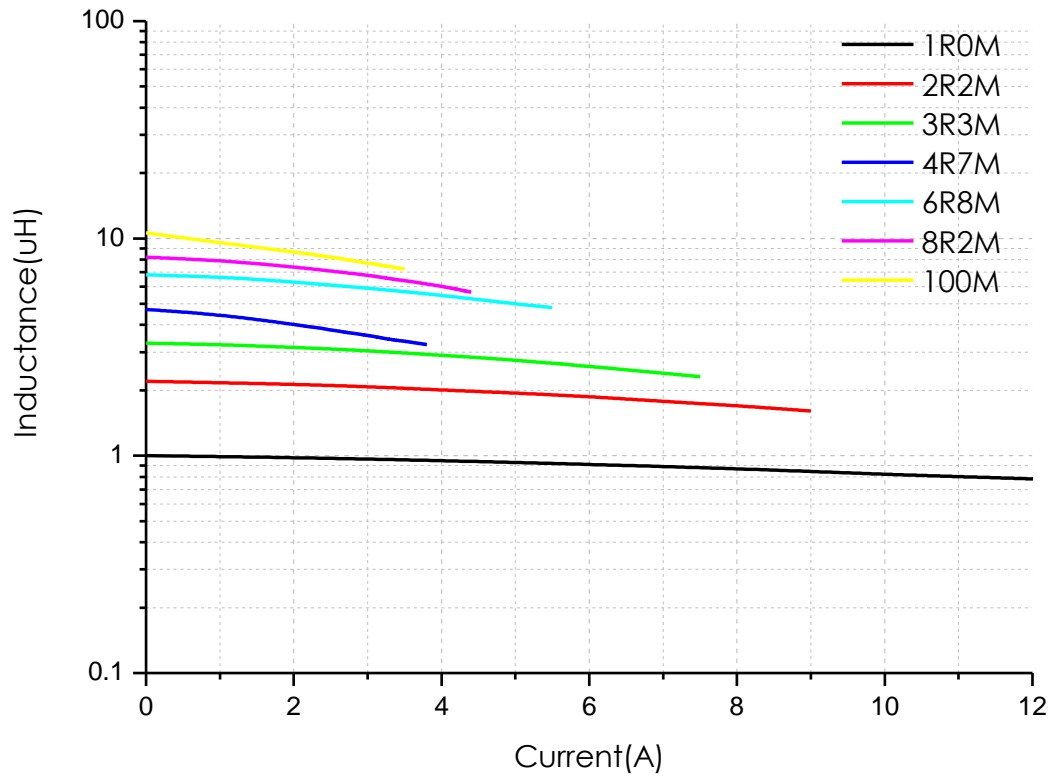
- Isat: When based on the inductance change rate (approximately 30% below in the initial value)
- Itemp: When based on the temperature increase (Temperature increase of approximately 40°C by self heating)
- Operating Temperature Range(including self temperature) : -40°C ~ +165 °C

Note 1 : Circuit design, component placement, PCB trace size and thickness, airflow and other cooling. Provision all affect the part Temperature. Part temperature should be verified in the end application.

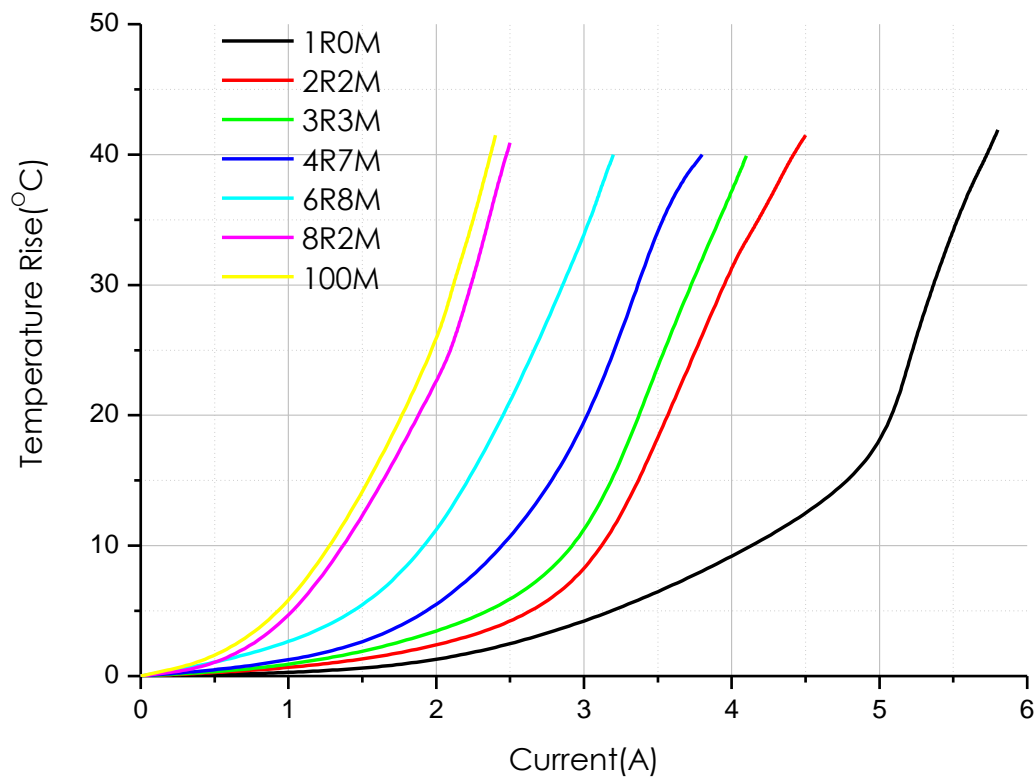
- All specifications are subject to change without notice.
- Update date : 2019.02.07

www.coilmaster.com

## DC BIAS vs INDUCTANCE



## DC BIAS vs TEMPERATURE

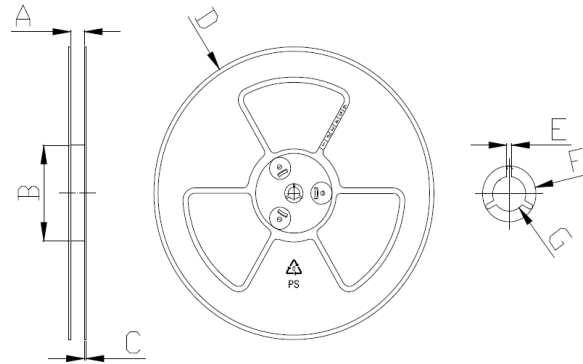


- All specifications are subject to change without notice.
- Update date : 2019.02.07

## Packaging

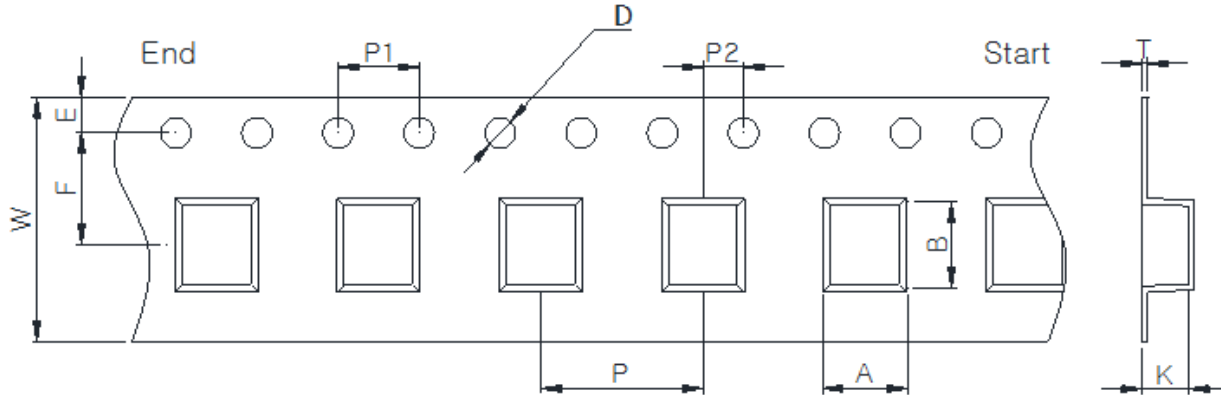
(1) Package quantity : 3,000 (pcs/reel)

(2) Reel Dimensions (unit:mm)



A	B	C	D	E	F	G
12.50	100.0	2.00	330.0	1.90	21.00	13.00
+1.00	+1.50	+0.10	+1.00	+0.40	+0.40	+0.40
-1.00	-1.50	-0.10	-1.00	-0.40	-0.40	-0.40

(3) Tape Dimensions



W	A	B	K	E	F	P	P1	P2	D	T
12.00	4.50	4.80	2.20	1.75	5.50	8.00	4.00	2.00	1.50	0.35
+0.30	+0.10	+0.10	+0.10	+0.10	+0.10	+0.10	+0.10	+0.10	+0.10	+0.05
-0.10	-0.10	-0.10	-0.10	-0.10	-0.10	-0.10	-0.10	-0.10	-0.00	-0.05

Ilisan Sales Office (KOREA) +82)31-904-1444  
 Shenzhen Sales Office (CHINA) +86)755-8663-6929  
 Hungary Sales office (EUROPE) +36)30-913-7706

H.K Sales Office (HONGKONG) +852)2711-5551  
 LA Sales Office (USA) +1)866-446-3586

- All specifications are subject to change without notice.
- Update date : 2019.02.07

www.coilmaster.com

单击下面可查看定价，库存，交付和生命周期等信息

[>>coilmaster\(卡尔马斯特\)](#)