

# CMI-CMMPP6030LH-N SERIES



## Features

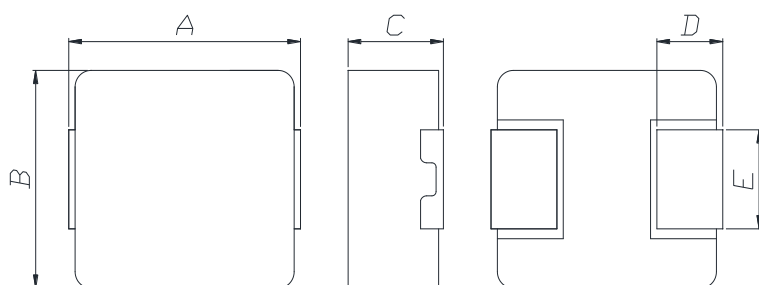
- ▶ High current and low profile.
- ▶ Metal powder molding type for EMC protection.
- ▶ Available tape and reel for auto insertion.
- ▶ RoHS compliant
- ▶ AEC-Q200 qualified.
- ▶ Halogen-Free

## Applications

- ▶ Equipment using for automobiles (ECM, airbags, headlights, electronic Powder steering, motors, ABS, other)

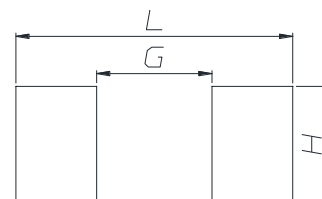


## Dimension (Unit:mm)



A	B	C	D	E
6.95±0.35	6.6±0.25	3.0 Max	1.8±0.5	3.0±0.3

## Land Pattern (Unit:mm)



L	G	H
8.4	3.7	3.5

## Specifications

Part Number	Inductance (uH) ±20%	DCR(mohm) Max(Typ)	Isat(A) Max(Typ)	Itemp(A) Max(Typ)	Test Frequency (Hz)
CMI-CMMPP6030LH-R68M-N	0.68	6.0(5.0)	28.00(32.00)	15.00(16.00)	1M
CMI-CMMPP6030LH-R82M-N	0.82	7.2(6.0)	25.00(30.00)	11.00(12.00)	1M
CMI-CMMPP6030LH-1R0M-N	1.0	7.8(6.5)	20.00(23.00)	10.50(11.50)	1M
CMI-CMMPP6030LH-1R5M-N	1.5	15(12.5)	19.00(21.00)	8.50(9.00)	1M
CMI-CMMPP6030LH-2R2M-N	2.2	18(15)	15.00(17.00)	7.80(8.30)	1M
CMI-CMMPP6030LH-3R3M-N	3.3	29(24)	12.00(13.00)	6.30(6.70)	1M
CMI-CMMPP6030LH-4R7M-N	4.7	36(30)	10.00(11.00)	5.80(6.30)	1M
CMI-CMMPP6030LH-5R6M-N	5.6	55(45)	9.50(10.50)	4.80(5.30)	1M
CMI-CMMPP6030LH-6R8M-N	6.8	60(50)	9.00(10.00)	4.50(5.00)	1M
CMI-CMMPP6030LH-100M-N	10	72(60)	7.50(8.00)	4.00(4.50)	1M
CMI-CMMPP6030LH-150M-N	15	112(93)	5.00(5.50)	3.00(3.20)	1M

• You can also contact us by e-mail : [coilmaster@coilmaster.com](mailto:coilmaster@coilmaster.com)

- All specifications are subject to change without notice.
- Update date : 2019.01.31

[www.coilmaster.com](http://www.coilmaster.com)

Part Number	Inductance (uH) ±20%	DCR(mohm) Max(Typ)	Isat(A) Max(Typ)	Itemp(A) Max(Typ)	Test Frequency (Hz)
CMI-CMMPP6030LH-220M-N	22	168(140)	4.50(5.00)	2.30(2.50)	1M

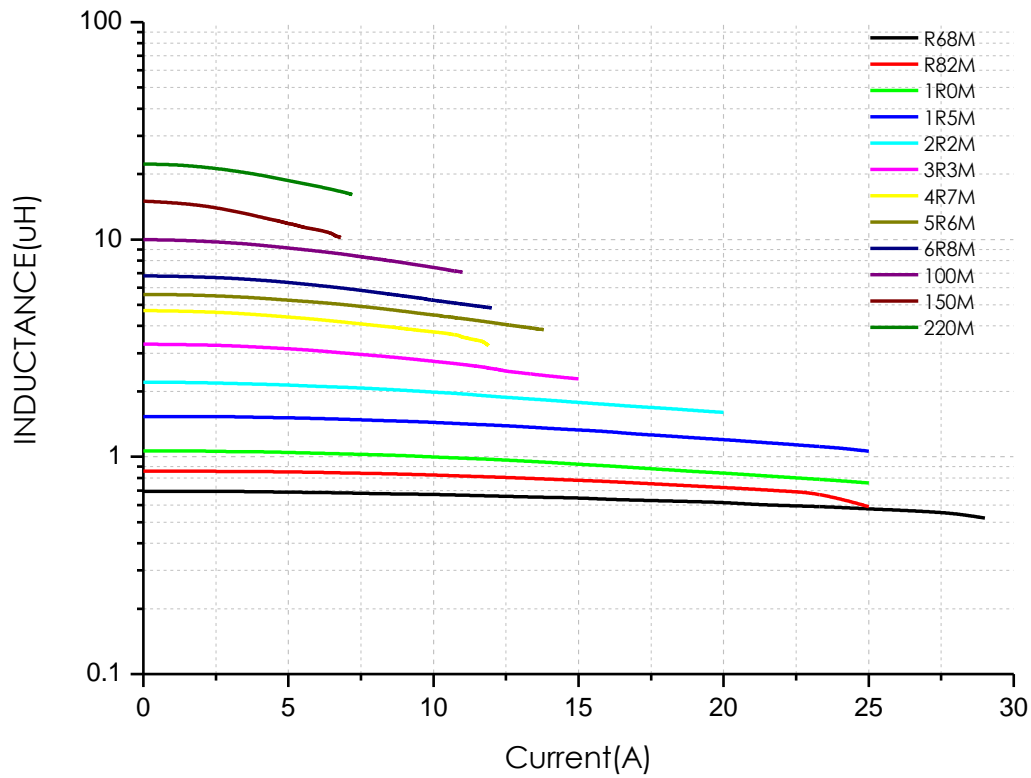
- Isat: When based on the inductance change rate (approximately 30% below in the initial value)
- Itemp: When based on the temperature increase (Temperature increase of approximately 40°C by self heating)
- Operating Temperature Range(including self temperature) : -40°C ~ +165 °c

Note 1 : Circuit design, component placement, PCB trace size and thickness, airflow and other cooling. Provision all affect the part Temperature. Part temperature should be verified in the end application.

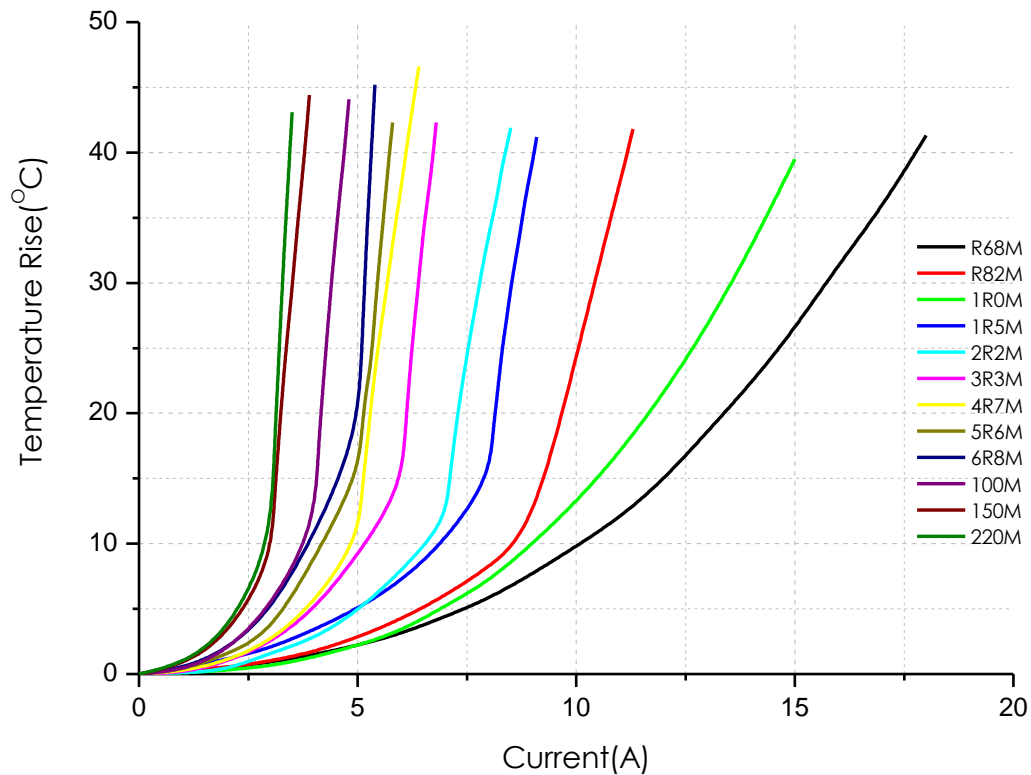
- **You can also contact us by e-mail : [coilmaster@coilmaster.com](mailto:coilmaster@coilmaster.com)**
- All specifications are subject to change without notice.
- Update date : 2019.01.31

[www.coilmaster.com](http://www.coilmaster.com)

## DC BIAS vs INDUCTANCE



## DC BIAS vs TEMPERATURE

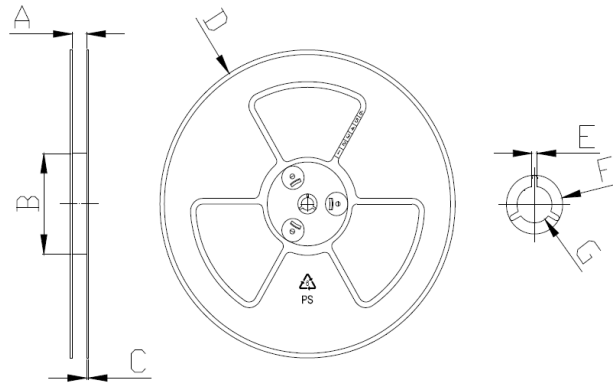


- You can also contact us by e-mail : [coilmaster@coilmaster.com](mailto:coilmaster@coilmaster.com)
- All specifications are subject to change without notice.
- Update date : 2019.01.31

## Packaging

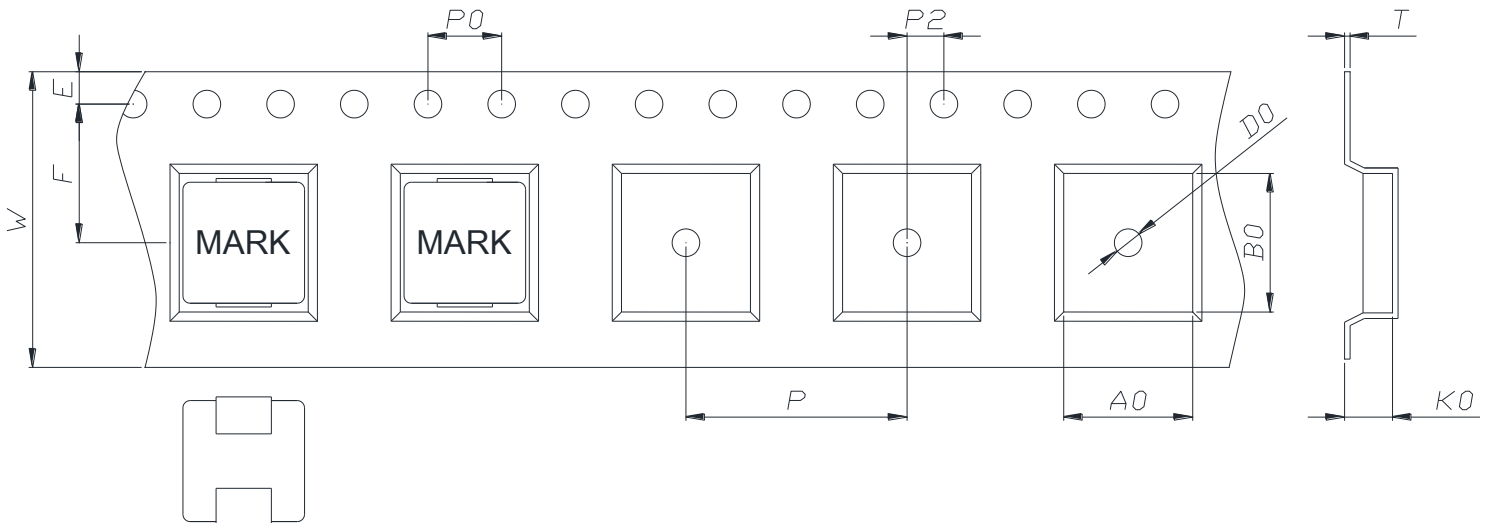
(1) Package quantity : 1,000 (pcs/reel)

(2) Reel Dimensions (unit:mm)



A	B	C	D	E	F	G
16.50	100.0	2.00	330.0	2.30	21.50	13.00
+0.50	+1.00	+0.10	+3.00	+0.30	+0.30	+0.50
-0.50	-1.00	-0.10	-3.00	-0.30	-0.30	-0.20

(3) Tape Dimensions



W	A0	B0	K0	E	F	P	P0	P2	D0	T
16.00	7.00	7.50	3.20	1.75	7.50	12.00	4.00	2.00	1.50	0.35
+0.30	+0.10	+0.10	+0.10	+0.10	+0.10	+0.10	+0.10	+0.10	+0.10	+0.05
-0.10	-0.10	-0.10	-0.10	-0.10	-0.10	-0.10	-0.10	-0.10	-0.00	-0.05

Ilisan Sales Office (KOREA) +82)31-904-1444

H.K Sales Office (HONGKONG) +852)2711-5551

Shenzhen Sales Office (CHINA) +86)755-8663-6929

LA Sales Office (USA) +1)866-446-3586

Hungary Sales office (EUROPE) +36)30-913-7706

• You can also contact us by e-mail : [coilmaster@coilmaster.com](mailto:coilmaster@coilmaster.com)

• All specifications are subject to change without notice.

• Update date : 2019.01.31

[www.coilmaster.com](http://www.coilmaster.com)

单击下面可查看定价，库存，交付和生命周期等信息

[>>coilmaster\(卡尔马斯特\)](#)