

Glass Passivated Bridge Rectifiers 玻璃钝化整流桥

Reverse Voltage - 1000 Volts
反向电压 1000V
Forward Current - 2.0 Amperes
正向电流 2.0A

Features特征

- Glass passivated chip玻璃钝化芯片
- Low forward voltage drop正向压降低
- Ideal for printed circuit board适用于印刷电路板中

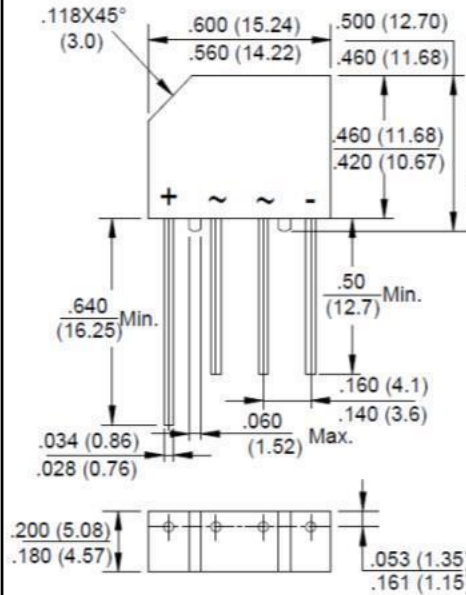
Mechanical Data外观信息

- Polarity: Symbol marked on body极性: 标志在产品的本体上
- Mounting position: Any安装位置: 任何位置

Applications应用

- General purpose use in AC/DC bridge full wave rectification, for home appliances, office equipment, etc.
一般应用于交流/直流桥式全波整流, 如: 家用电器, 办公设备等。

KBP



Package Outline Dimensions in Inches (Millimeters)
封装外观尺寸单位英寸 (毫米)

Maximum Ratings and Electrical Characteristics最大额定值及电气特性

Rating at 25°C ambient temperature unless otherwise specified.环境温度25°C, 除非特别说明。
Single phase, half wave, 60Hz, resistive or inductive load.单相半波, 60Hz, 阻性或感性负载。
For capacitive load, derate current by 20%.对于电容性负载, 降低20%的额定电流。

Characteristics 特性	Symbol 符号	KBP307	Unit 单位
Maximum Repetitive Peak Reverse Voltage 最大重复峰值反向电压	V _{RRM}	1000	V
Maximum RMS Voltage 最大有效反向电压	V _{RMS}	700	V
Maximum DC Blocking Voltage 最大直流阻断电压	V _{DC}	1000	V
Maximum Average Forward Rectified Current @T _A =50°C 最大正向平均整流电流	I _(AV)	2.0	A
Peak Forward Surge Current, 8.3mS Single Half Sine-Wave, Superimposed on Rated Load (JEDEC Method) 8.3mS单一正弦半波叠加在额定负载上的浪涌能力 (JEDEC方法)	I _{FSM}	60	A
I _{zt} Rating for Fusing (t<8.3mS) 熔断额定值 (t<8.3mS)	I _{zt}	14.9	A _{2s}
Peak Forward Voltage per Diode at 2.0A DC 单个二极管在2.0A电流下的正向峰值电压	V _F	1.1	V
Maximum DC Reverse Current at Rated @T _J =25°C DC Blocking Voltage per Diode @T _J =100°C 单个二极管在额定直流电压下的最大反向直流电流	I _R	10 1.0	μA mA
Operating Junction Temperature Range 结温工作范围	T _J	-55 to +150	°C
Storage Temperature Range 储存温度范围	T _{STG}	-55 to +150	°C

Fig. 1 - Forward Current Derating Curve

图1正向电流降额曲线

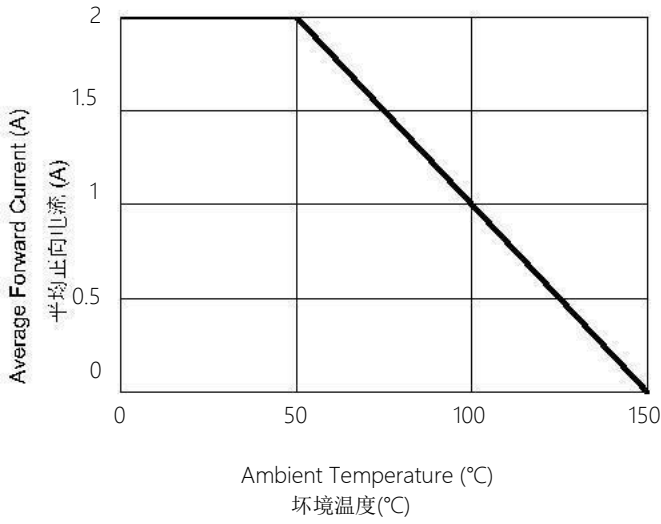


Fig. 2 - Maximum Non-Repetitive Surge Current

图2最大不重复正向浪涌曲线

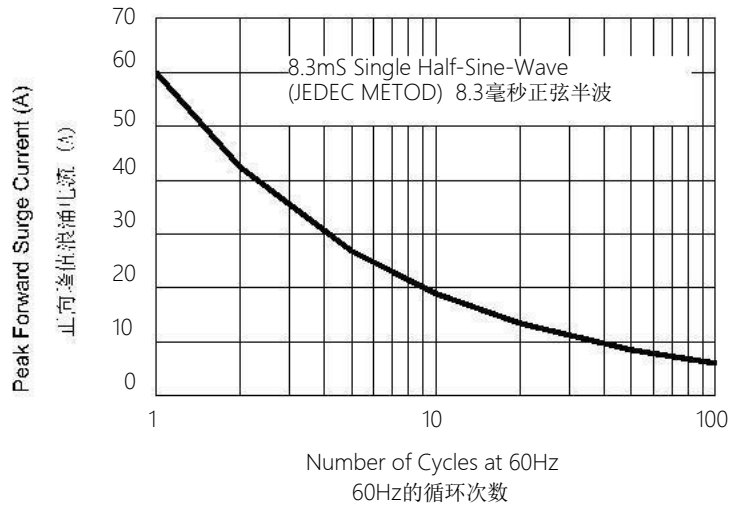


Fig. 3 - Typical Reverse Characteristics

图3典型的反向特性

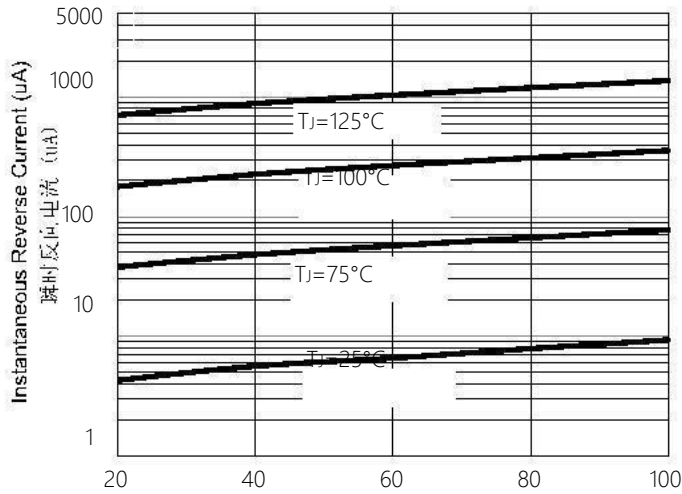
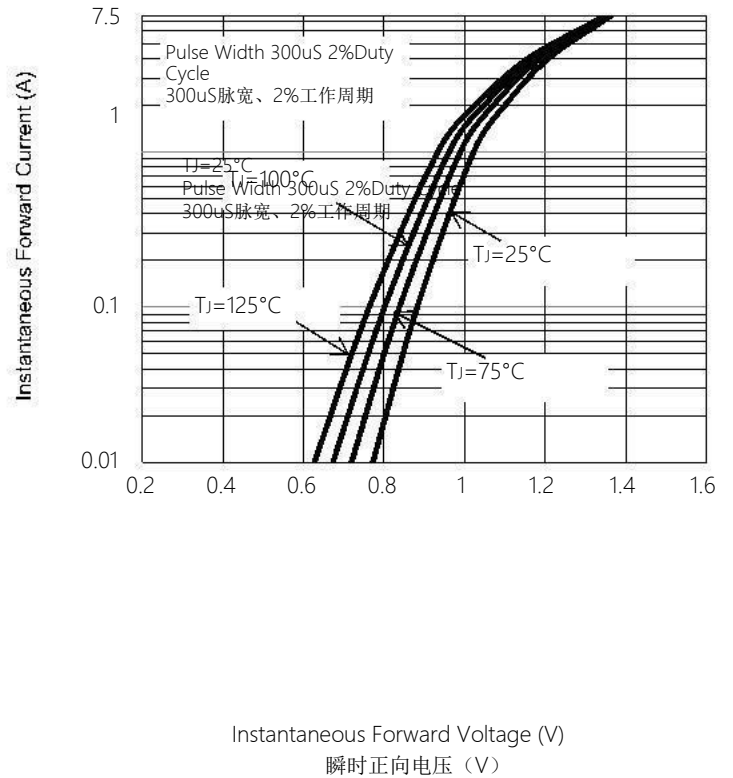


Fig. 4 - Typical Forward Characteristics

图4典型的正向特性



单击下面可查看定价，库存，交付和生命周期等信息

[>>COMON\(阔迈\)](#)