

**Glass Passivated Bridge Rectifiers**

**Reverse Voltage - 1000 Volts  
Forward Current - 6.0 Amperes**

**Features**

- Glass passivated chip
- Low forward voltage drop
- Small size; simple installation
- Lead tin plated copper

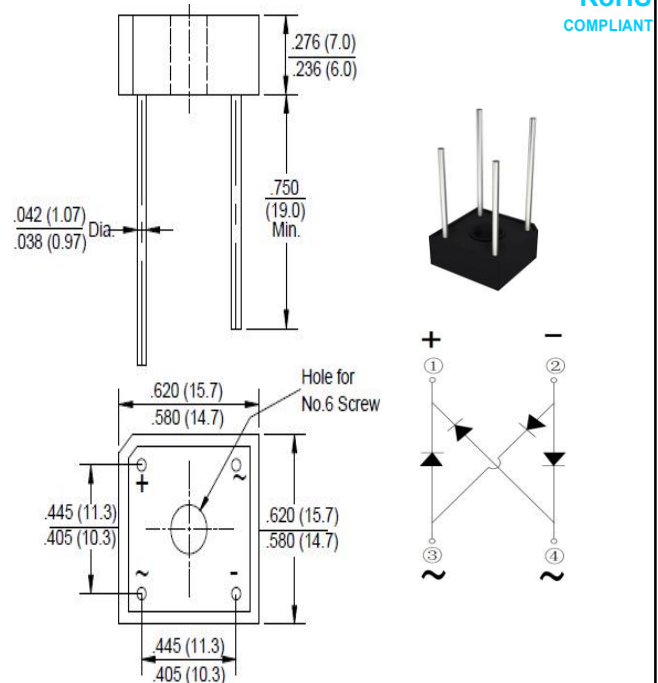
**Mechanical Data**

- Polarity: Symbol marked on body
- Mounting position: Any

**Applications**

- General purpose use in AC/DC bridge full wave rectification, for SMPS, lighting ballaster, adapter, etc.

**BR6**



Package Outline Dimensions in Inches (Millimeters)

**Maximum Ratings and Electrical Characteristics**

Rating at 25°C ambient temperature unless otherwise specified.  
Single phase, half wave, 60Hz, resistive or inductive load.  
For capacitive load, derate current by 20%.

Characteristics	Symbol	KBPC610	Unit
Maximum Repetitive Peak Reverse Voltage	VRRM	1000	V
Maximum RMS Voltage	VRMS	700	V
Maximum Average Forward Rectified Current @TA=50 °C	I(AV)	6.0	A
Peak Forward Surge Current, 8.3mS Single Half Sine-Wave, Superimposed on Rated Load (JEDEC Method)	IFSM	150	A
I²t Rating for Fusing (t<8.3mS)	I²t	93.4	A²s
Peak Forward Voltage per Diode at 3.0A DC	VF	1.1	V
Maximum DC Reverse Current at Rated @TJ=25°C	IR	10.0	µA
DC Blocking Voltage per Diode @TJ=100°C		1.0	mA
Operating Junction Temperature Range	TJ	-55 to +150	°C
Storage Temperature Range	TSTG	-55 to +150	°C

Fig. 1 - Forward Current Derating Curve

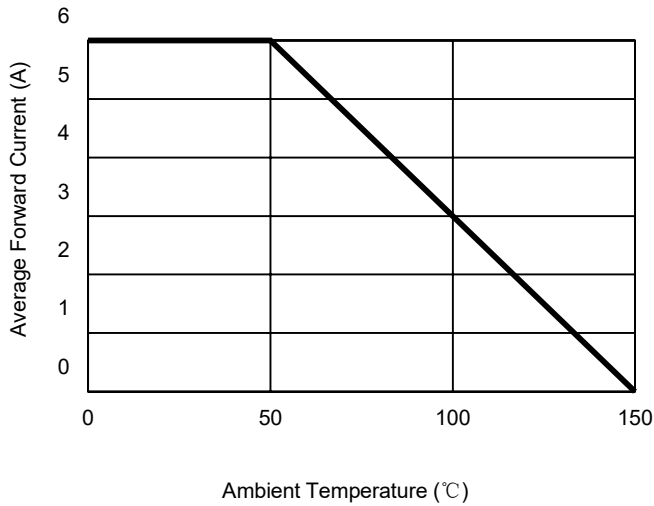


Fig. 2 - Maximum Non-Repetitive Surge Current

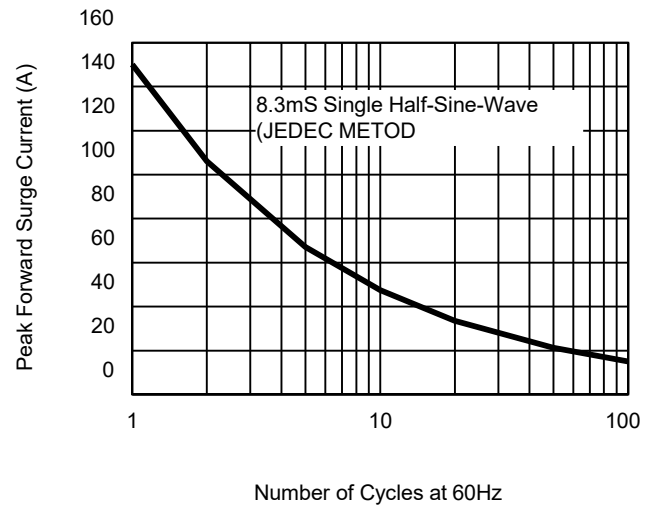


Fig. 3 - Typical Reverse Characteristics

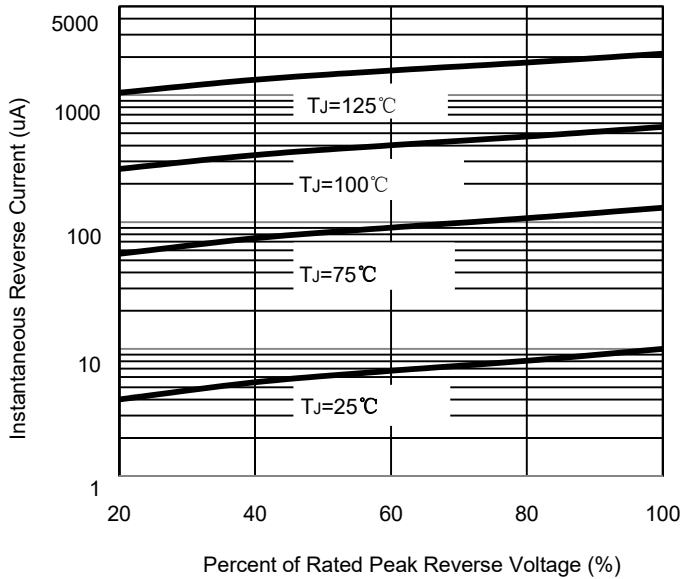
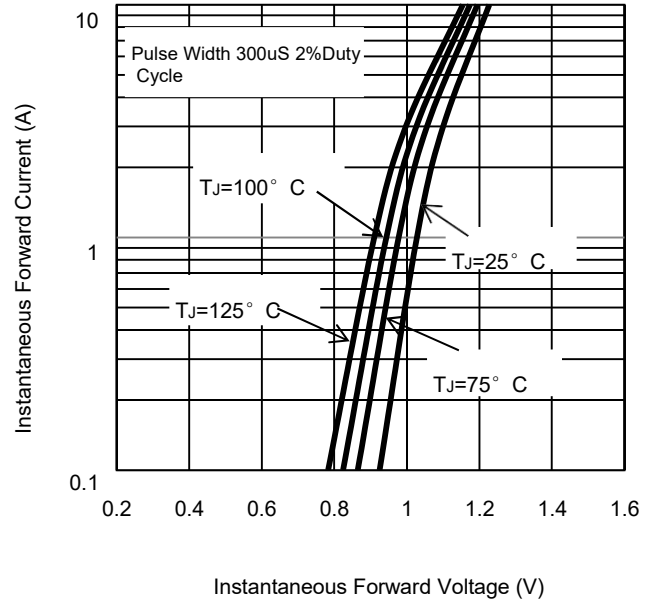


Fig. 4 - Typical Forward Characteristics



单击下面可查看定价，库存，交付和生命周期等信息

[>>COMON\(阔迈\)](#)