

Features

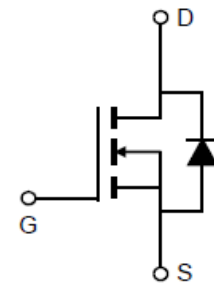
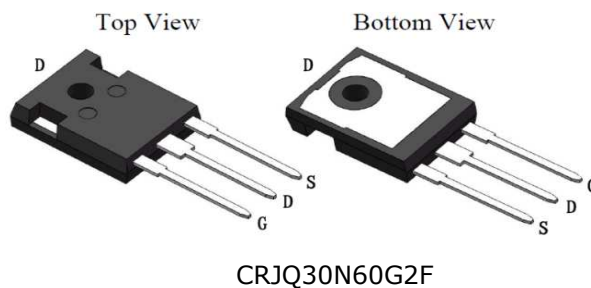
- CRM(CQ) Super_Junction technology
- Much lower Ron*A performance for On-state efficiency
- Much lower FOM for fast switching efficiency

Applications

- LED/LCD/PDP TV and monitor Lighting
- Solar/Renewable/UPS-Micro Inverter System
- Charger
- Power Supply

Product Summary

V _{DS}	600V
R _{DS(on)_typ}	28mΩ
I _D	83A

100% DVDS Tested
100% Avalanche Tested

Package Marking and Ordering Information

Part #	Marking	Package	Packing	Reel Size	Tape Width	Qty
CRJQ30N60G2F	-	TO-247-3L	Tube	N/A	N/A	25pcs

Absolute Maximum Ratings

Parameter	Symbol	Value	Unit
Drain-source voltage	V _{DS}	600	V
Continuous drain current T _C = 25°C T _C = 100°C	I _D	83 60	A
Pulsed drain current (T _C = 25°C, t _p limited by T _{jmax})	I _{D pulse}	332	A
Avalanche energy, single pulse (L=30mH, R _g =30Ω)	E _{AS}	1200	mJ
Gate-Source voltage	V _{GS}	±30	V
Power dissipation (T _C = 25°C)	P _{tot}	595	W
Operating junction and storage temperature	T _j , T _{stg}	-55...+150	°C

Thermal Resistance

Parameter	Symbol	Value			Unit	Test Condition
		min.	typ.	max.		
Thermal resistance, junction – case. Max	RthJC	-	0.15	0.21	°C/W	
Thermal resistance, junction – ambient. Max	RthJA	-	-	46	°C/W	

Electrical Characteristic (at Tj = 25 °C, unless otherwise specified)

Parameter	Symbol	Value			Unit	Test Condition
		min.	typ.	max.		

Static Characteristic

Drain-source breakdown voltage	BV _{DSS}	600	-	-	V	V _{GS} =0V, I _D =250uA
Gate threshold voltage	V _{GS(th)}	3.4	-	4.8	V	V _{DS} =V _{GS} , I _D =250uA
Zero gate voltage drain current	I _{DSS}	-	-	5	μA	V _{DS} =600V, V _{GS} =0V
		-	1100	-		T _C =25°C
Gate-source leakage current	I _{GSS}	-	-	±100	nA	V _{GS} =±30V, V _{DS} =0V
Drain-source on-state resistance	R _{DS(on)}	-	28	33	mΩ	V _{GS} =10V, I _D =42A,
		-	67	-		T _C =25°C
Transconductance	g _{fs}	-	48	-	S	V _{DS} =20V, I _D =42A

Dynamic Characteristic

Input Capacitance	C _{iss}	-	5770	-	pF	V _{GS} =0V, V _{DS} =100V, f=1MHz
Output Capacitance	C _{oss}	-	365	-		
Reverse Transfer Capacitance	C _{rss}	-	40	-		
Gate Total Charge	Q _G	-	165	-	nC	V _{GS} =10V, V _{DS} =480V, I _D =42A, f=1MHz
Gate-Source charge	Q _{gs}	-	53	-		
Gate-Drain charge	Q _{gd}	-	90	-		
Turn-on delay time	t _{d(on)}	-	166	-	ns	T _J =25°C, V _{GS} =10V, I _D =42A, V _{DS} =400V, R _g =27Ω
Rise time	t _r	-	110	-		
Turn-off delay time	t _{d(off)}	-	337	-		
Fall time	t _f	-	95	-		
Gate resistance	R _G	-	0.96	-	Ω	V _{GS} =0V, V _{DS} =0V, f=1MHz

Body Diode Characteristic

Parameter	Symbol	Value			Unit	Test Condition
		min.	typ.	max.		
Body Diode Forward Voltage	V_{SD}	0.7	0.89	1.2	V	$V_{GS}=0V, I_{SD}=42A$
Body Diode Reverse Recovery Time	t_{rr}	-	192	-	ns	$I_{SD}=41A$ $dI/dt=100A/us, V_{DS}=400V$
Body Diode Reverse Recovery Charge	Q_{rr}	-	1.45	-	uC	

Typical Performance Characteristics

Fig 1. Output Characteristics (Tj=25°C)

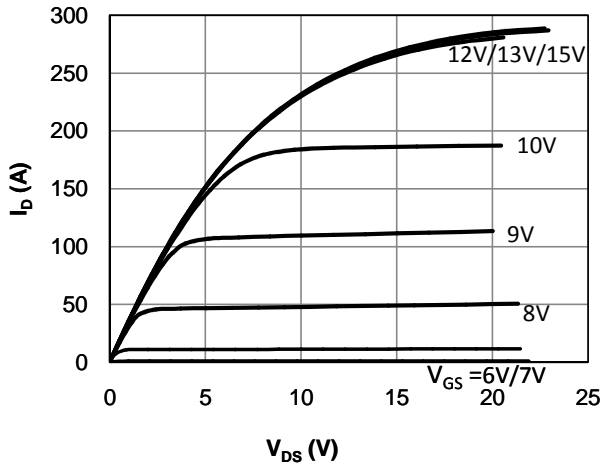


Fig 2. Output Characteristics (Tj=150°C)

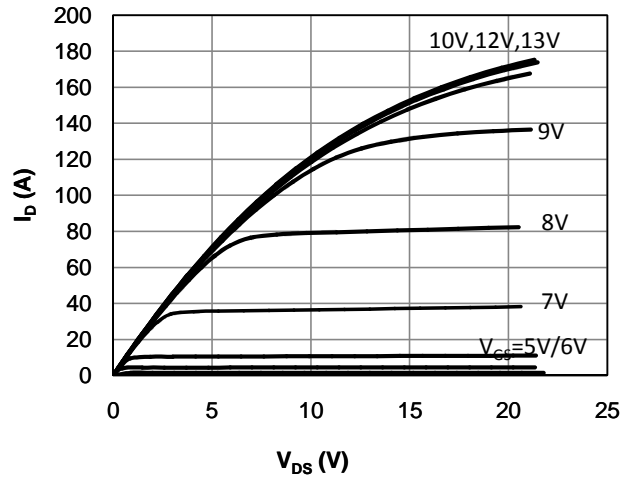


Fig 3: Transfer Characteristics

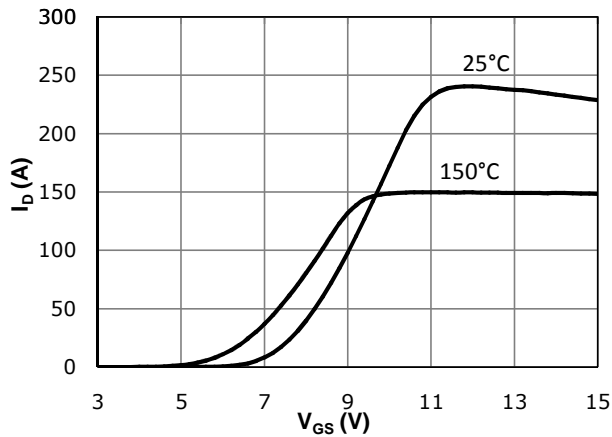


Fig 4: Vth Vs Tj Temperature Characteristics

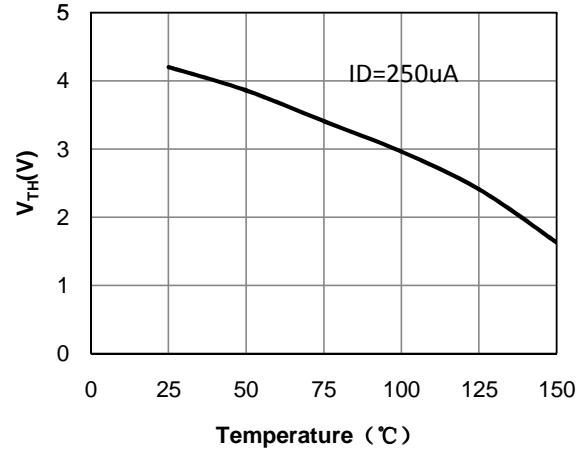


Fig 5: Rds(on) Vs Ids Characteristics (Tc=25°C)

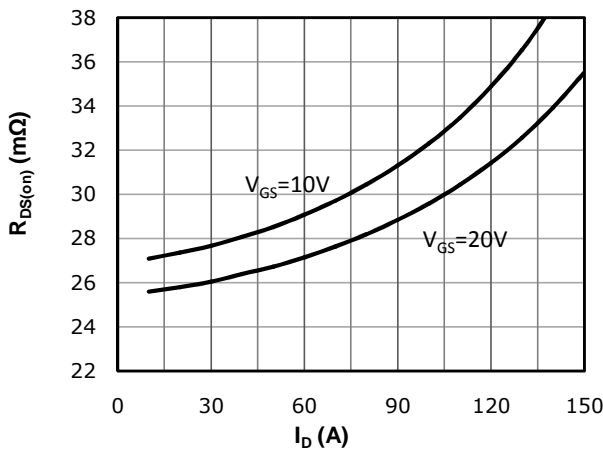


Fig 6: Rds(on) vs. Temperature

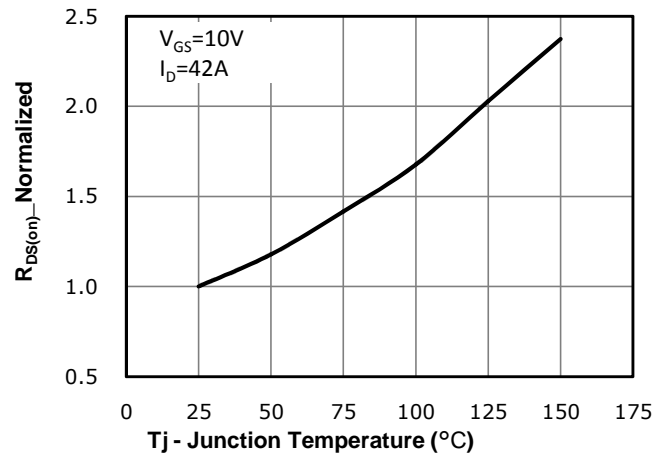


Fig 7: BVDSS vs. Temperature

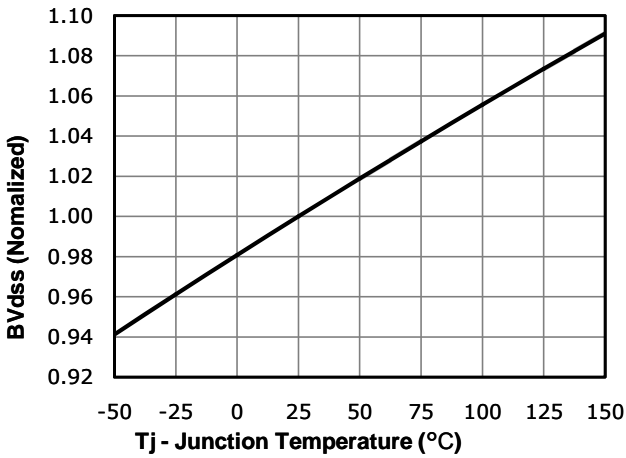


Fig 8: Rds(on) vs Gate Voltage

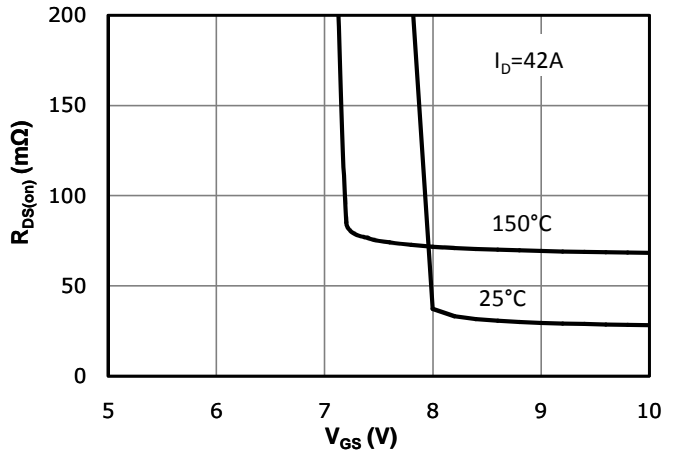


Fig 9: Body-diode Forward Characteristics

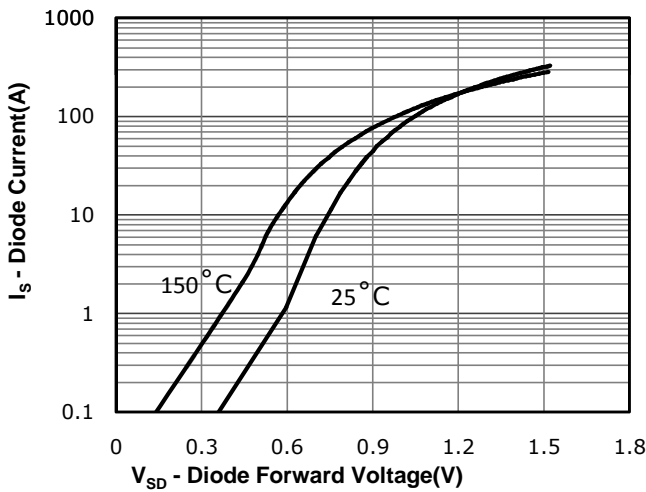


Fig 10: Gate Charge Characteristics

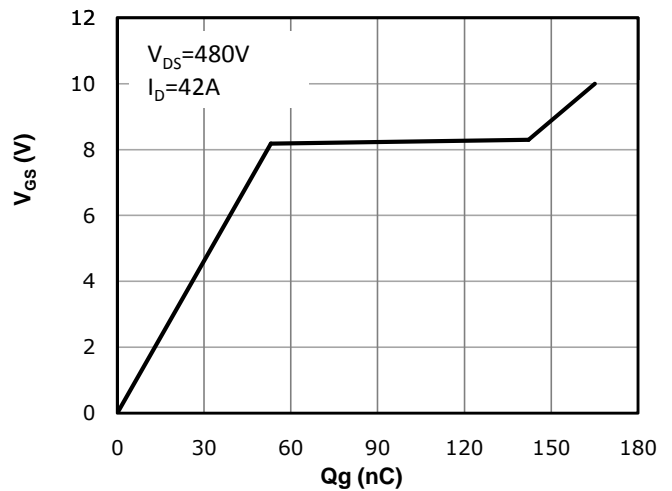


Fig 11: Capacitance Characteristics

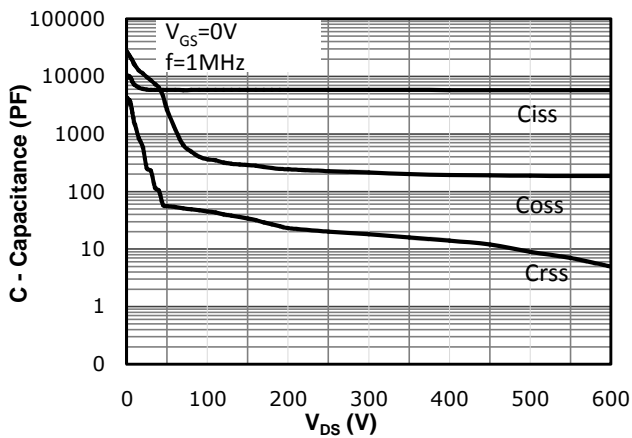


Fig 12: Safe Operating Area

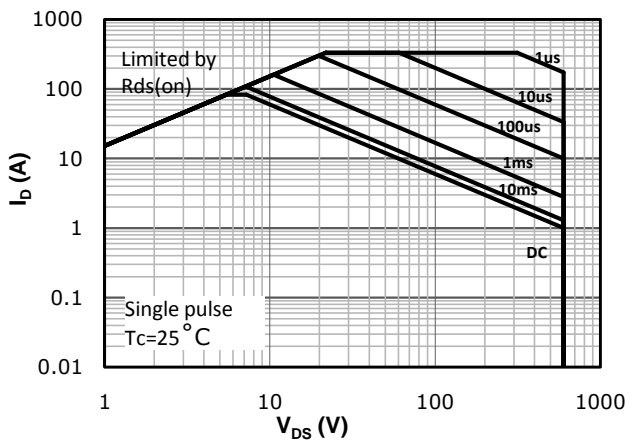
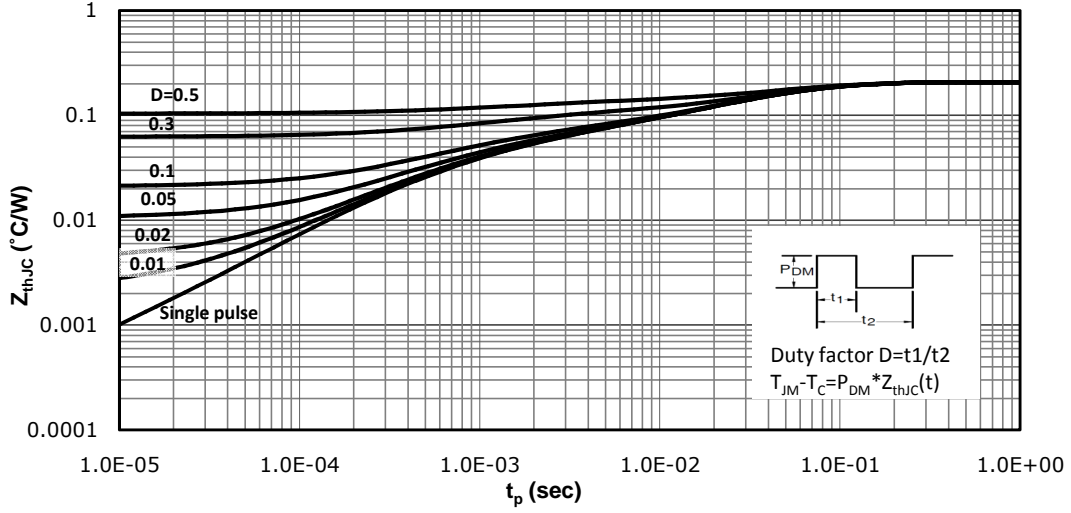
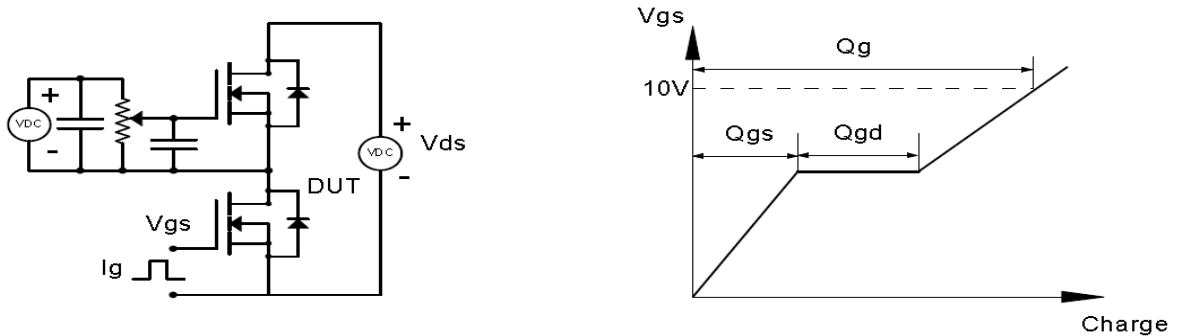


Fig 13: Max. Transient Thermal Impedance

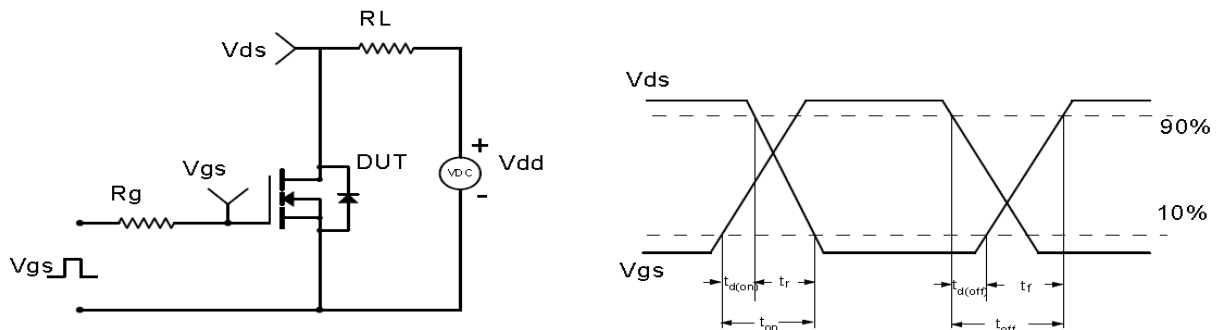


Test Circuit & Waveform

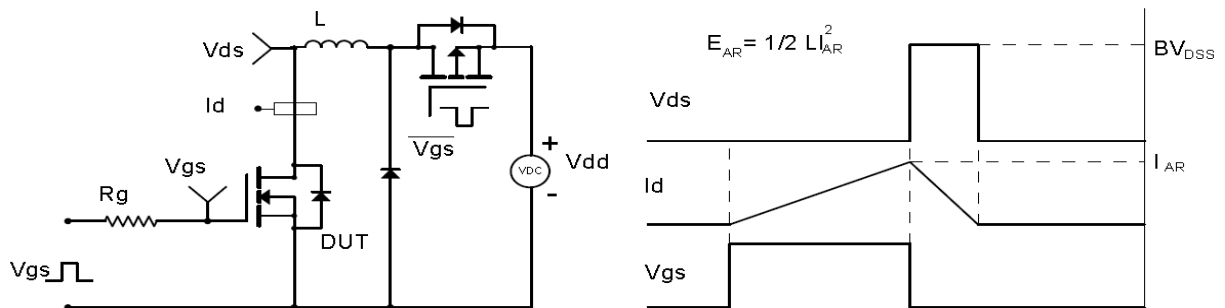
Gate Charge Test Circuit & Waveform



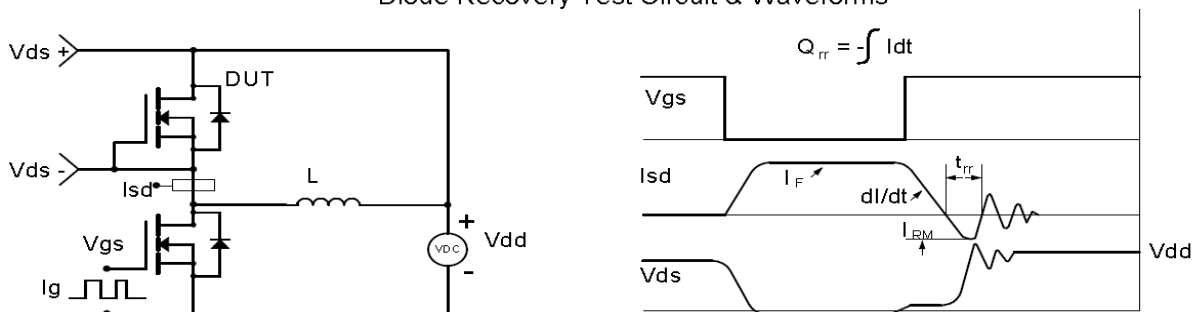
Resistive Switching Test Circuit & Waveforms



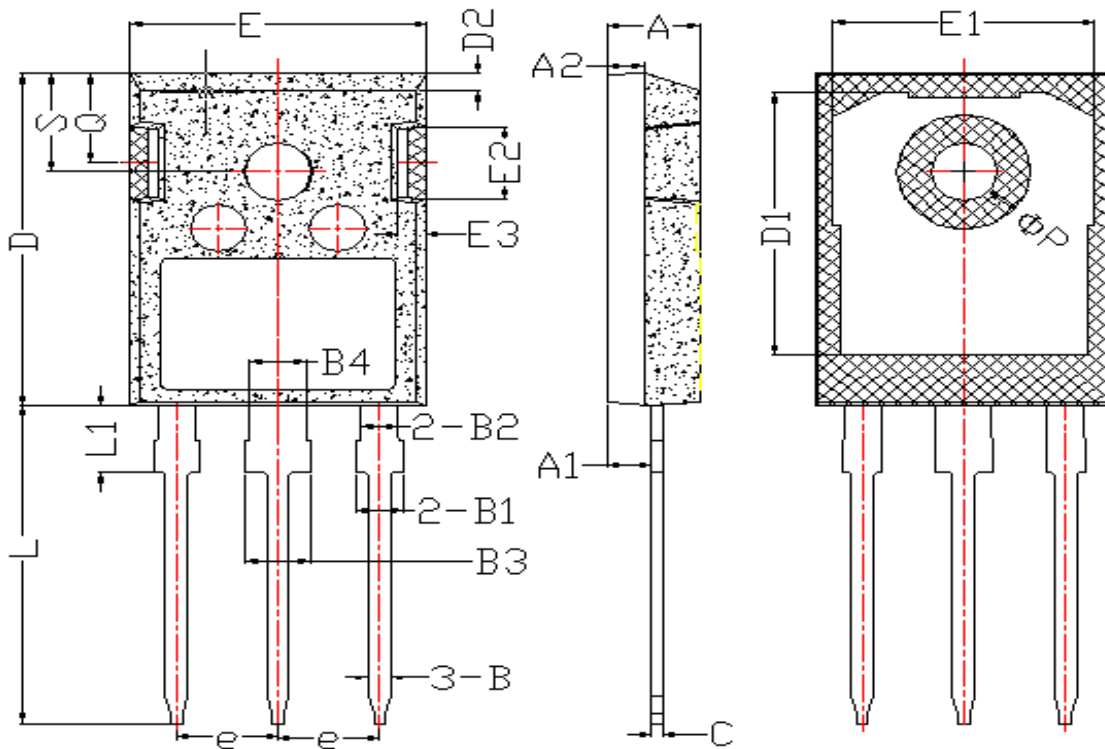
Unclamped Inductive Switching (UIS) Test Circuit & Waveforms



Diode Recovery Test Circuit & Waveforms



Package Outline: TO-247-3L



Symbol	Dimensions In Millimeters		Dimensions In Inches	
	Min.	Max.	Min.	Max.
A	4.60	5.20	0.181	0.205
A1	2.20	2.60	0.087	0.102
A2	1.80	2.20	0.071	0.087
B	0.90	1.40	0.035	0.055
B1	1.75	2.35	0.069	0.093
B2	1.75	2.15	0.069	0.085
B3	2.80	3.35	0.110	0.132
B4	2.80	3.15	0.110	0.124
C	0.50	0.70	0.020	0.028
D	20.60	21.30	0.811	0.839
D1	16.00	18.00	0.630	0.709
D2	0.90	1.40	0.035	0.055
E	15.50	16.10	0.610	0.634
E1	13.00	14.70	0.512	0.579
E2	3.80	5.30	0.150	0.209
E3	0.80	2.60	0.031	0.102
e	5.20	5.70	0.205	0.224
L	19.00	20.50	0.748	0.807
L1	3.90	4.60	0.154	0.181
ΦP	3.30	3.70	0.130	0.146
Q	5.20	6.00	0.205	0.236
S	5.80	6.60	0.228	0.260

Marking



NOTE:

NXBBAAAAY

X —Assembly location code

BB —Fab code

AAAA —Lot code

Y —Bin code

Revision History

Revision	Date	Major changes
1.0	2020-8-5	First version

Disclaimer

Unless otherwise specified in the datasheet, the product is designed and qualified as a standard commercial product and is not intended for use in applications that require extraordinary levels of quality and reliability, such as automotive, aviation/aerospace and life-support devices or systems.

Any and all semiconductor products have certain probability to fail or malfunction, which may result in personal injury, death or property damage. Customer are solely responsible for providing adequate safe measures when design their systems.

CRM(CQ) reserves the right to improve product design, function and reliability without notice.

单击下面可查看定价，库存，交付和生命周期等信息

[>>CRMICRO\(华润微\)](#)