



CS3N06 AS-G

General Description:

CS3N06 AS-G, the silicon N-channel Enhanced VDMOSFETs, is obtained by the high density Trench technology which reduce the conduction loss, improve switching performance and enhance the avalanche energy. This device is suitable for use as a battery protect or in other applications. The package form is SOT-23, which accords with the RoHS standard.

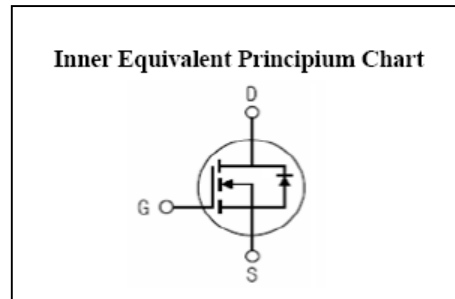
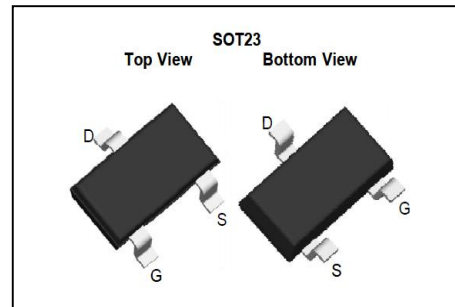
Features:

- | **Fast Switching**
- | **Low ON Resistance**($R_{dson} \leq 105m\Omega$)
- | **Low Gate Charge**
- | **Low Reverse transfer capacitances**
- | **100% Single Pulse avalanche energy Test**
- | **Halogen Free**

Applications:

LED、electric tools

V_{DSS}	60	V
I_D	3	A
$R_{DS(ON)Typ}$	75	m Ω



Absolute (T_A= 25°C unless otherwise specified)

Symbol	Parameter	Rating	Units
V_{DSS}	Drain-to-Source Voltage	60	V
I_D	Continuous Drain Current	3	A
	Continuous Drain Current T _A = 100 °C	1.8	A
I_{DM}^{a1}	Pulsed Drain Current	12	A
V_{GS}	Gate-to-Source Voltage	±20	V
E_{AS}^{a2}	Single Pulse Avalanche Energy	11	mJ
P_D	Power Dissipation	1.1	W
T _J , T _{stg}	Operating Junction and Storage Temperature Range	150, -55 to 150	°C

Electrical Characteristics (T_J= 25 °C unless otherwise specified):

OFF Characteristics						
Symbol	Parameter	Test Conditions	Rating			Units
			Min.	Typ.	Max.	
V _{DSS}	Drain to Source Breakdown Voltage	V _{GS} =0V, I _D =250μA	60	--	--	V
I _{DSS}	Drain to Source Leakage Current	V _{DS} = 60V, V _{GS} = 0V, T _J = 25 °C	--	--	1	μA
		V _{DS} =48V, V _{GS} = 0V, T _J = 125 °C	--	--	100	
I _{GSS(F)}	Gate to Source Forward Leakage	V _{GS} =20V	--	--	100	nA
I _{GSS(R)}	Gate to Source Reverse Leakage	V _{GS} =-20V	--	--	-100	nA

ON Characteristics						
Symbol	Parameter	Test Conditions	Rating			Units
			Min.	Typ.	Max.	
R _{DS(ON)}	Drain-to-Source On-Resistance	V _{GS} =10V,I _D =3A	--	75	105	mΩ
R _{DS(ON)}	Drain-to-Source On-Resistance	V _{GS} =4.5V,I _D =2A	--	98	125	mΩ
V _{GS(TH)}	Gate Threshold Voltage	V _{DS} = V _{GS} , I _D = 250μA	0.8	--	2.0	V
Pulse width tp ≤ 300μs, δ ≤ 2%						

Dynamic Characteristics						
Symbol	Parameter	Test Conditions	Rating			Units
			Min.	Typ.	Max.	
g _{FS}	Forward tranconductance	V _{DS} =15V,I _D =2A	--	4.7	--	S
R _g	Gate resistance	V _{GS} =0V, V _{DS} =0V, f=1MHz	--	2.9	--	Ω
C _{iss}	Input Capacitance	V _{GS} = 0V V _{DS} =30V f = 1.0MHz	--	282	--	pF
C _{oss}	Output Capacitance		--	24	--	
C _{rss}	Reverse Transfer Capacitance		--	17	--	

Resistive Switching Characteristics						
Symbol	Parameter	Test Conditions	Rating			Units
			Min.	Typ.	Max.	
t _{d(ON)}	Turn-on Delay Time	V _{GS} =10V,R _g =1Ω V _{DD} =30V,I _D =3A	--	6.2	--	ns
t _r	Rise Time		--	3.1	--	
t _{d(OFF)}	Turn-Off Delay Time		--	18.5	--	
t _f	Fall Time		--	2.6	--	
Q _g (V _{GS} =4.5V)	Total Gate Charge	V _{GS} =10V V _{DD} =30V,I _D =3A	--	4.3	--	nC
Q _g (V _{GS} =10V)	Total Gate Charge		--	7.8	--	
Q _{gs}	Gate to Source Charge		--	1.0	--	
Q _{gd}	Gate to Drain (“Miller”)Charge		--	2.6	--	

Source-Drain Diode Characteristics						
Symbol	Parameter	Test Conditions	Rating			Units
			Min.	Typ.	Max.	
I_S	Continuous Source Current (Body Diode)	$T_A = 25\text{ }^\circ\text{C}$	--	--	3	A
I_{SM}	Maximum Pulsed Current (Body Diode)		--	--	12	A
V_{SD}	Diode Forward Voltage	$I_S = 3.0\text{A}, V_{GS} = 0\text{V}$	--	--	1.2	V
t_{rr}	Reverse Recovery Time	$di/dt = 100\text{A}/\mu\text{s}$	--	12.6	--	ns
Q_{rr}	Reverse Recovery Charge		$I_S = 3\text{A}$	--	8.3	--
Pulse width $t_p \leq 300\mu\text{s}, \delta \leq 2\%$						

Symbol	Parameter	Max.	Units
$R_{\theta JA}$	Junction-to-Ambient	105	$^\circ\text{C}/\text{W}$

^{a1}: Repetitive rating; pulse width limited by maximum junction temperature

^{a2}: $L = 1\text{mH}, V_{DD} = 30\text{V}, I_{as} = 4.7\text{A}, \text{Start } T_j = 25\text{ }^\circ\text{C}$

^{a3}: Recommend soldering temperature defined by IPC/JEDEC J-STD 020

Characteristics Curve:

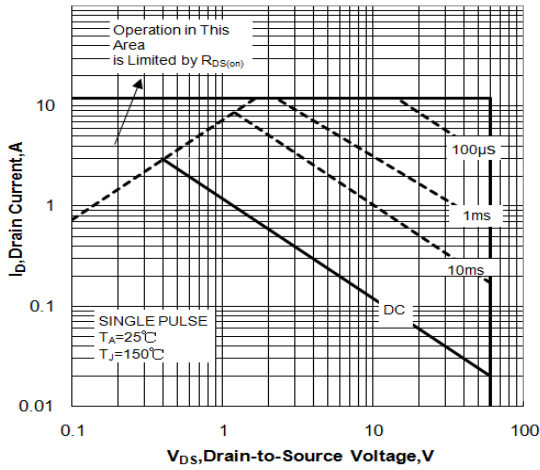


Figure 1. Maximum Safe Operating Area

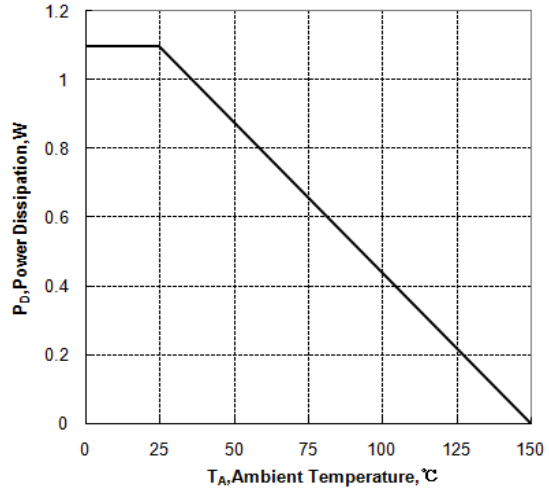


Figure 2. Maximum Power Dissipation vs Ambient Temperature

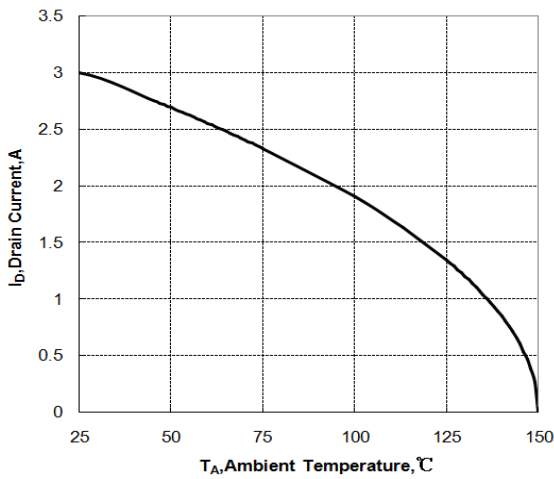


Figure 3. Maximum Continuous Drain Current vs Ambient Temperature

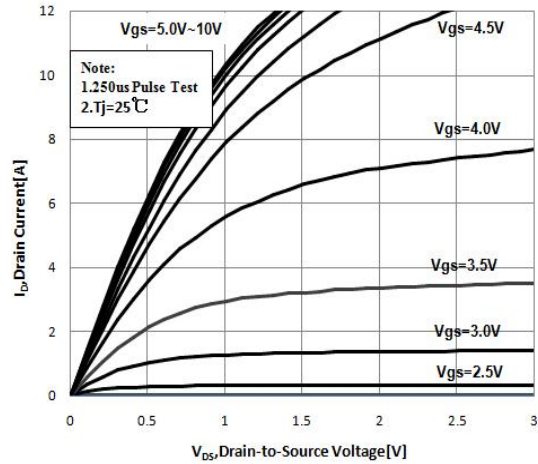


Figure 4. Typical output Characteristics

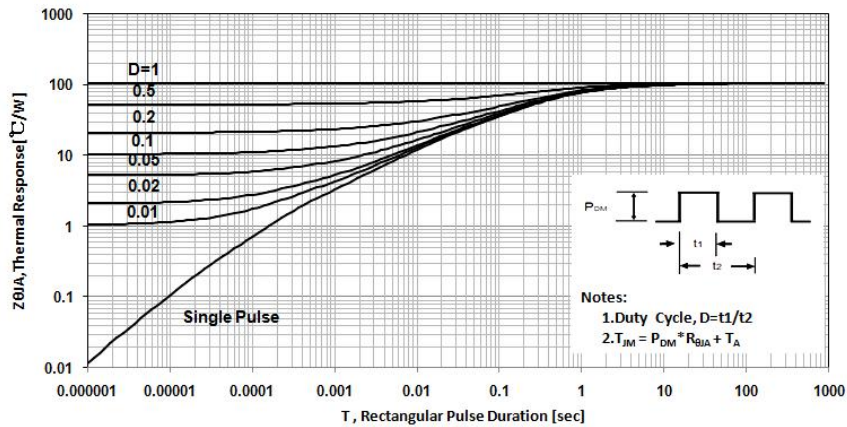


Figure 5 Maximum Effective Thermal Impedance, Junction to Ambient

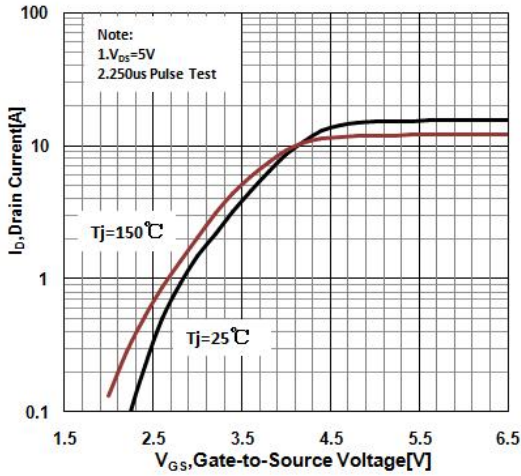


Figure 6 Typical Transfer Characteristics

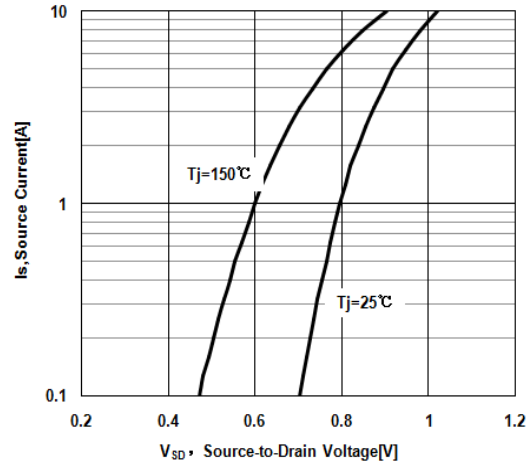


Figure 7 Typical Body Diode Transfer Characteristics

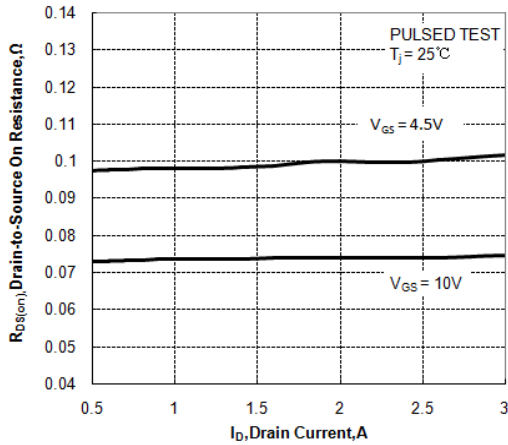


Figure 8. Drain-to-Source On Resistance vs Drain Current

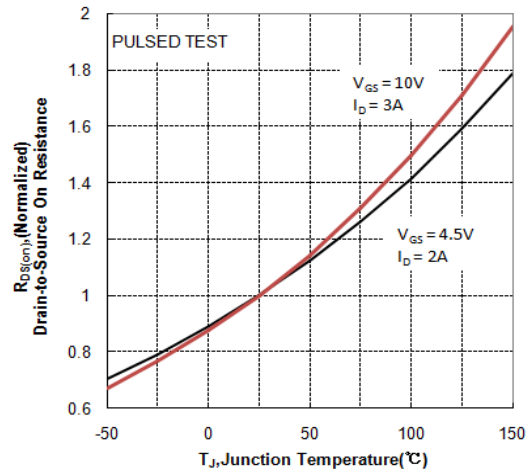


Figure 9. Normalized On Resistance vs Junction Temperature

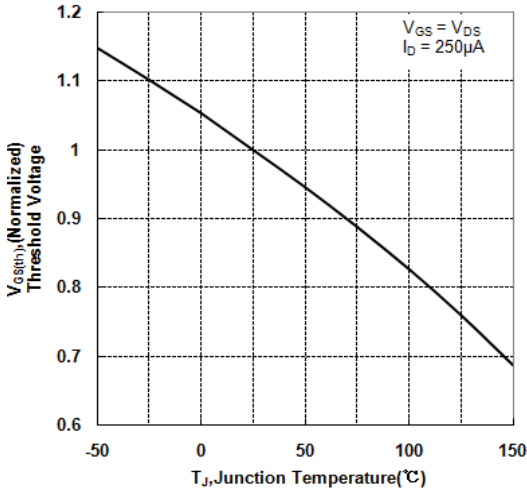


Figure 10. Normalized Threshold Voltage vs Junction Temperature

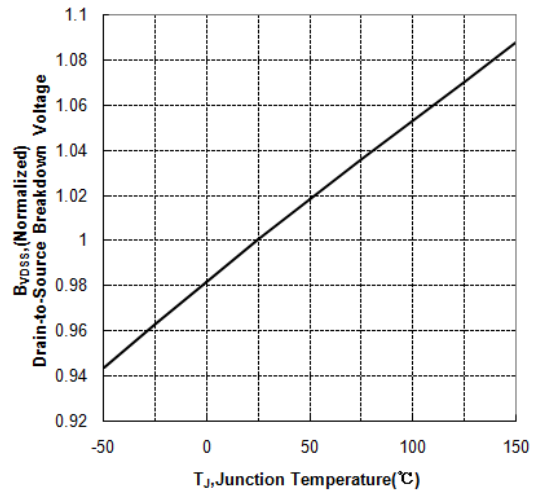


Figure 11. Normalized Breakdown Voltage vs Junction Temperature

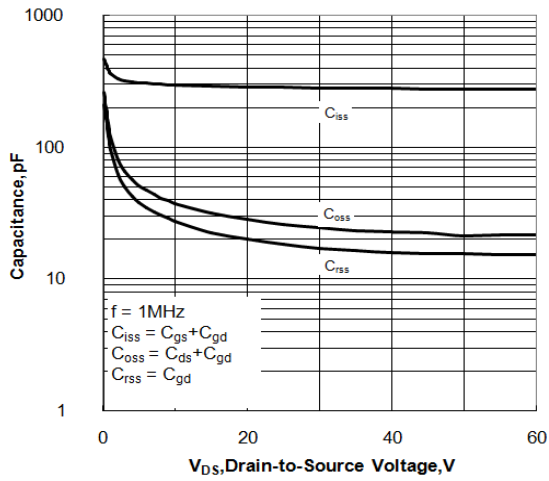


Figure 12. Capacitance Characteristics

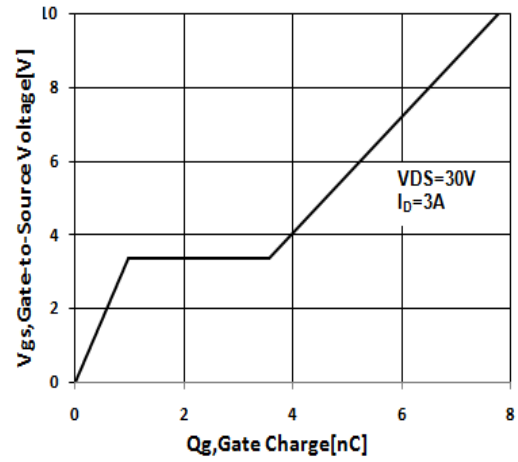


Figure 13 Typical Gate Charge vs Gate to Source Voltage

Test Circuit and Waveform



Figure 14. Gate Charge Test Circuit

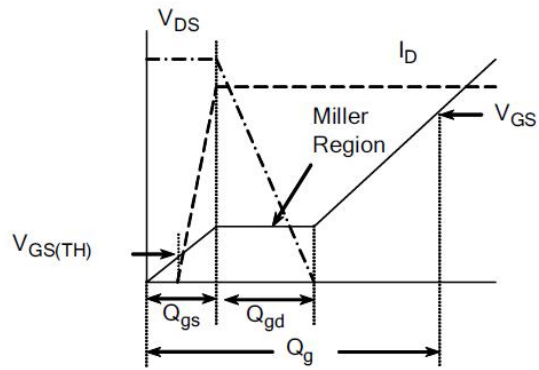


Figure 15. Gate Charge Waveforms

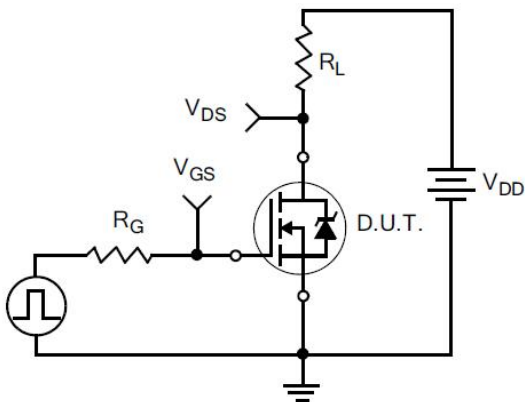


Figure 16. Resistive Switching Test Circuit



Figure 17. Resistive Switching Waveforms



Figure 18. Diode Reverse Recovery Test Circuit



Figure 19. Diode Reverse Recovery Waveform

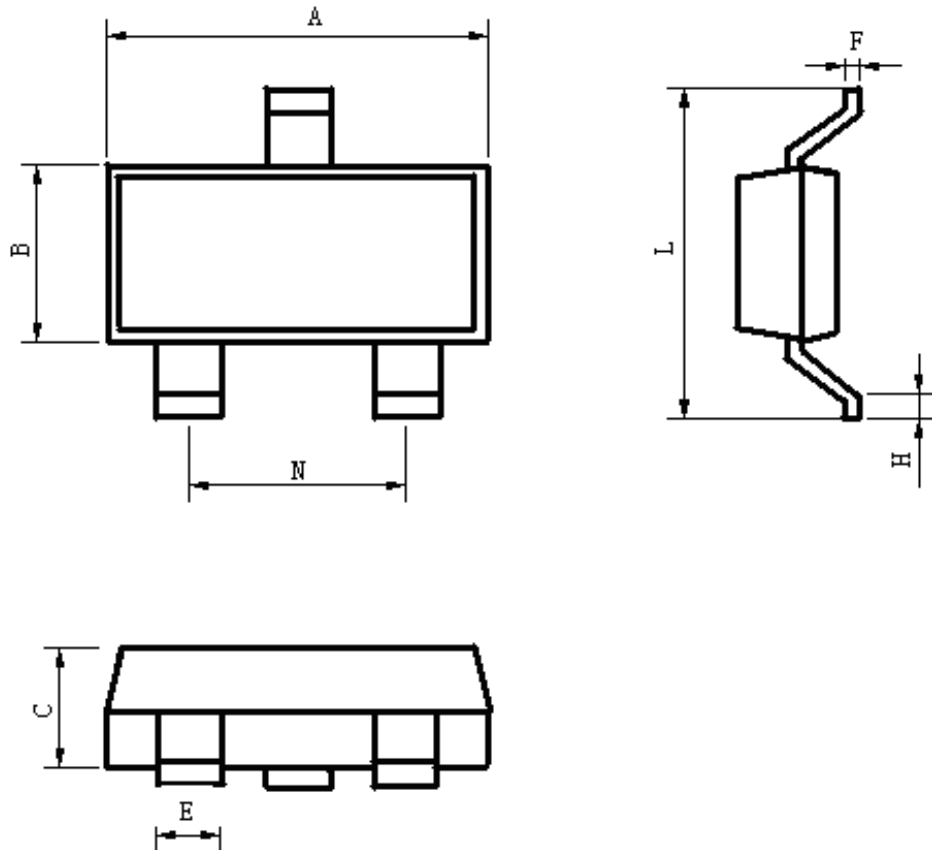


Figure 20. Unclamped Inductive Switching Test Circuit



Figure 21. Unclamped Inductive Switching Waveform

Package Information



Items	Values(mm)	
	MIN	MAX
A	2.70	3.10
B	1.10	1.50
C	0.90	1.10
E	0.25	0.55
F	0.07	0.23
H	0.25	0.55
L	2.20	2.60
N	1.80	2.00

SOT-23 Package

The name and content of poisonous and harmful material in products

Part's Name	Hazardous Substance									
	Pb	Hg	Cd	Cr(VI)	PBB	PBDE	DEHP	DBP	BBP	
Limit	≤0.1%	≤0.1%	≤0.01%	≤0.1%	≤0.1%	≤0.1%	≤0.1%	≤0.1%	≤0.1%	≤0.1%
Lead Frame	○	○	○	○	○	○	○	○	○	○
Molding	○	○	○	○	○	○	○	○	○	○
Chip	○	○	○	○	○	○	○	○	○	○
Wire Bonding	○	○	○	○	○	○	○	○	○	○
Electric glue	○	○	○	○	○	○	○	○	○	○
Note	○: Means the hazardous material is under the criterion of 2011/65/EU. ×: Means the hazardous material exceeds the criterion of 2011/65/EU. The plumbum element of solder exist in products presently, but within the allowed range of Eurogroup's RoHS.									

Warnings

1. Exceeding the maximum ratings of the device in performance may cause damage to the device, even the permanent failure, which may affect the dependability of the machine. It is suggested to be used under 80 percent of the maximum ratings of the device.
2. When installing the heat sink, please pay attention to the torsional moment and the smoothness of the heat sink.
3. VDMOSFETs is the device which is sensitive to the static electricity, it is necessary to protect the device from being damaged by the static electricity when using it.
4. This publication is made by Huajing Microelectronics and subject to regular change without notice.

WUXI CHINA RESOURCES HUAJING MICROELECTRONICS CO., LTD.

Add: No.14 Liangxi RD. Wuxi, Jiangsu, China Mail:214061 <http://www.crhj.com.cn>
 Tel: +86 0510-85807228 Fax: +86- 0510-85800864

Marketing Part: Post: 214061 Tel: +86 0510-81805277/81805336
 Fax: +86 0510-85800360/85803016

Application and Service: Post: 214061 Tel / Fax: +86- 0510-81805243/81805110

单击下面可查看定价，库存，交付和生命周期等信息

[>>CRMICRO\(华润微\)](#)