



Silicon N-Channel Power MOSFET



HGR11N04A-G

General Description:

HGR11N04A-G, the silicon N-channel Enhanced VDMOSFETs, is obtained by the high density Trench technology which reduce the conduction loss, improve switching performance and enhance the avalanche energy. This device is suitable for use as A load switch and PWM applications. the package form is PDFN3.3*3.3, which accords with the RoHS standard.

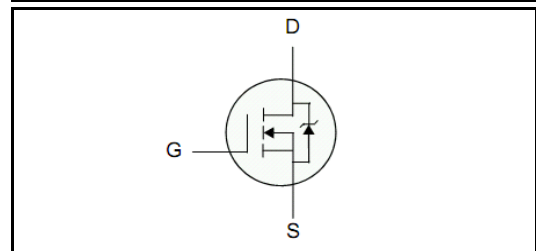
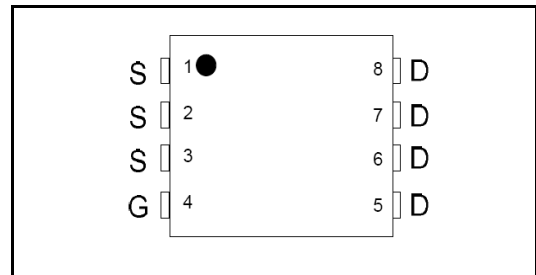
Features:

- Fast Switching
- Low ON Resistance
- Low Gate Charge
- Low Reverse transfer capacitances
- 100% Single Pulse avalanche energy Test
- Halogen Free

Applications:

Power switch circuit of adaptor and charger.

V_{DSS}	45	V
I_D (Silicon limited current)	41	A
P_D	29.2	W
$R_{DS(ON)Typ}$	8.6	mΩ



Absolute ($T_j = 25^\circ\text{C}$ unless otherwise specified)

Symbol	Parameter	Rating	Units
V_{DSS}	Drain-to-Source Voltage	45	V
I_D	Continuous Drain Current $T_C = 25^\circ\text{C}$ (Silicon limited current)	41	A
	Continuous Drain Current $T_C = 25^\circ\text{C}$ (Package limited)	52.5	A
	Continuous Drain Current $T_C = 100^\circ\text{C}$	27.3	A
I_{DM}^{a1}	Pulsed Drain Current $T_C = 25^\circ\text{C}$	109.2	A
V_{GS}	Gate-to-Source Voltage	± 18	V
E_{AS}^{a2}	Avalanche Energy	48.3	mJ
P_D	Power Dissipation $T_C = 25^\circ\text{C}$	29.2	W
	Derating Factor above 25°C	0.23	W/ $^\circ\text{C}$
T_j, T_{stg}	Operating Junction and Storage Temperature Range	150, -55 to 150	$^\circ\text{C}$

Electrical Characteristics (T_j= 25°C unless otherwise specified) :

OFF Characteristics						
Symbol	Parameter	Test Conditions	Rating			Units
			Min.	Typ.	Max.	
V _{DSS}	Drain to Source Breakdown Voltage	V _{GS} =0V, I _D =250μA	45	--	--	V
I _{DSS}	Drain to Source Leakage Current	V _{DS} =45V, V _{GS} = 0V, T _j = 25°C	--	--	1	μA
		V _{DS} =36V, V _{GS} = 0V, T _j = 125°C	--	--	100	
I _{GSS(F)}	Gate to Source Forward Leakage	V _{GS} =18V	--	--	100	nA
I _{GSS(R)}	Gate to Source Reverse Leakage	V _{GS} =-18V	--	--	-100	nA

ON Characteristics

Symbol	Parameter	Test Conditions	Rating			Units
			Min.	Typ.	Max.	
R _{DS(ON)}	Drain-to-Source On-Resistance	V _{GS} =10V, I _D =19A	--	8.6	11	mΩ
		V _{GS} =4.5V, I _D =19A	--	12.6	16	mΩ
V _{GS(TH)}	Gate Threshold Voltage	V _{DS} = V _{GS} , I _D = 250μA	1	1.5	2	V

Pulse width tp≤300μs, δ≤2%

Dynamic Characteristics

Symbol	Parameter	Test Conditions	Rating			Units
			Min.	Typ.	Max.	
R _g	Gate resistance	V _{GS} =0V, V _{DS} =0V, f=1MHz	--	1.9	--	Ω
C _{iss}	Input Capacitance	V _{GS} = 0V V _{DS} = 20V f = 1.0MHz	--	553	--	pF
C _{oss}	Output Capacitance		--	305	--	
C _{rss}	Reverse Transfer Capacitance		--	30.6	--	

Resistive Switching Characteristics

Symbol	Parameter	Test Conditions	Rating			Units
			Min.	Typ.	Max.	
t _{d(ON)}	Turn-on Delay Time	V _{GS} =10V R _g =6Ω V _{DD} =20V I _d =19A	--	7.4	--	ns
t _r	Rise Time		--	4.3	--	
t _{d(OFF)}	Turn-Off Delay Time		--	25.5	--	
t _f	Fall Time		--	7	--	
Q _g	Total Gate Charge	V _{GS} = 10V V _{DD} =20V I _d =19A	--	11	--	nC
Q _{gs}	Gate to Source Charge		--	1.5	--	
Q _{gd}	Gate to Drain ("Miller") Charge		--	2.5	--	

Source-Drain Diode Characteristics						
Symbol	Parameter	Test Conditions	Rating			Units
			Min.	Typ.	Max.	
I_S	Continuous Source Current (Body Diode)	$T_C = 25\text{ }^\circ\text{C}$	--	--	41	A
I_{SM}	Maximum Pulsed Current (Body Diode)		--	--	164	A
V_{SD}	Diode Forward Voltage	$I_S=19A, V_{GS}=0V$	--	--	1.2	V
t_{rr}	Reverse Recovery Time	$I_S=19A$ $di/dt=100A/\mu s,$ $V_{GS}=0V$	--	20.5	--	ns
Q_{rr}	Reverse Recovery Charge		--	9.7	--	nC

Pulse width $t_p \leq 300\mu s, \delta \leq 2\%$

Symbol	Parameter	Max.	Units
$R_{\theta JC}$	Junction-to-Case	4.3	$^\circ\text{C}/\text{W}$
$R_{\theta JA}$	Junction-to-Ambient	62.5	$^\circ\text{C}/\text{W}$

- a1: Repetitive rating; pulse width limited by maximum junction temperature
- a2: $L=0.5mH, I_{as}=13.9A$ Start $T_J=25^\circ\text{C}$
- a3: Recommend soldering temperature defined by IPC/JEDEC J-STD 020

Characteristics Curve:

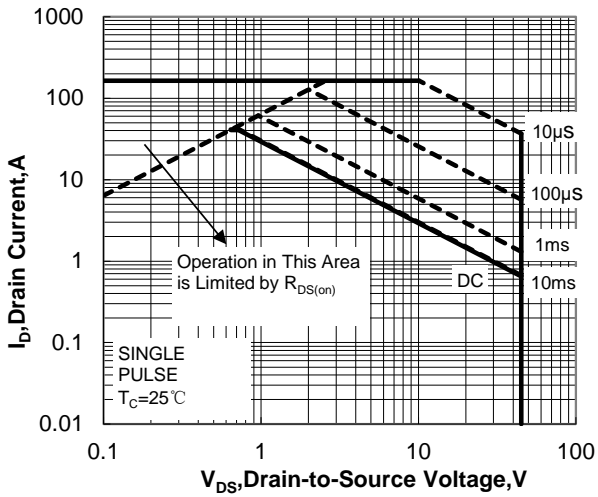


Figure 1 . Maximum Safe Operating Area

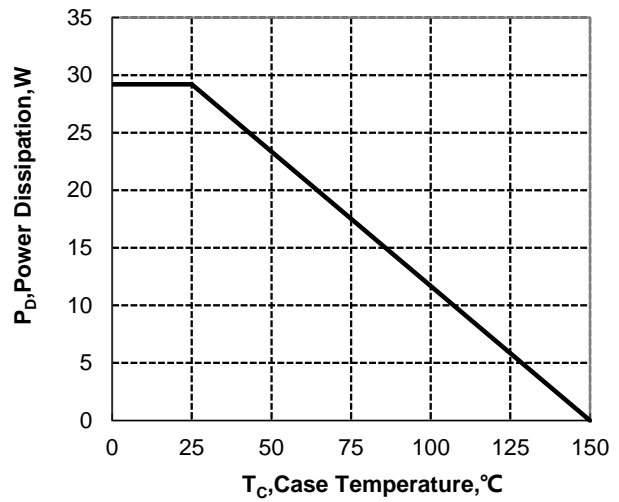


Figure 2. Maximum Power Dissipation vs Case Temperature

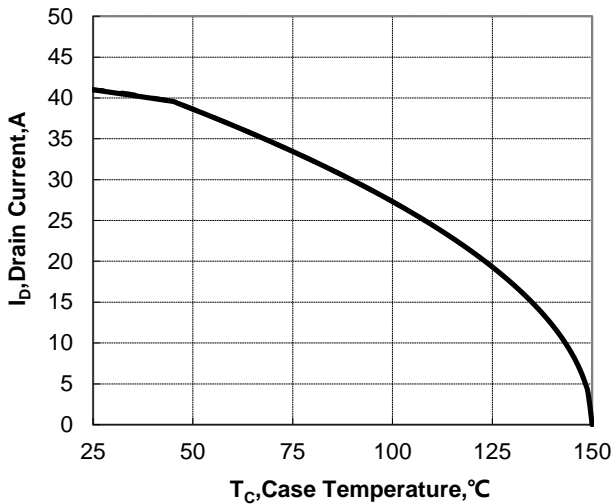


Figure 3. Maximum Continuous Drain Current vs Case Temperature

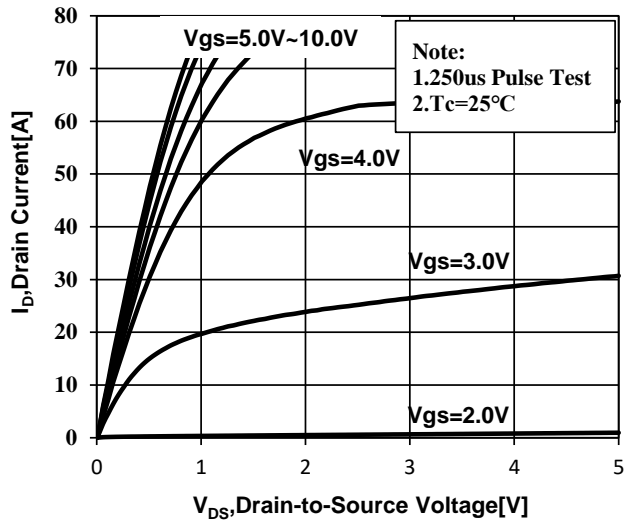


Figure 4. Typical output Characteristics

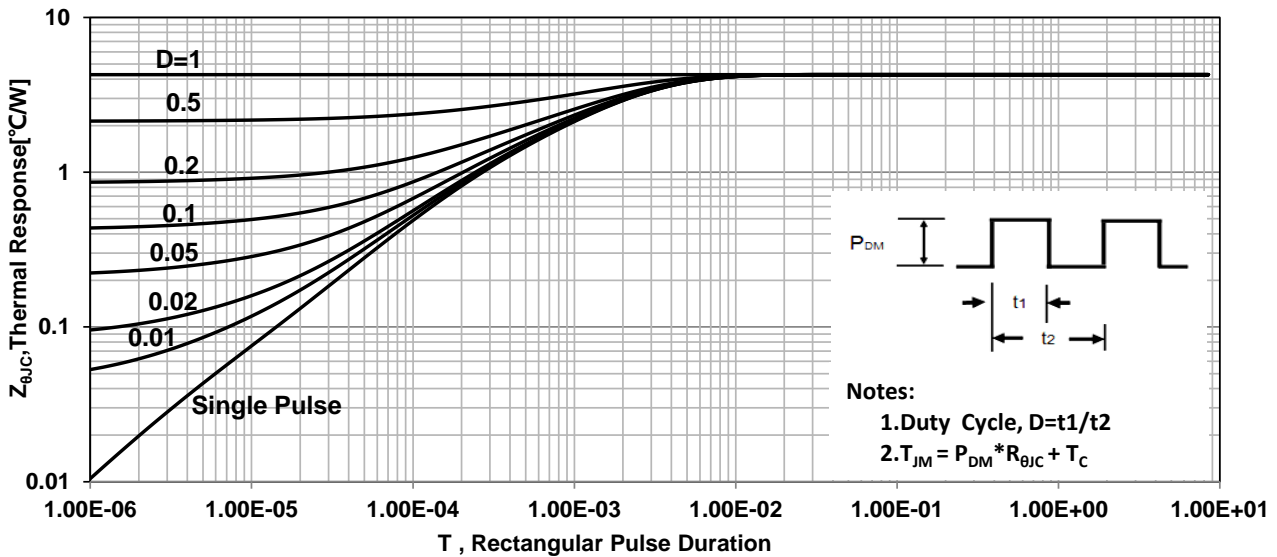


Figure 5 Maximum Effective Thermal Impedance , Junction to Case

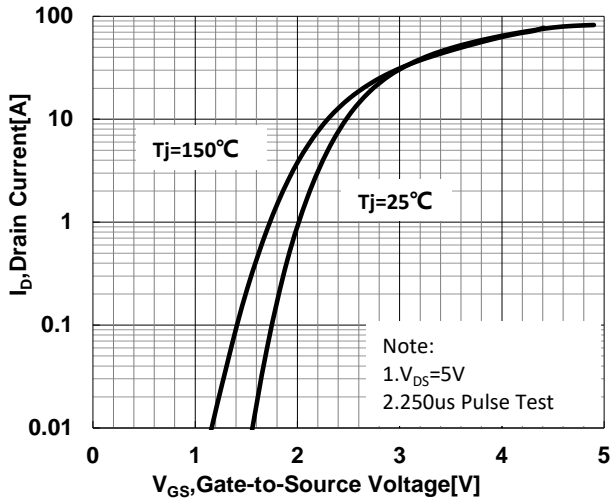


Figure 6 Typical Transfer Characteristics

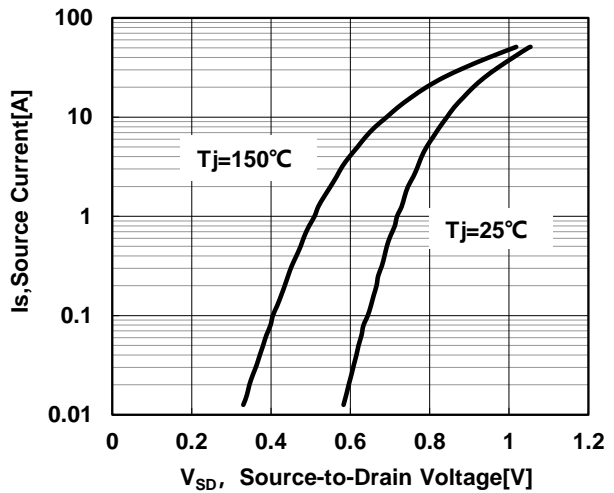


Figure 7 Typical Body Diode Transfer Characteristics

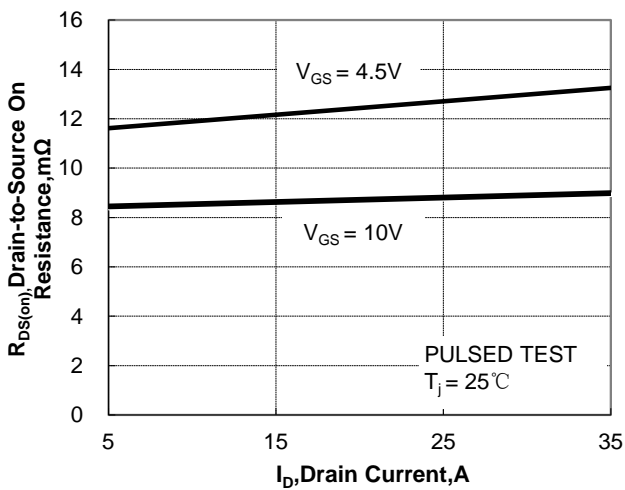


Figure 8. Drain-to-Source On Resistance vs Drain Current

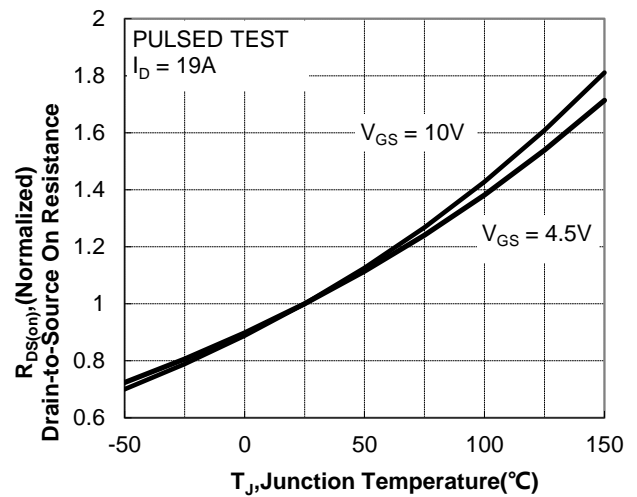


Figure 9. Normalized On Resistance vs Junction Temperature

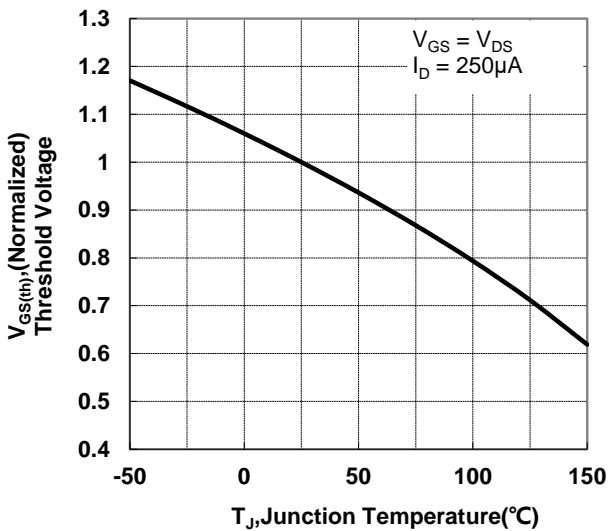


Figure 10. Normalized Threshold Voltage vs Junction Temperature

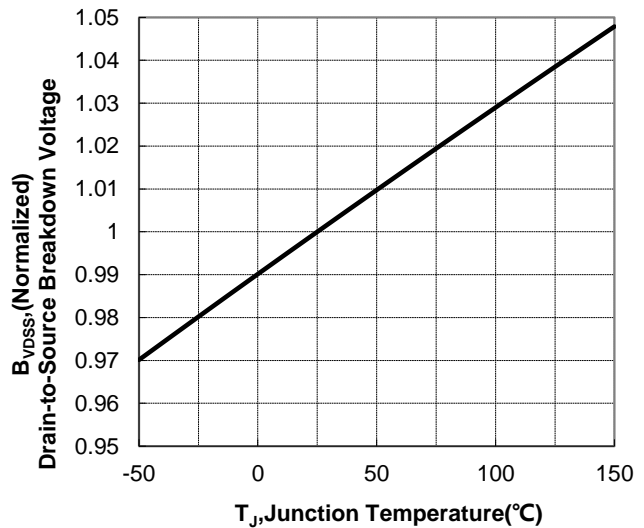


Figure 11. Normalized Breakdown Voltage vs Junction Temperature

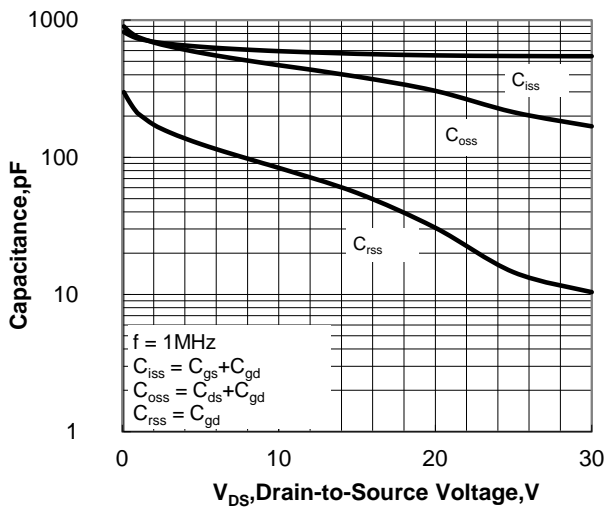


Figure 12. Capacitance Characteristics

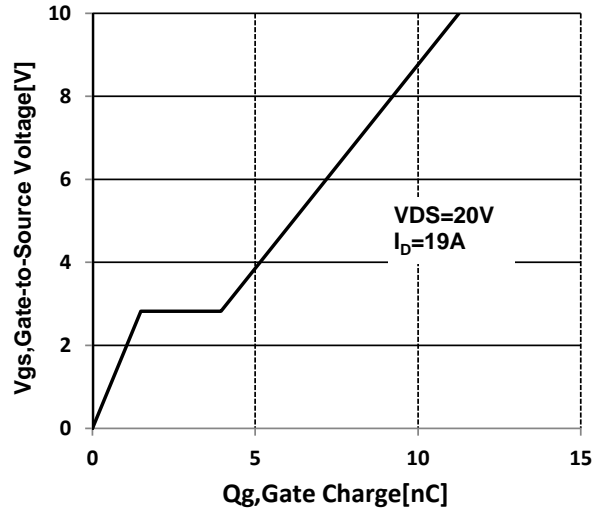


Figure 13 Typical Gate Charge vs Gate to Source Voltage

Test Circuit and Waveform

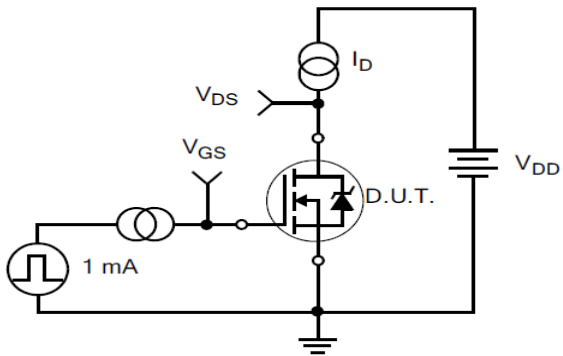


Figure 14. Gate Charge Test Circuit

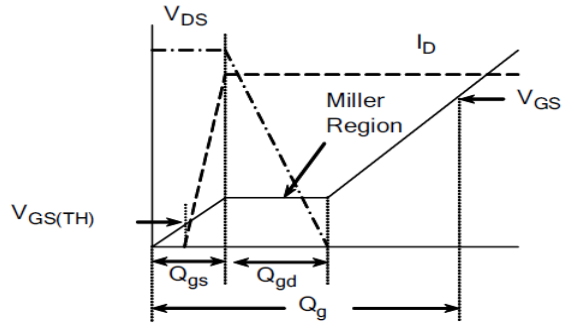


Figure 15. Gate Charge Waveforms

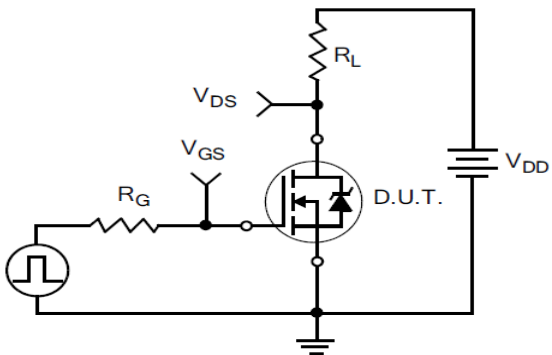


Figure 16. Resistive Switching Test Circuit Waveforms

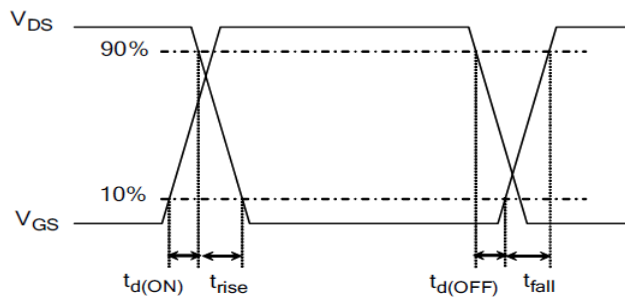


Figure 17. Resistive Switching

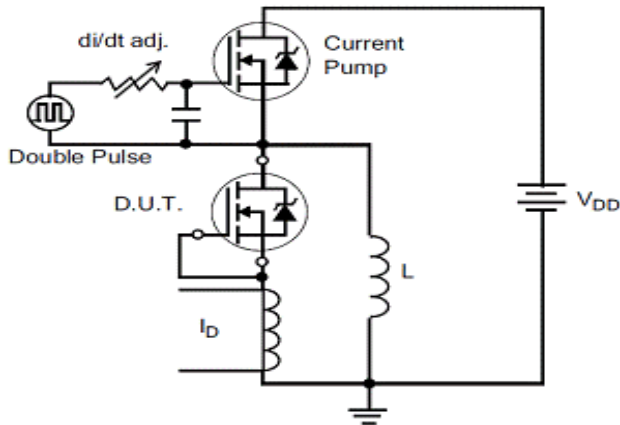


Figure 18. Diode Reverse Recovery Test Circuit Waveform

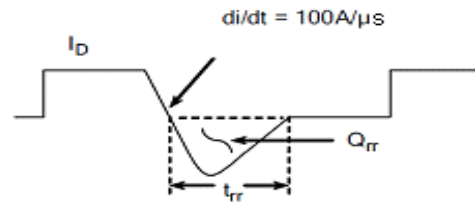


Figure 19. Diode Reverse Recovery

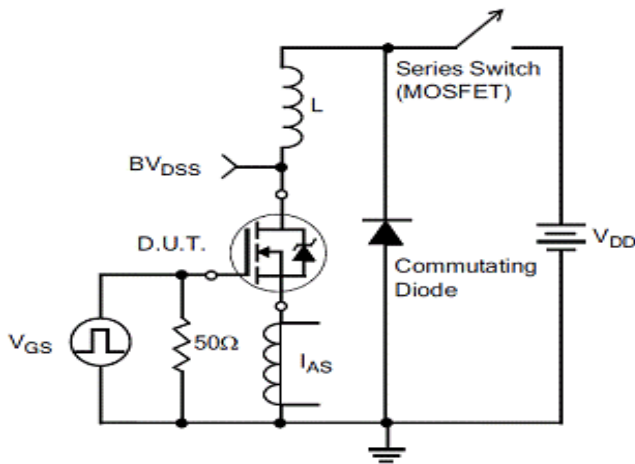


Figure20.Unclamped Inductive Switching Test Circuit Waveform

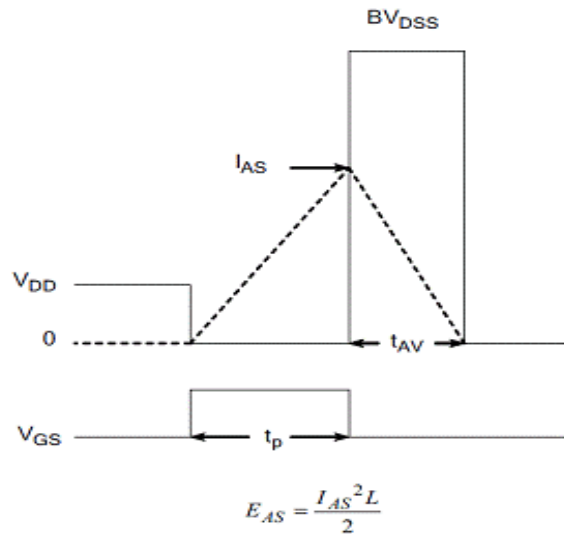
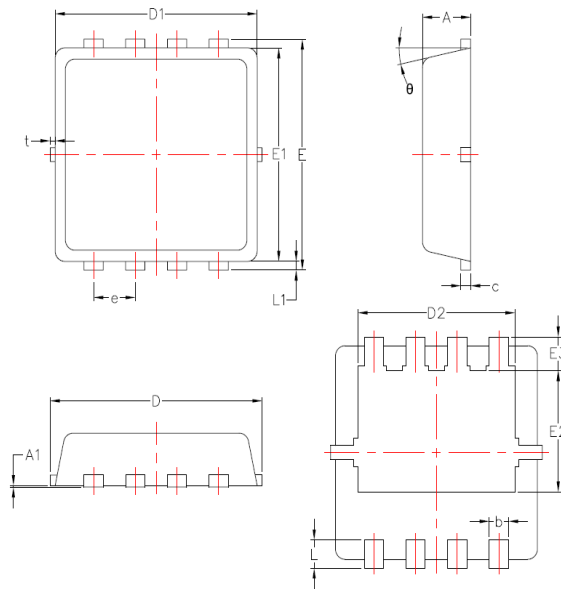


Figure21.Unclamped Inductive Switching

Package Information:


Symbol	Values(mm)	
	MIN	MAX
A	0.7	0.9
A1	/	0.05
b	0.2	0.4
c	0.1	0.25
D	3.05	3.55
D1	2.9	3.35
D2	2.15	2.65
E	3.05	3.55
E1	2.8	3.3
E2	1.54	1.94
E3	0.18	0.65
e	0.55	0.75
L	0.2	0.6
L1	0.05	0.25
t	/	0.15
θ	8°	14°

PDFN3.3×3.3 Package

The name and content of poisonous and harmful material in products

Part's Name	Hazardous Substance									
	Pb	Hg	Cd	Cr (VI)	PBB	PBDE	DIBP	DEHP	DBP	BBP
Limit	≤0. 1%	≤0. 1%	≤ 0. 01%	≤0. 1%	≤0. 1%	≤0. 1%	≤0. 1%	≤0. 1%	≤0. 1%	≤0. 1%
Lead Frame	○	○	○	○	○	○	○	○	○	○
Molding	○	○	○	○	○	○	○	○	○	○
Chip	○	○	○	○	○	○	○	○	○	○
Wire Bonding	○	○	○	○	○	○	○	○	○	○
Electric glue	○	○	○	○	○	○	○	○	○	○
Note	○: Means the hazardous material is under the criterion of 2011/65/EU. ×: Means the hazardous material exceeds the criterion of 2011/65/EU. The plumbum element of solder exist in products presently, but within the allowed range of Eurogroup's RoHS.									

Warnings

1. Exceeding the maximum ratings of the device in performance may cause damage to the device, even the permanent failure, which may affect the dependability of the machine. It is suggested to be used under 80 percent of the maximum ratings of the device.
2. When installing the heatsink, please pay attention to the torsional moment and the smoothness of the heatsink.
3. VDMOSFETs is the device which is sensitive to the static electricity, it is necessary to protect the device from being damaged by the static electricity when using it.
4. This publication is made by Huajing Microelectronics and subject to regular change without notice.

WUXI CHINA RESOURCES HUAJING MICROELECTRONICS CO., LTD.

Add: No.14 Liangxi RD. Wuxi, Jiangsu, China Mail:214061 <http://www.crhj.com.cn>

Tel: +86 0510-85807228 Fax: +86- 0510-85800864

Marketing Part: Post: 214061 Tel: +86 0510-81805277/81805336

Fax: +86 0510-85800360/85803016



HGR11N04A-G



Application and Service: Post: 214061 Tel / Fax: +86-0510-81805243/81805110

单击下面可查看定价，库存，交付和生命周期等信息

[>>CRMICRO\(华润微\)](#)