



CRTD210P04L2-G

General Description:

CRTD210P04L2-G, the silicon P-channel Enhanced VDMOSFETs, is obtained by the high density Trench technology which reduce the conduction loss, improve switching performance and enhance the avalanche energy. This device is suitable for use as a load switch and PWM applications. The package form is TO-252, which accords with the RoHS standard.

Features:

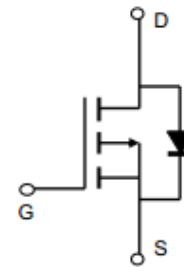
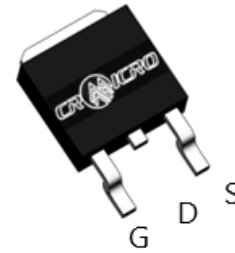
- **Fast Switching**
- **Low ON Resistance ($R_{dson} \leq 21 \text{ m}\Omega$)**
- **Low Gate Charge**
- **Low Reverse transfer capacitances**
- **100% Single Pulse avalanche energy Test**
- **Halogen Free**

Applications:

Power switch circuit of adaptor and charger.

V_{DSS}	-40	V
I_D	-40	A
P_D	48	W
$R_{DS(ON)Typ}$	16	$\text{m}\Omega$

TO-252

**Absolute** ($T_j = 25^\circ\text{C}$ unless otherwise specified)

Symbol	Parameter	Rating	Units
V_{DSS}	Drain-to-Source Voltage	-40	V
I_D	Continuous Drain Current $T_C = 25^\circ\text{C}$	-40	A
	Continuous Drain Current $T_C = 100^\circ\text{C}$	-25.6	A
I_{DM}^{a1}	Pulsed Drain Current $T_C = 25^\circ\text{C}$	-160	A
V_{GS}	Gate-to-Source Voltage	± 18	V
E_{AS}^{a2}	Avalanche Energy	100	mJ
P_D	Power Dissipation $T_C = 25^\circ\text{C}$	48	W
	Derating Factor above 25°C	0.38	$\text{W}/^\circ\text{C}$
T_J, T_{stg}	Operating Junction and Storage Temperature Range	150, -55 to 150	$^\circ\text{C}$

Electrical Characteristics ($T_j = 25^\circ\text{C}$ unless otherwise specified):

OFF Characteristics						
Symbol	Parameter	Test Conditions	Rating			Units
			Min.	Typ.	Max.	
V_{DSS}	Drain to Source Breakdown Voltage	$V_{GS}=0V, I_D=-250\mu A$	-40	--	--	V
I_{DSS}	Drain to Source Leakage Current	$V_{DS}=-40V, V_{GS}=0V, T_j=25^\circ\text{C}$	--	--	-1	μA
		$V_{DS}=-32V, V_{GS}=0V, T_j=125^\circ\text{C}$	--	--	-100	
$I_{GSS(F)}$	Gate to Source Forward Leakage	$V_{GS}=18V$	--	--	100	nA
$I_{GSS(R)}$	Gate to Source Reverse Leakage	$V_{GS}=-18V$	--	--	-100	nA

ON Characteristics						
Symbol	Parameter	Test Conditions	Rating			Units
			Min.	Typ.	Max.	
$R_{DS(ON)}$	Drain-to-Source On-Resistance	$V_{GS}=-10V, I_D=-19A$	--	16	21	$m\Omega$
		$V_{GS}=-4.5V, I_D=-19A$	--	21	30	$m\Omega$
$V_{GS(TH)}$	Gate Threshold Voltage	$V_{DS} = V_{GS}, I_D = -250\mu A$	-1.0	-1.9	-3.0	V
Pulse width $t_p \leq 300\mu s, \delta \leq 2\%$						

Dynamic Characteristics						
Symbol	Parameter	Test Conditions	Rating			Units
			Min.	Typ.	Max.	
R_g	Gate resistance	$V_{GS}=0V, V_{DS}=0V, f=1\text{MHz}$	--	7.8	--	Ω
C_{iss}	Input Capacitance	$V_{GS} = 0V, V_{DS} = -20V, f = 1.0\text{MHz}$	--	2422	--	pF
C_{oss}	Output Capacitance		--	155	--	
C_{rss}	Reverse Transfer Capacitance		--	140	--	

Resistive Switching Characteristics						
Symbol	Parameter	Test Conditions	Rating			Units
			Min.	Typ.	Max.	
$t_{d(ON)}$	Turn-on Delay Time	$V_{GS}=-10V, R_G=3.0\Omega, V_{DD}=-20V, I_D=-19A$	--	13.4	--	ns
t_r	Rise Time		--	7.2	--	
$t_{d(OFF)}$	Turn-Off Delay Time		--	72	--	
t_f	Fall Time		--	16.4	--	
Q_g	Total Gate Charge	$I_D=-19A, V_{DD}=-20V, V_{GS}=-10V$	--	38.8	--	nC
Q_{gs}	Gate to Source Charge		--	6.45	--	
Q_{gd}	Gate to Drain ("Miller") Charge		--	7.6	--	

Source-Drain Diode Characteristics						
Symbol	Parameter	Test Conditions	Rating			Units
			Min.	Typ.	Max.	
I_S	Continuous Source Current (Body Diode)	$T_C = 25\text{ }^\circ\text{C}$	--	--	-40	A
I_{SM}	Maximum Pulsed Current (Body Diode)		--	--	-160	A
V_{SD}	Diode Forward Voltage	$I_S = -19\text{A}, V_{GS} = 0\text{V}$	--	--	-1.2	V
t_{rr}	Reverse Recovery Time	$di/dt = 100\text{A}/\mu\text{s}$	--	25.67	--	ns
Q_{rr}	Reverse Recovery Charge	$IF = -19\text{A}$	--	1.34	--	nC
Pulse width $t_p \leq 300\text{ }\mu\text{s}$, $\delta \leq 2\%$						

Symbol	Parameter	Max.	Units
$R_{\theta JC}$	Junction-to-Case	2.6	$^\circ\text{C}/\text{W}$
$R_{\theta JA}$	Junction-to-Ambient	62.5	$^\circ\text{C}/\text{W}$

^{a1}: Calculated continuous current based on maximum allowable junction temperature. Note that current limitations arising from heating of the device leads may occur with some lead mounting arrangements.

^{a2}: $L = 0.5\text{mH}, I_{as} = -20\text{A}$ Start $T_J = 25\text{ }^\circ\text{C}$

^{a3}: Recommend soldering temperature defined by IPC/JEDEC J-STD 020

Characteristics Curve:

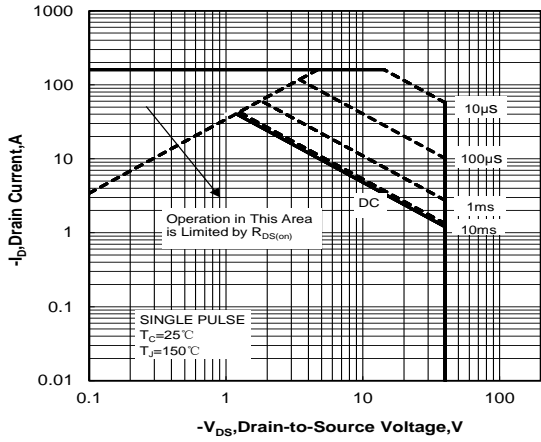


Figure 1 . Maximum Safe Operating Area

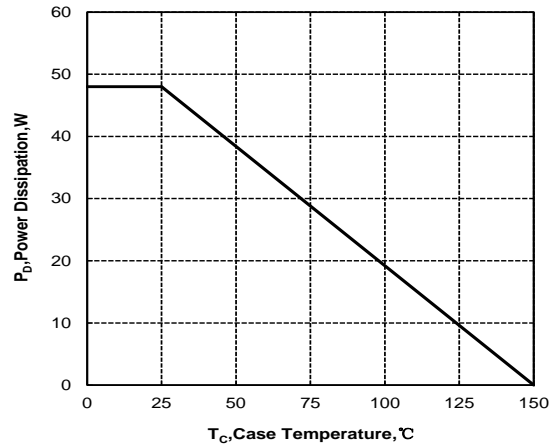


Figure 2. Maximum Power Dissipation vs Case Temperature

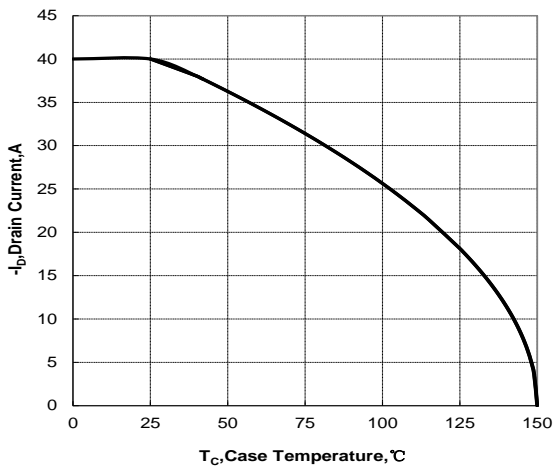


Figure 3. Maximum Continuous Drain Current vs Case Temperature

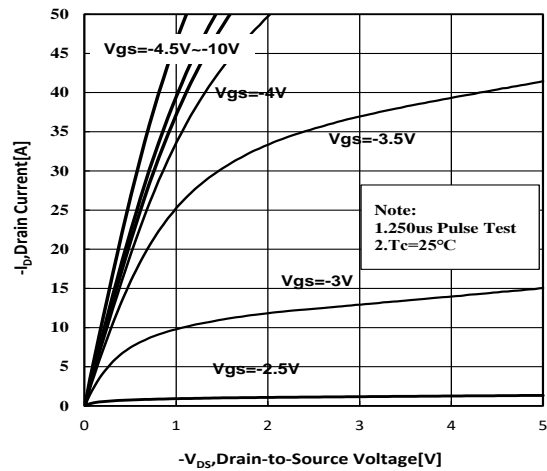


Figure 4. Typical output Characteristics

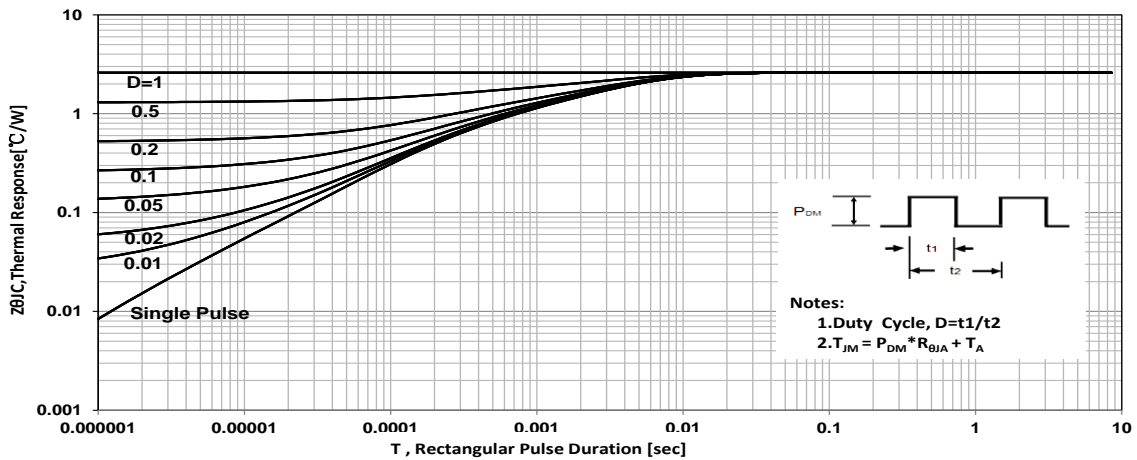


Figure 5 Maximum Effective Thermal Impedance , Junction to Case

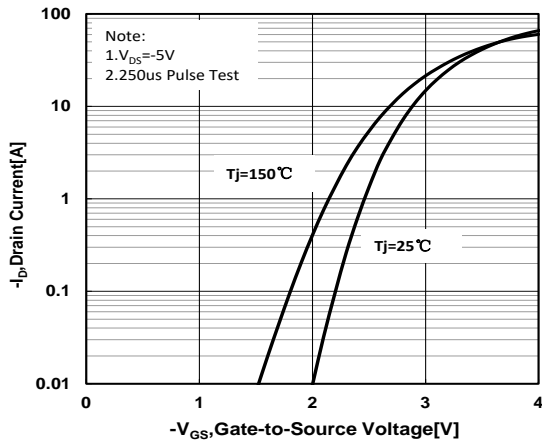


Figure 6 Typical Transfer Characteristics

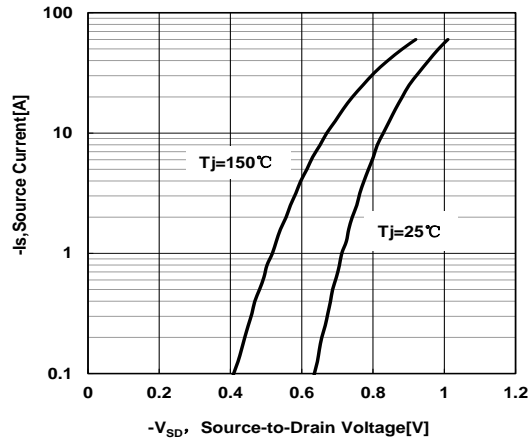


Figure 7 Typical Body Diode Transfer Characteristics

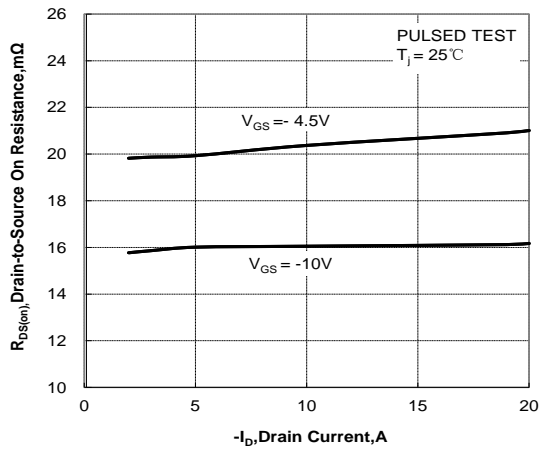


Figure 8. Drain-to-Source On Resistance vs Drain Current

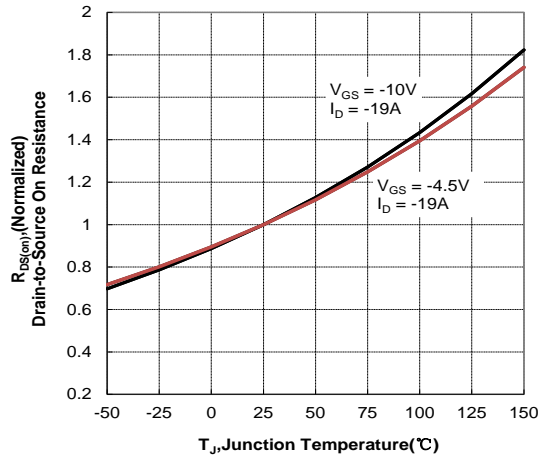


Figure 9. Normalized On Resistance vs Junction Temperature

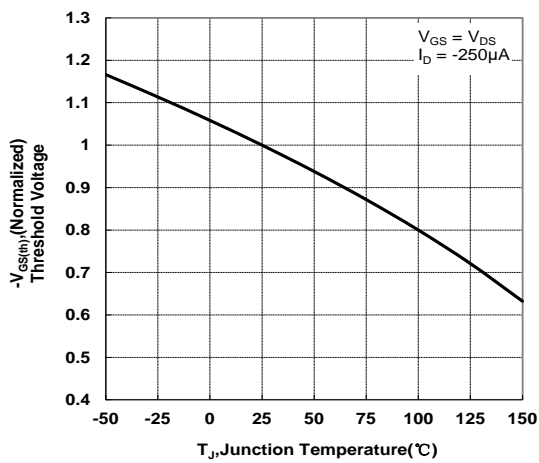


Figure 10. Normalized Threshold Voltage vs Junction Temperature

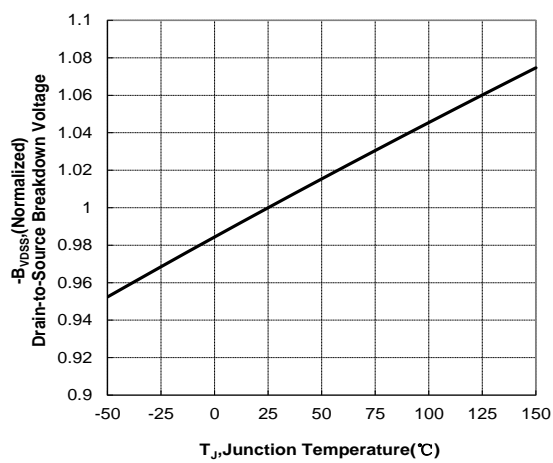


Figure 11. Normalized Breakdown Voltage vs Junction Temperature

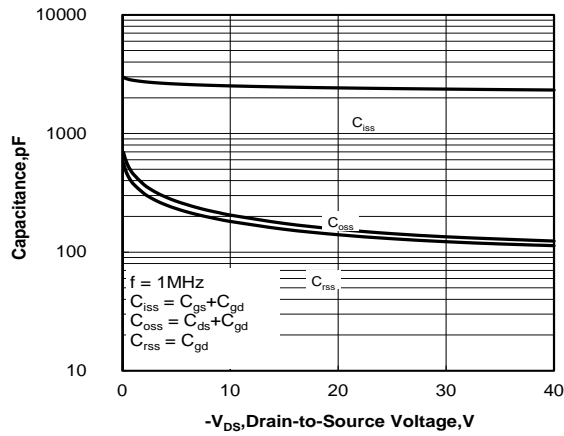


Figure 12. Capacitance Characteristics

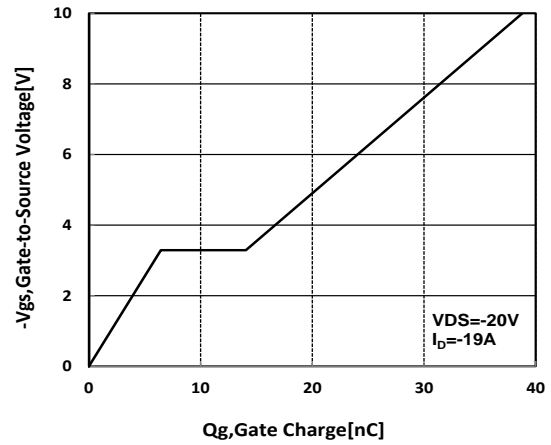


Figure 13 Typical Gate Charge vs Gate to Source Voltage

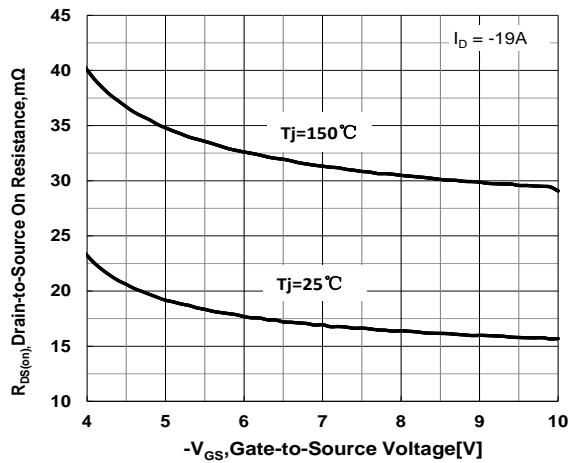


Figure 14 Drain-to-Source On Resistance Gate-to-Source Voltage

Test Circuit and Waveform

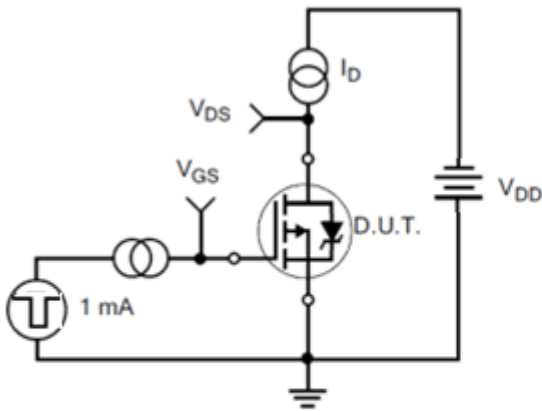


Figure 15. Gate Charge Test Circuit

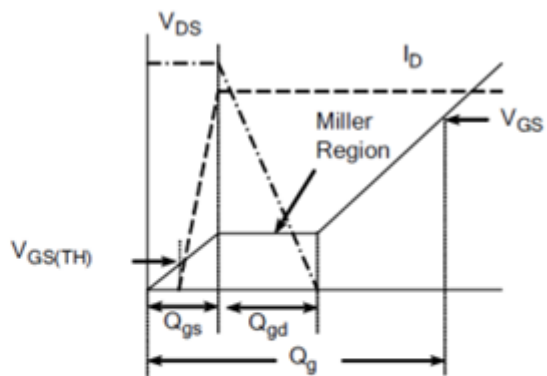


Figure 16. Gate Charge Waveforms

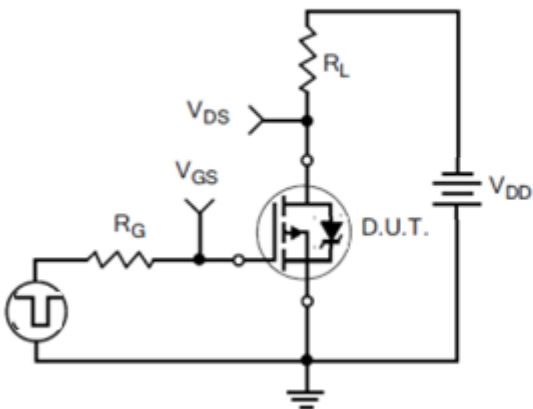


Figure 17. Resistive Switching Test Circuit

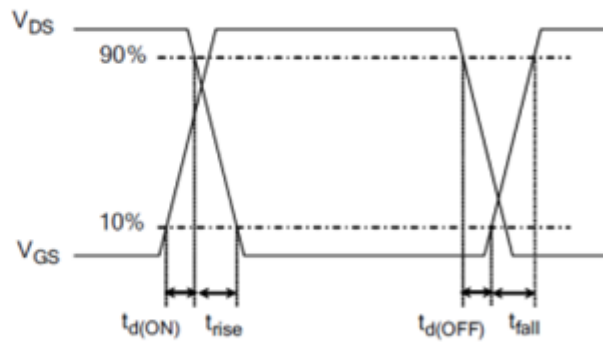


Figure 18. Resistive Switching Waveforms

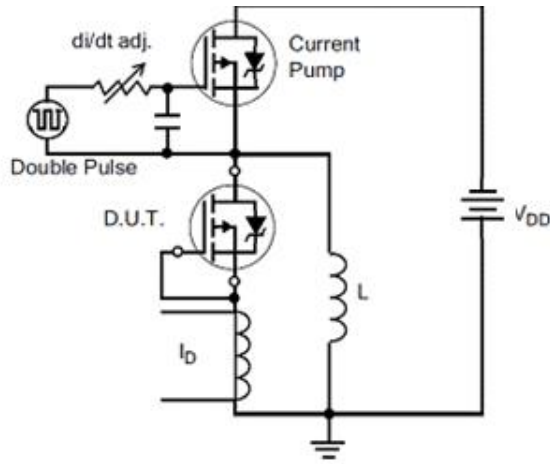


Figure 19. Diode Reverse Recovery Test Circuit

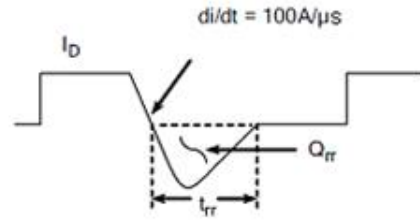


Figure 20. Diode Reverse Recovery Waveform

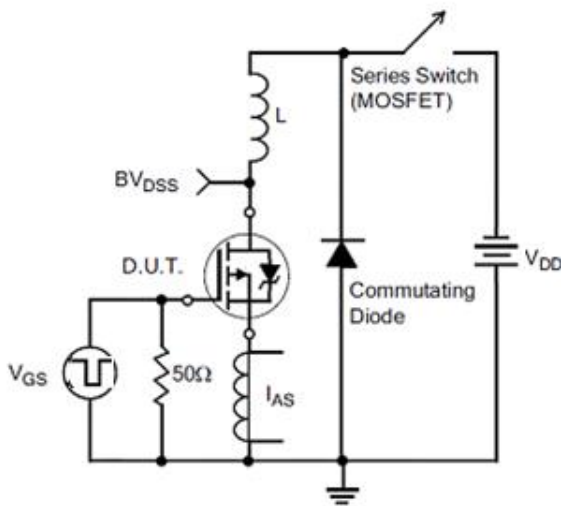


Figure 21. Unclamped Inductive Switching Test Circuit

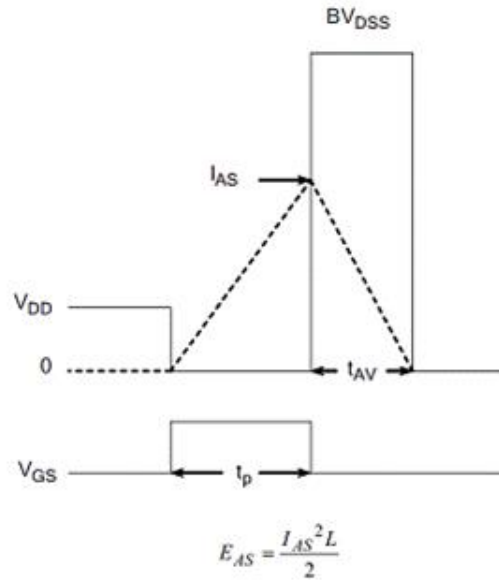
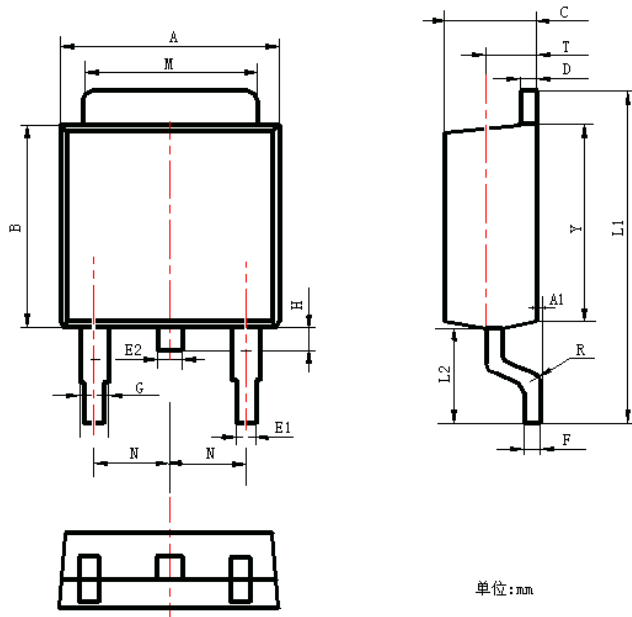


Figure 22. Unclamped Inductive Switching Waveform

Package Information:


Items	Values(mm)	
	MIN	MAX
A	6.30	6.90
A1	0	0.16
B	5.70	6.30
C	2.10	2.50
D	0.30	0.70
E1	0.60	0.90
E2	0.70	1.00
F	0.30	0.60
G	0.70	1.20
L1	9.60	10.50
L2	2.70	3.10
H	0.40	1.00
M	5.10	5.50
N	2.09	2.49
R	0.3	
T	1.40	1.60
Y	5.10	6.30

TO-252 Package

The name and content of poisonous and harmful material in products

	Hazardous Substance									
	Pb	Hg	Cd	Cr (VI)	PBB	PBDE	DIBP	DEHP	DBP	BBP
Limit	≤0.1%	≤0.1%	≤ 0.01%	≤0.1%	≤0.1%	≤0.1%	≤0.1%	≤0.1%	≤0.1%	≤0.1%
Lead Frame	○	○	○	○	○	○	○	○	○	○
Molding	○	○	○	○	○	○	○	○	○	○
Chip	○	○	○	○	○	○	○	○	○	○
Wire Bonding	○	○	○	○	○	○	○	○	○	○
Solder	×	○	○	○	○	○	○	○	○	○
Note	○: Means the hazardous material is under the criterion of 2011/65/EU. ×: Means the hazardous material exceeds the criterion of 2011/65/EU. The plumbum element of solder exist in products presently, but within the allowed range of Eurogroup's RoHS.									

Warnings

1. Exceeding the maximum ratings of the device in performance may cause damage to the device, even the permanent failure, which may affect the dependability of the machine. It is suggested to be used under 80 percent of the maximum ratings of the device.
2. When installing the heatsink, please pay attention to the torsional moment and the smoothness of the heatsink.
3. VDMOSFETs is the device which is sensitive to the static electricity, it is necessary to protect the device from being damaged by the static electricity when using it.
4. This publication is made by Huajing Microelectronics and subject to regular change without notice.

WUXI CHINA RESOURCES HUAJING MICROELECTRONICS CO., LTD.

Add: No.14 Liangxi RD. Wuxi, Jiangsu, China **Mail:**214061 <https://www.crmicro.com>
Tel: +86 0510-85807228 **Fax:** +86- 0510-85800864

Marketing Part: **Post:** 214061 **Tel:** +86 0510-81805277/81805336
Fax: +86 0510-85800360/85803016

Application and Service: **Post:** 214061 **Tel / Fax:** +86- 0510-81805243/81805110

单击下面可查看定价，库存，交付和生命周期等信息

[>>CRMICRO\(华润微\)](#)