



# CTT0223, CTT1223, CTT2223, CTT3223

## 600V Random Phase High Power Photo TRIAC

### Features

- High isolation 5000 VRMS
- Supports 0.3 A, 0.6 A, 0.9 A and 1.2 A
- RoHS compliance
- REACH compliance
- External creepage > 7.5mm
- Internal creepage > 6.0mm
- Insulation distance > 0.4mm
- Regulatory Approvals
  - UL - UL1577 (E364000)
  - VDE - EN60747-5-5(VDE0884-5)
  - CQC – GB4943.1, GB8898
  - IEC60065, IEC60950

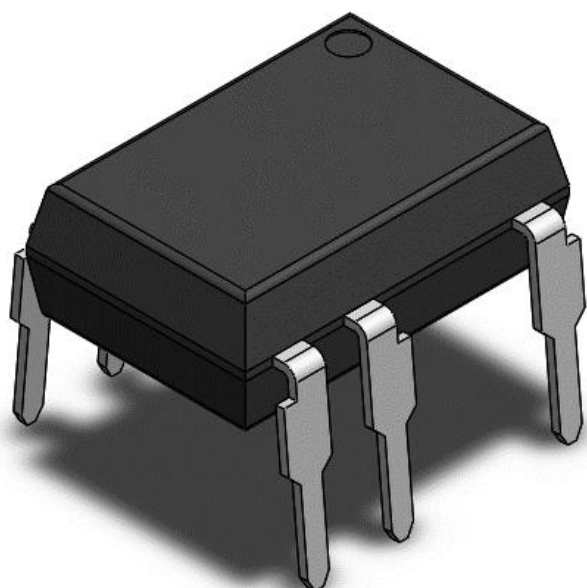
### Description

The random phase power Triac consists of a Triac and a photo-Triac, which is optically coupled to a gallium arsenide Infrared emitting diode, and housed in a 7-lead DIP package. It also comes with different lead forming options.

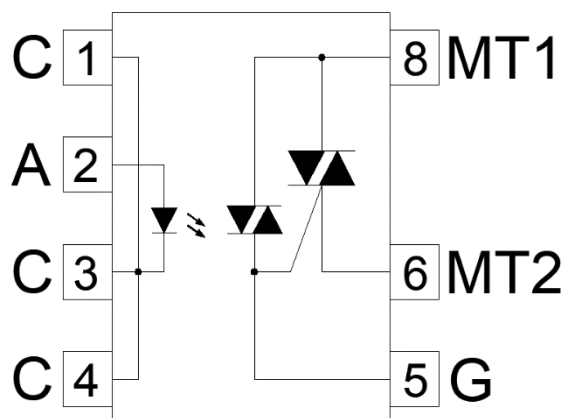
### Applications

- Home appliances
- Industrial equipment

### Package Outline



### Schematic



Note: Different bending options available. See package dimension.



# CTT0223, CTT1223, CTT2223, CTT3223

## 600V Random Phase High Power Photo TRIAC

### Absolute Maximum Rating at 25°C

<b>Symbol</b>	<b>Parameters</b>	<b>Ratings</b>	<b>Units</b>	<b>Notes</b>
V <sub>iso</sub>	Isolation voltage	5000	Vrms	
T <sub>OPR</sub>	Operating temperature	-40 ~+85	°C	
T <sub>STG</sub>	Storage temperature	-40 ~+125	°C	
T <sub>SOL</sub>	Soldering temperature	260	°C	
	Wave soldering temperature	260	°C	
<b>Emitter</b>				
I <sub>F</sub>	LED forward current	50	mA	
V <sub>R</sub>	LED reverse voltage	6	V	
I <sub>FP</sub>	Peak forward current	1	A	
P <sub>in</sub>	Power dissipation	75	mW	
<b>Detector</b>				
V <sub>DRM</sub>	Repetitive peak OFF-state voltage	600	V	
I <sub>T(RMS)</sub>	Continuous Current Load	CTT0223	0.3	A
		CTT1223	0.6	
		CTT2223	0.9	
		CTT3223	1.2	
I <sub>TSM</sub>	Peak Current Load	CTT0223	3	A
		CTT1223	6	
		CTT2223	9	
		CTT3223	12	
P <sub>out</sub>	Power dissipation	800	mW	
P <sub>T</sub>	Total power dissipation	850	mW	



# CTT0223, CTT1223, CTT2223, CTT3223

## 600V Random Phase High Power Photo TRIAC

### Electrical Characteristics $T_A = 25^\circ\text{C}$ (unless otherwise specified)

#### Emitter Characteristics

Symbol	Parameters	Test Conditions	Min	Typ	Max	Units	Notes
$V_F$	Forward voltage	$I_F = 10\text{mA}$	-	-	1.3	V	
$I_R$	Reverse Current	$V_R = 6\text{V}$	-	-	5	$\mu\text{A}$	
$C_{IN}$	Input Capacitance	$f = 1\text{MHz}$	-	45	-	pF	

#### Detector Characteristics

Symbol	Parameters	Test Conditions	Min	Typ	Max	Units	Notes
$I_{DRM}$	Peak Blocking Current	$I_F = 0\text{mA}$ , $V_{DRM} = \text{Rated } V_{DRM}$	-	-	100	$\mu\text{A}$	
$V_{TM}$	Peak On-State Voltage	$I_F = \text{Rated } I_{FT}$ , $I_{TM} = 100\text{mA}$	-	-	2.5	V	
$dv/dt$	Critical Rate of Rise off-State Voltage	$V_{PEAK} = \text{Rated } V_{DRM}$	200	-	-	$\text{V}/\mu\text{s}$	

#### Transfer Characteristics

Symbol	Parameters	Test Conditions	Min	Typ	Max	Units	Notes
$I_{FT}$	Input Trigger Current	Terminal Voltage = 3V	-	-	10	mA	
$I_H$	Holding Current		-	-	25	mA	
$R_{IO}$	Isolation Resistance	$V_{IO} = 500\text{V}_{DC}$	$1 \times 10^{11}$	-	-	$\Omega$	
$C_{IO}$	Isolation Capacitance	$f = 1\text{MHz}$	-	0.25	-	pF	



# CTT0223, CTT1223, CTT2223, CTT3223

## 600V Random Phase High Power Photo TRIAC

### Typical Characteristic Curves

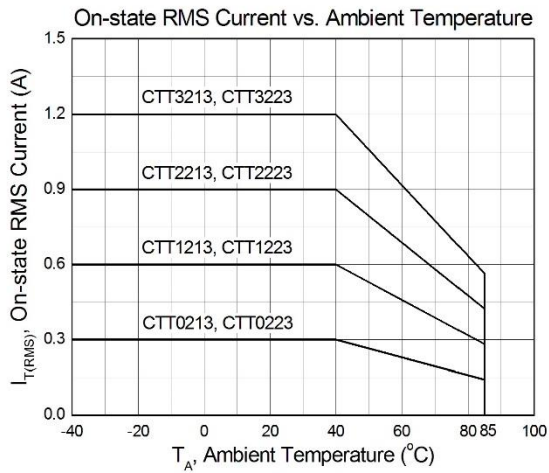


Figure 1

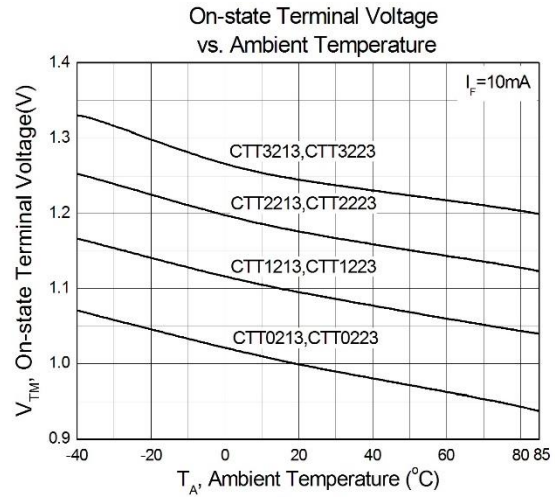


Figure 2

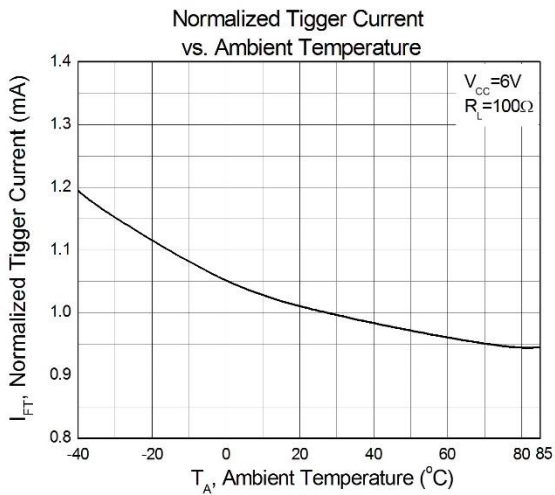


Figure 3

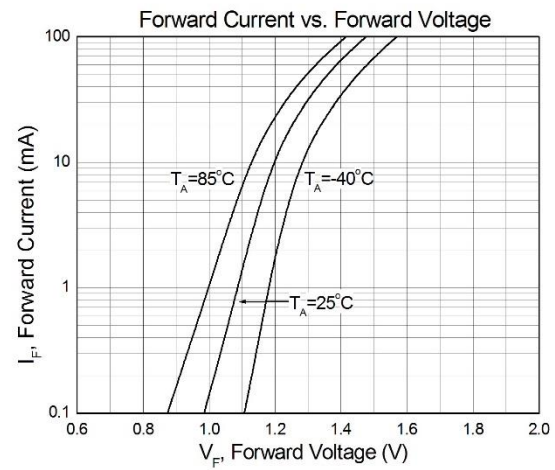


Figure 4

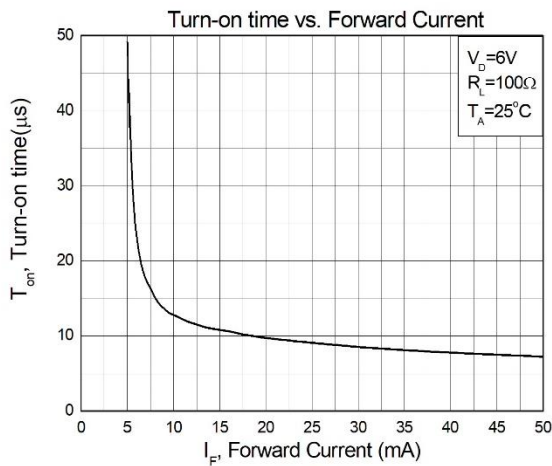


Figure 5

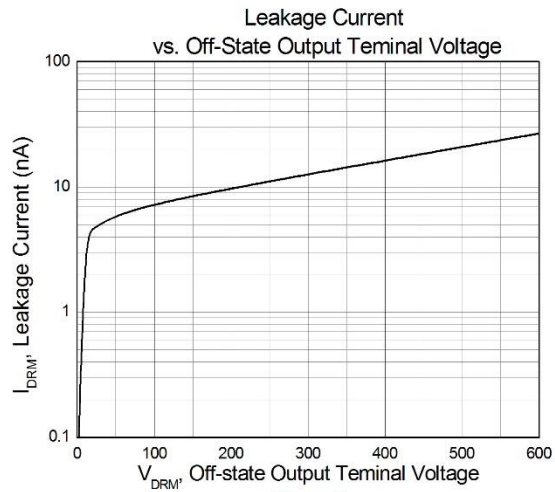
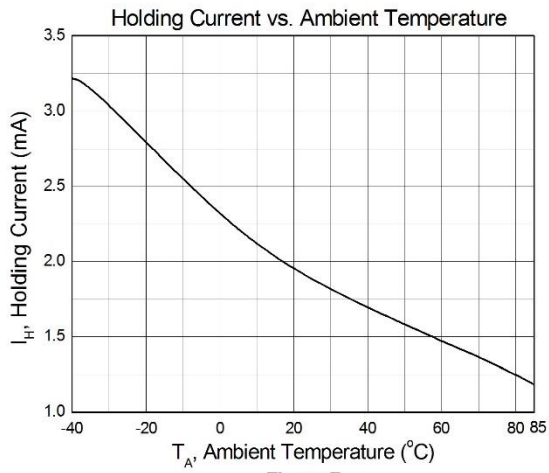


Figure 6



# CTT0223, CTT1223, CTT2223, CTT3223 600V Random Phase High Power Photo TRIAC



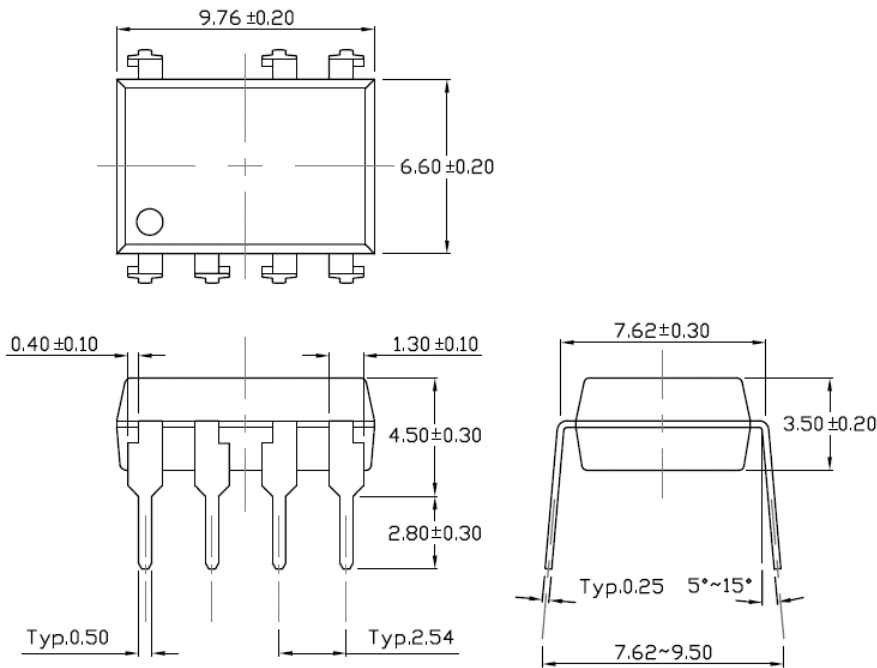


# CTT0223, CTT1223, CTT2223, CTT3223

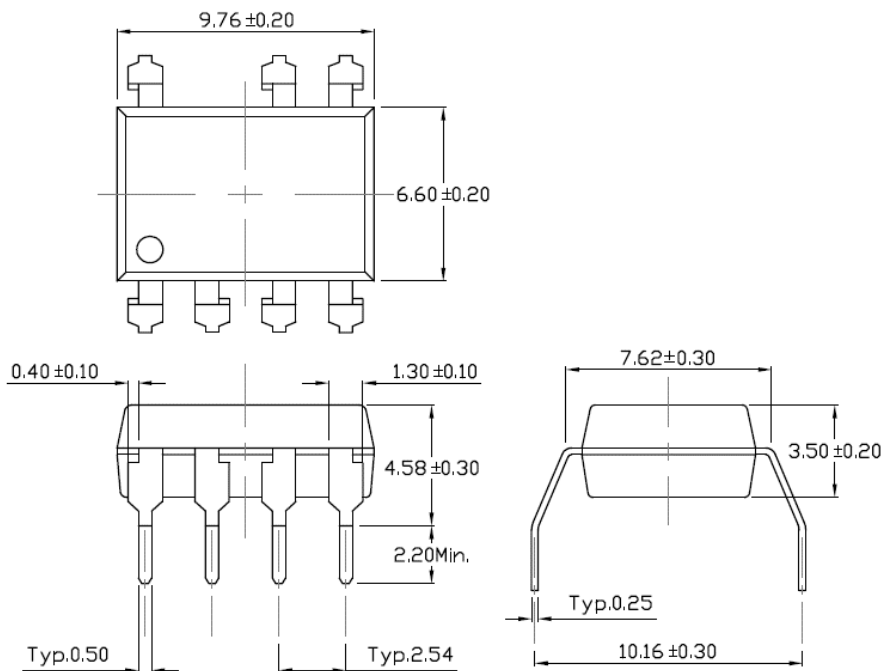
## 600V Random Phase High Power Photo TRIAC

### Package Dimension *Dimensions in mm unless otherwise stated*

#### Standard DIP – Through Hole



#### Gullwing (400mil) Lead Forming – Through Hole (M Type)

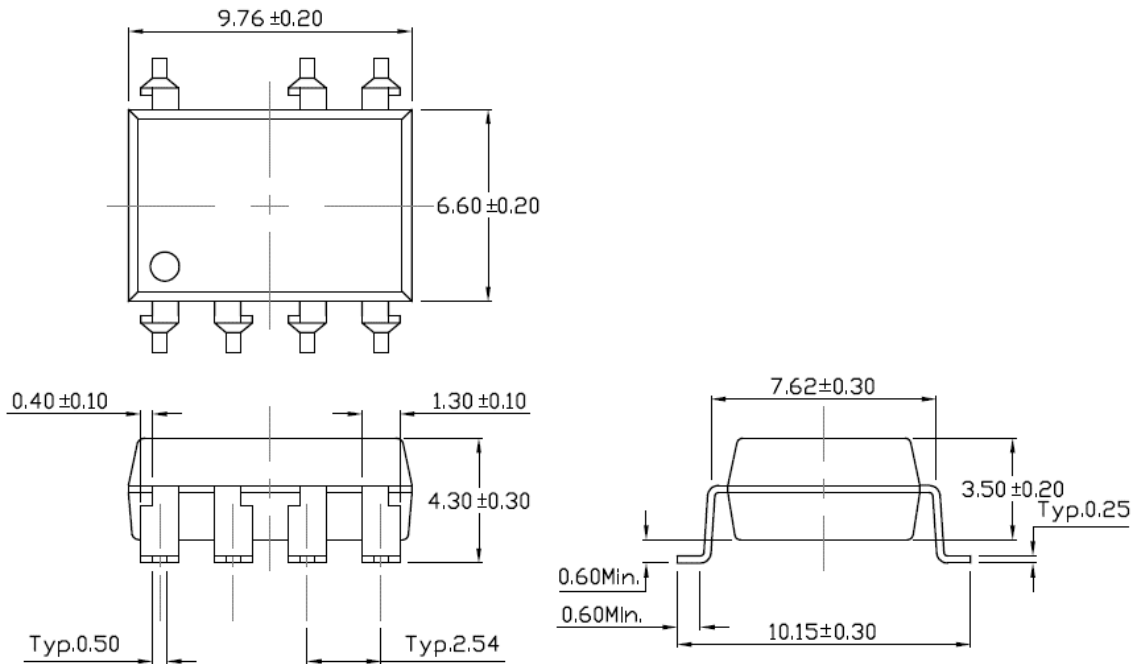




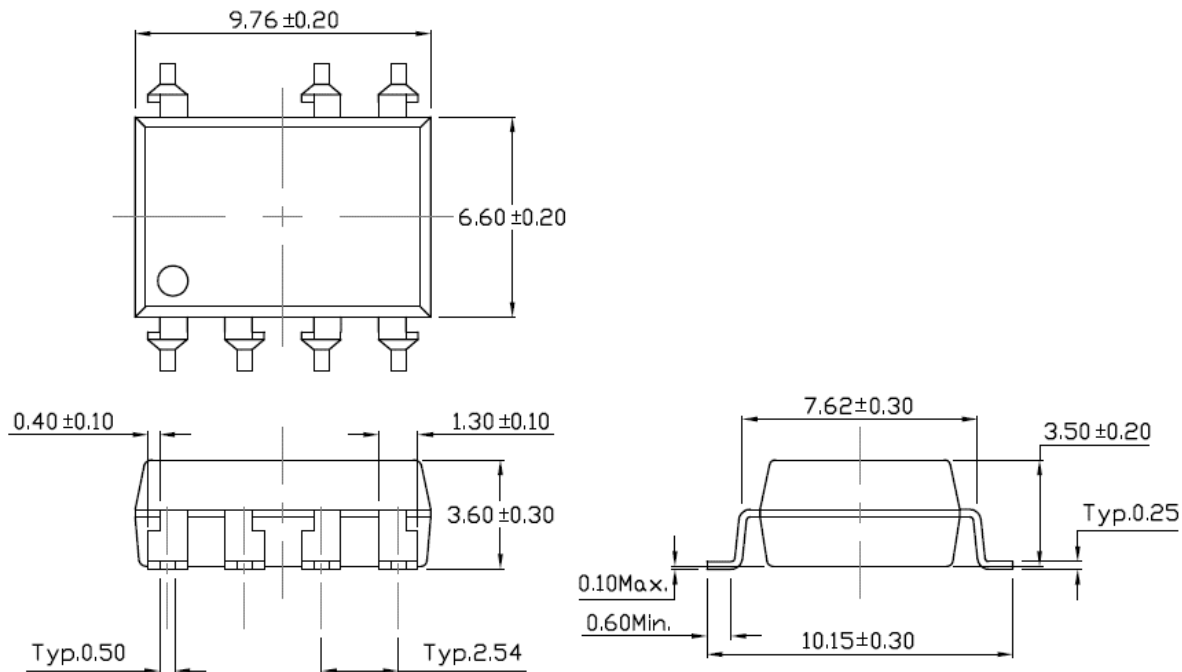
# CTT0223, CTT1223, CTT2223, CTT3223

## 600V Random Phase High Power Photo TRIAC

### Surface Mount Lead Forming (S Type)



### Surface Mount (Low Profile) Lead Forming (SL Type)

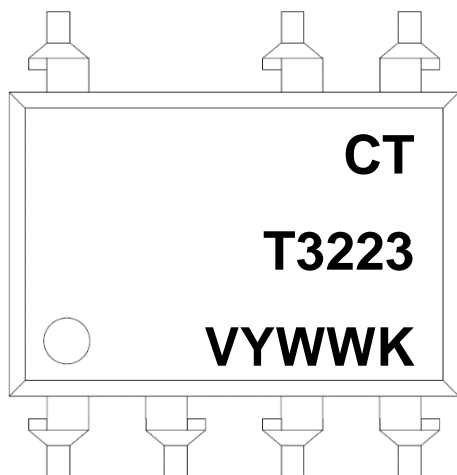




# CTT0223, CTT1223, CTT2223, CTT3223

## 600V Random Phase High Power Photo TRIAC

### Device Marking



**Note:**

- CT : Denotes “CT Micro”
- T3223 : Product Number
- V : VDE Safety Mark (option)
- Y : Fiscal Year
- WW : Work Week
- K : Production Code

### Ordering Information

#### CTTX223(V)(Y)(Z)

- CT = Denotes “CT Micro”
- TX223 = Product Number (Current Rating Option X=0, 1, 2, or 3)
- V = VDE safety mark option (V, or none)
- Y = Lead form option (S, SL, M or none)
- Z = Tape and reel option (T1, T2 or none)

<b>Option</b>	<b>Description</b>	<b>Quantity</b>
None	Standard 8 Pin Dip	40 Units/Tube
M	Gullwing (400mil) Lead Forming	40 Units/Tube
S(T1)	Surface Mount Lead Forming – With Option 1 Taping	1000 Units/Reel
S(T2)	Surface Mount Lead Forming – With Option 2 Taping	1000 Units/Reel
SL(T1)	Surface Mount (Low Profile) Lead Forming– With Option 1 Taping	1000 Units/Reel
SL(T2)	Surface Mount (Low Profile) Lead Forming– With Option 2 Taping	1000 Units/Reel





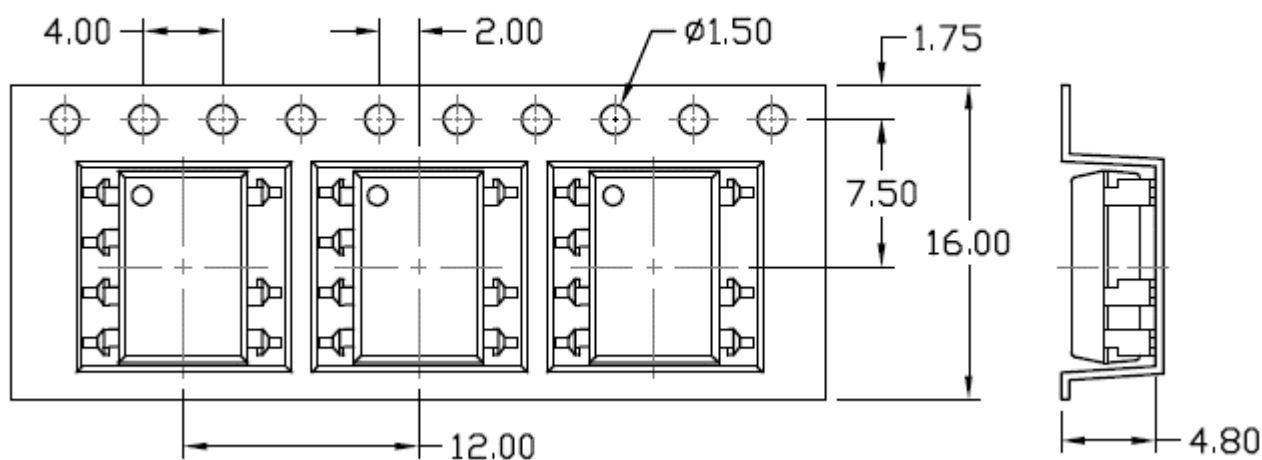
# CTT0223, CTT1223, CTT2223, CTT3223

## 600V Random Phase High Power Photo TRIAC

### Carrier Tape Specifications *Dimensions in mm unless otherwise stated*

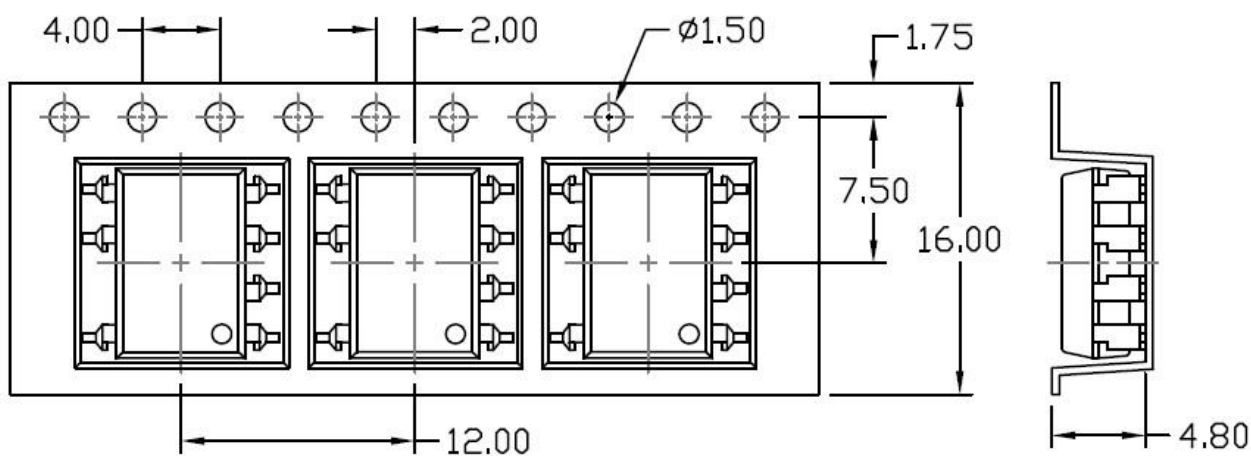
#### Option S(T1) & SL(T1)

Input Direction



#### Option S(T2) & SL(T2)

Input Direction





## CTT0223, CTT1223, CTT2223, CTT3223 600V Random Phase High Power Photo TRIAC

### Wave soldering (JEDEC22A111 compliant)

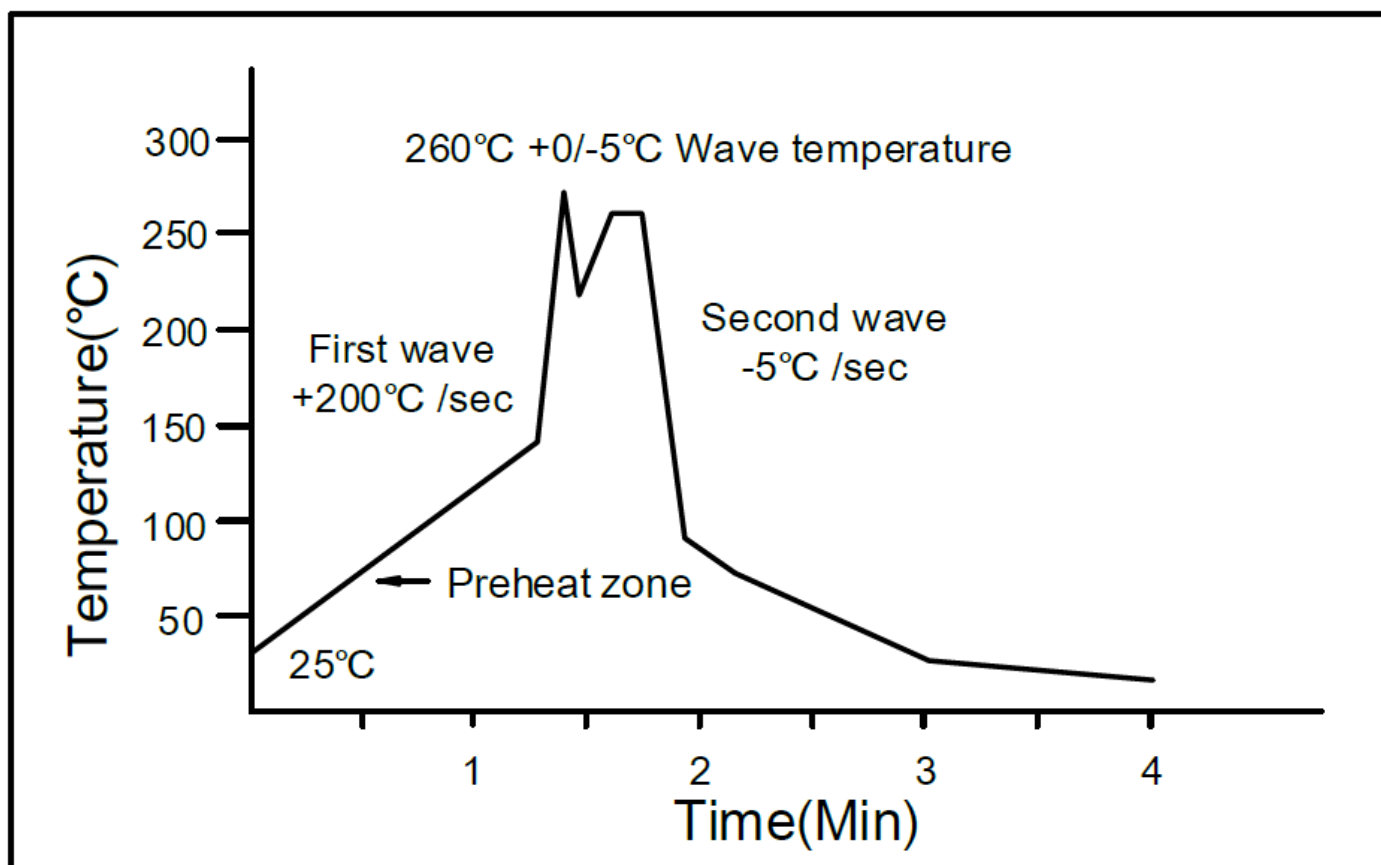
One time soldering is recommended within the condition of temperature.

Temperature:  $260 \pm 5^\circ\text{C}$ .

Time: 10 sec.

Preheat temperature: 25 to  $140^\circ\text{C}$ .

Preheat time: 30 to 80 sec.



### Hand soldering by soldering iron

Allow single lead soldering in every single process.

One time soldering is recommended. Temperature:  $350 \pm 5^\circ\text{C}$

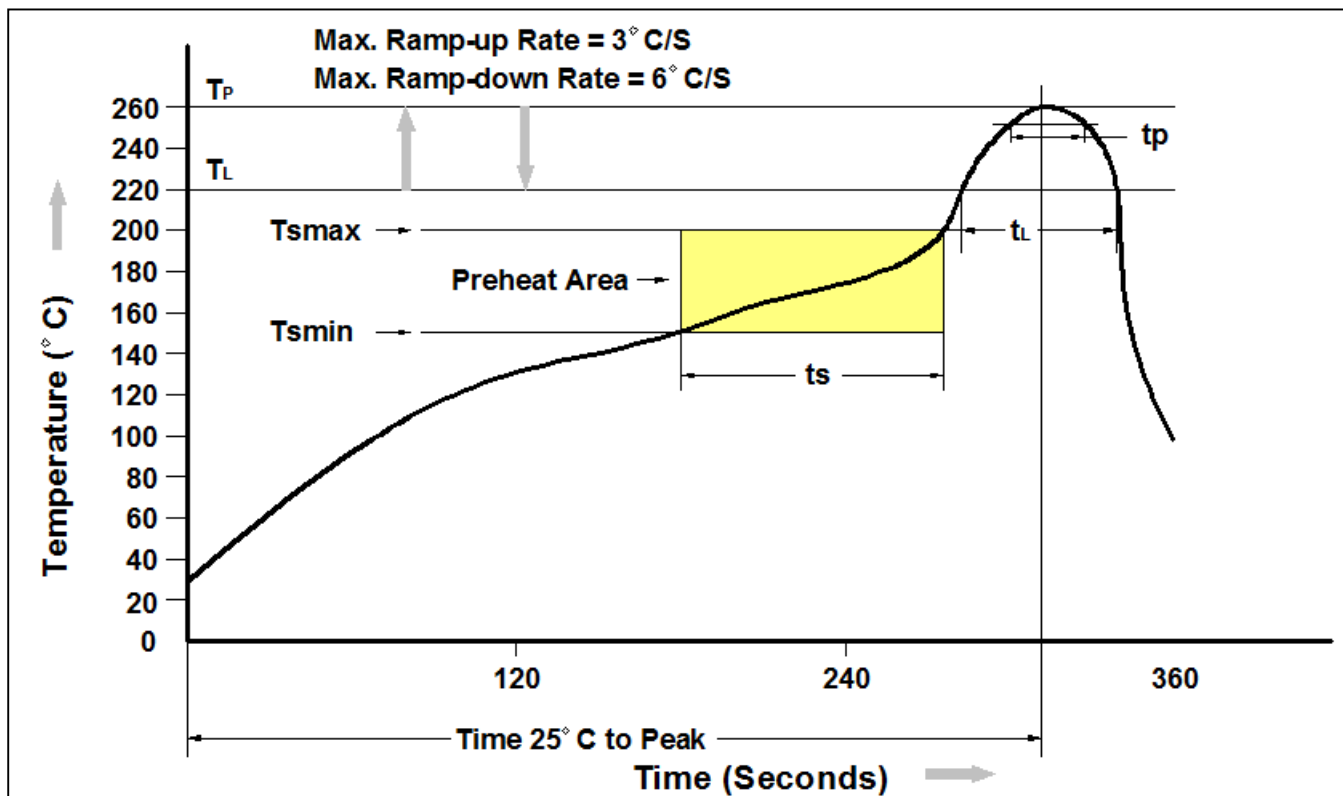
Time: 3 sec max.



# CTT0223, CTT1223, CTT2223, CTT3223

## 600V Random Phase High Power Photo TRIAC

### Reflow Profile



Profile Feature	Pb-Free Assembly Profile
Temperature Min. (Tsmin)	150°C
Temperature Max. (Tsmax)	200°C
Time (ts) from (Tsmin to Tsmax)	60-120 seconds
Ramp-up Rate (tL to tP)	3°C/second max.
Liquidous Temperature (TL)	217°C
Time (tL) Maintained Above (TL)	60 – 150 seconds
Peak Body Package Temperature	260°C +0°C / -5°C
Time (tP) within 5°C of 260°C	30 seconds
Ramp-down Rate (TP to TL)	6°C/second max
Time 25°C to Peak Temperature	8 minutes max.



# CTT0223, CTT1223, CTT2223, CTT3223 600V Random Phase High Power Photo TRIAC

---

## DISCLAIMER

CT MICRO RESERVES THE RIGHT TO MAKE CHANGES WITHOUT FURTHER NOTICE TO ANY PRODUCTS HEREIN TO IMPROVE RELIABILITY, FUNCTION OR DESIGN. CT MICRO DOES NOT ASSUME ANY LIABILITY ARISING OUT OF THE APPLICATION OR USE OF ANY PRODUCT OR CIRCUIT DESCRIBED HEREIN; NEITHER DOES IT CONVEY ANY LICENSE UNDER ITS PATENT RIGHTS, NOR THE RIGHTS OF OTHERS.

---

CT MICRO ARE NOT AUTHORIZED FOR USE AS CRITICAL COMPONENTS IN LIFE SUPPORT DEVICES OR SYSTEMS WITHOUT EXPRESS WRITTEN APPROVAL OF CT MICRO INTERNATIONAL CORPORATION.

- 1. Life support devices or systems are devices or systems which, (a) are intended for surgical implant into the body, or (b) support or sustain life, or (c) whose failure to perform when properly used in accordance with instruction for use provided in the labelling, can be reasonably expected to result in significant injury to the user.*
- 2. A critical component is any component of a life support device or system whose failure to perform can be reasonably expected to cause the failure of the life support device or system, or to affect its safety or effectiveness.*

单击下面可查看定价，库存，交付和生命周期等信息

[>>CT-MICRO\(兆龙科技\)](#)