



CTR214-8L

8-Pin DMC-Isolator®

PhotoMOS Relays

Features

- High isolation 5000 VRMS
- OFF-state output terminal voltage: 400 V (min)
- Operating temperature range - 40 °C to 85 °C
- Creepage distance ≥ 7mm
- Distance through insulation > 0.4mm
- RoHS compliance
- REACH compliance
- Halogen free
- Regulatory Approvals
 - ✓ UL - UL1577 (E364000)
 - ✓ VDE - EN60747-5-5(40039590)
 - ✓ CQC – GB4943.1, GB8898(14001104781)
 - ✓ IEC62368 (FI/41119)

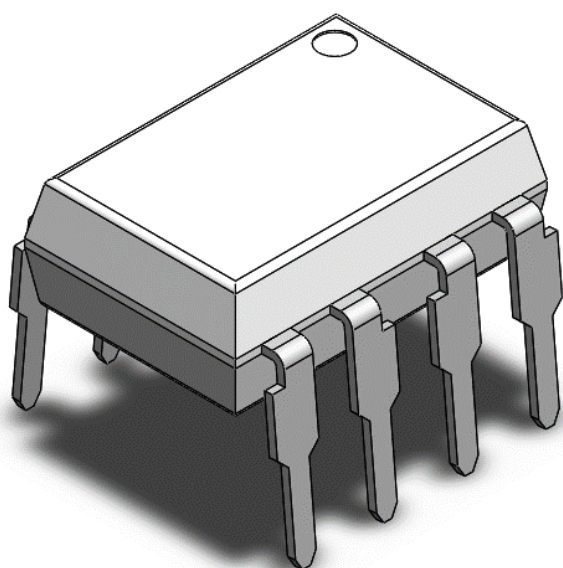
Description

The CTR214-8L (1 form-A x 2) is a dual channel photoMOS relay. Each independent channel consists of two MOSFET and one photovoltaic chip optically coupled to an Infrared-emitting diode in 8 PIN package.

Applications

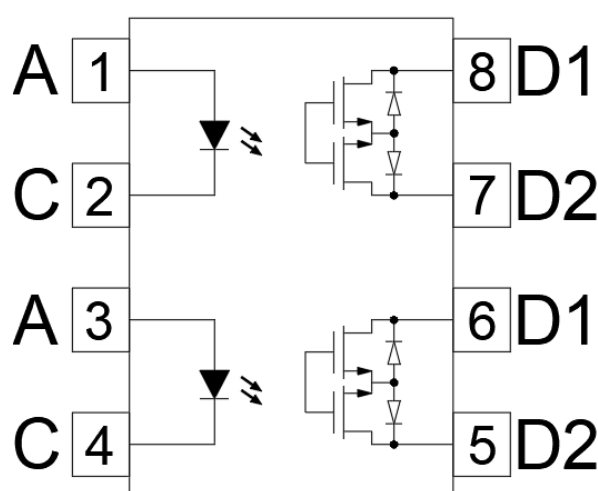
- Battery Management System (BMS)
- Security Systems
- Smart Meters
- Mechanical relay replacements
- General telecom switching
- Industrial controls
- Automatic measurement equipment

Package Outline



Note: Different bending options available. See package dimension.

Schematic





Absolute Maximum Ratings $T_A = 25^{\circ}\text{C}$, unless otherwise specified

Stresses in excess of the absolute maximum ratings can cause permanent damage to the device. Functional operation of the device is not implied at these or any other conditions in excess of those given in the operational sections of this document. In addition, extended exposure to stresses above the recommended operating conditions may affect device reliability. The absolute maximum ratings are stress ratings only.

Symbol	Parameters	Ratings	Units	Notes
V_{ISO}	Isolation voltage (AC, 1 minute)	5000	Vrms	
T_{OPR}	Operating temperature	-40 ~+85	°C	
T_{STG}	Storage temperature	-40 ~+100	°C	
T_{SOL}	Soldering temperature	260	°C	1
Emitter				
I_F	LED forward current	20	mA	
I_{FP}	LED forward current (pulsed) ($\leq 1\mu\text{s P.W, 300pps}$)	100	mA	
V_R	LED reverse voltage	6	V	
P_{in}	Power dissipation	32	mW	
T_j	Junction Temperature	125	°C	
Detector				
V_{OFF}	OFF-state output terminal Voltage	400	V	
I_{ON}	ON-state Current	CTR214	80	mA
		CTR214B	140	mA
P_o	Output Power dissipation	CTR214	320	mW
		CTR214B	392	mW
T_j	Junction Temperature	125	°C	

Notes

- For reflow profile 10 second peak.

Recommended Operating Conditions

Symbol	Parameters	Min	Typ	Max	Units
V_{DD}	Supply Voltage	-	-	320	V
I_{FT}	Trigger LED Current	10	15	25	mA
T_{OPR}	Operating temperature	-40	-	60	°C



Electrical Characteristics $T_A = 25^\circ\text{C}$, unless otherwise specified

Emitter Characteristics

Symbol	Parameters	Test Conditions	Min	Typ	Max	Units	Notes
V_F	Forward voltage	$I_F = 10\text{mA}$	-	1.4	1.6	V	
I_R	Reverse Current	$V_R = 6\text{V}$	-	-	5	μA	

Detector Characteristics

Symbol	Parameters	Test Conditions	Min	Typ	Max	Units	Notes
I_{OFF}	OFF-state Current	$V_{OFF} = 400\text{V}$	-	0.1	1	μA	
C_{OFF}	Output Capacitance	$V_O = 0\text{V}$, $f = 1\text{MHz}$	-	30	-	pF	

Transfer Characteristics

Symbol	Parameters	Test Conditions	Min	Typ	Max	Units	Notes	
I_{FT}	Trigger LED Current	$I_{ON} = \text{Max}$	-	1.5	5	mA		
R_{ON}	ON-state resistance	CTR214-8L	$I_{ON} = \text{Max}$, $I_F = 5\text{mA}$, $t < 1\text{s}$	-	33	50	Ω	
		CTR214B-8L	$I_{ON} = \text{Max}$, $I_F = 5\text{mA}$, $t < 1\text{s}$	-	15	20	Ω	

Switching Characteristics

Symbol	Parameters	Test Conditions	Min	Typ	Max	Units	Notes
t_{ON}	Turn-on Time	$R_L = 200\Omega$, $V_{DD} = 20\text{V}$, $I_F = 10\text{mA}$	-	0.2	1	ms	
t_{OFF}	Turn-off Time		-	0.2	1	ms	



Typical Characteristic Curves $T_A = 25^\circ\text{C}$, unless otherwise specified

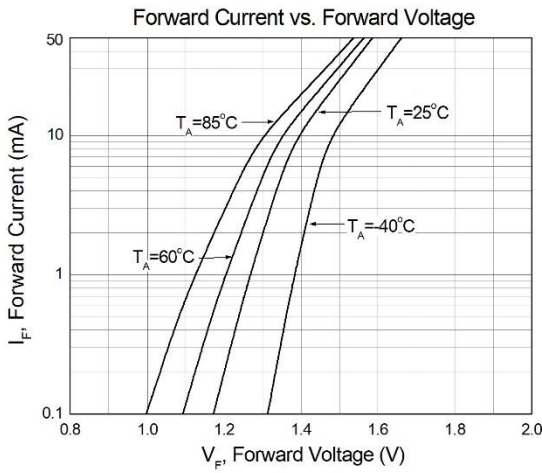


Figure 1

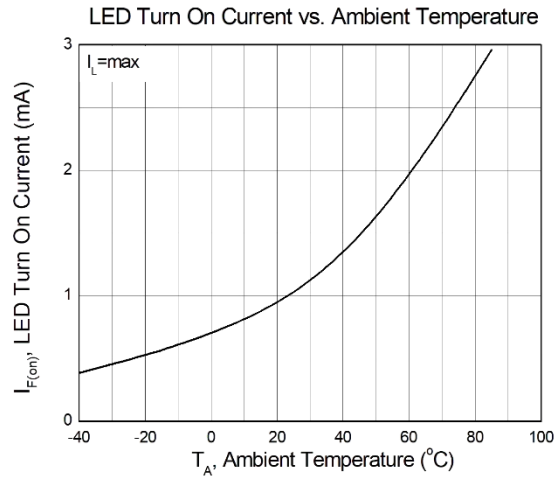


Figure 2

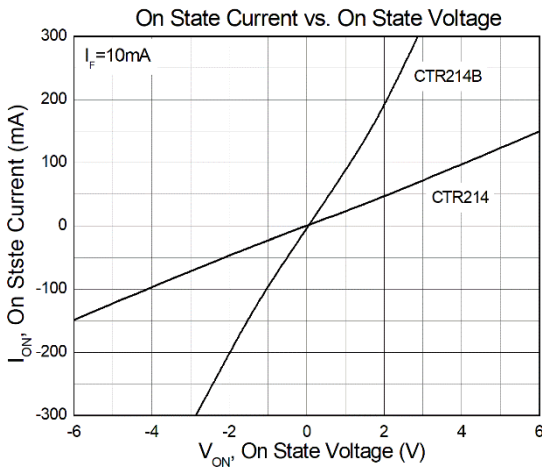


Figure 3

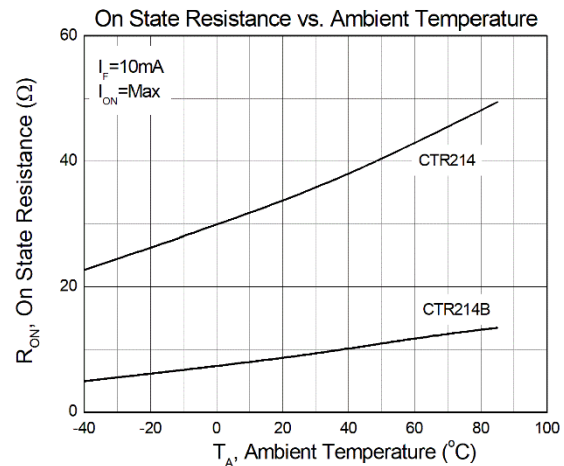


Figure 4

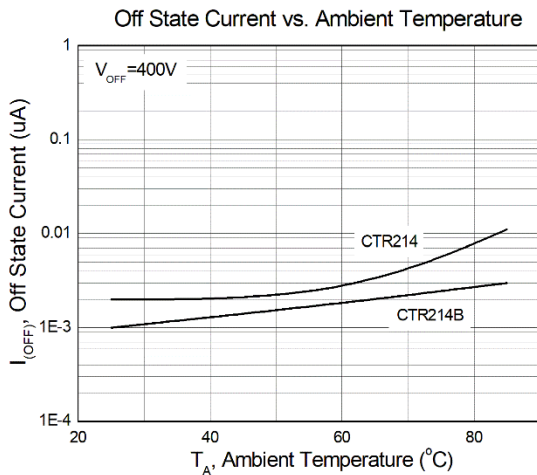


Figure 5

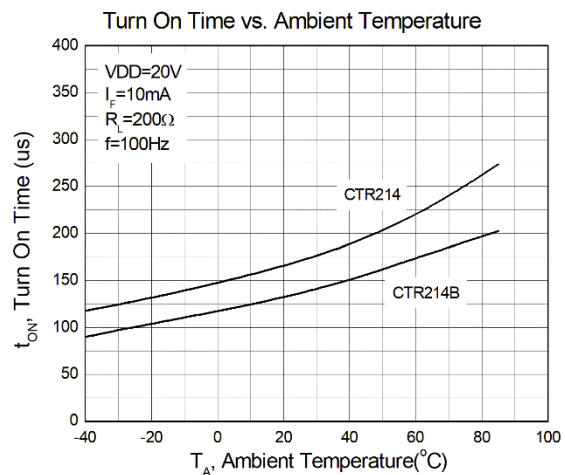


Figure 6



Typical Characteristic Curves $T_A = 25^\circ\text{C}$, unless otherwise specified

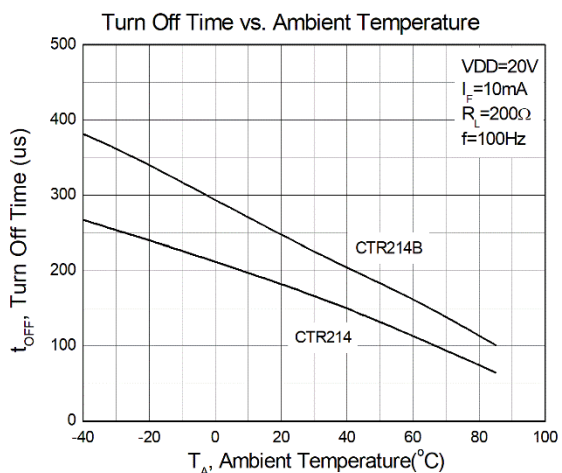


Figure 7

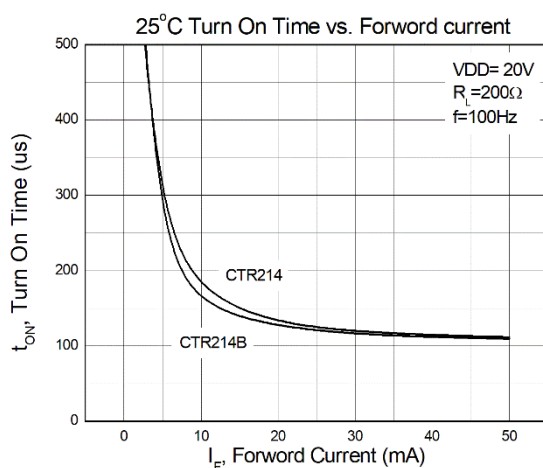


Figure 8

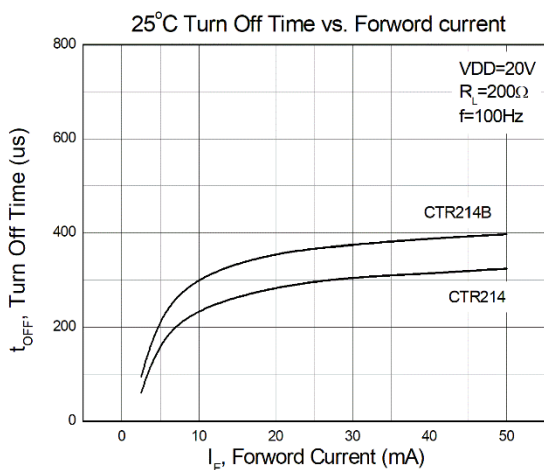
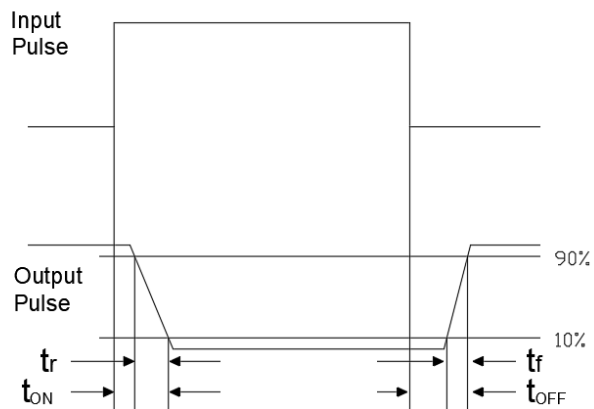
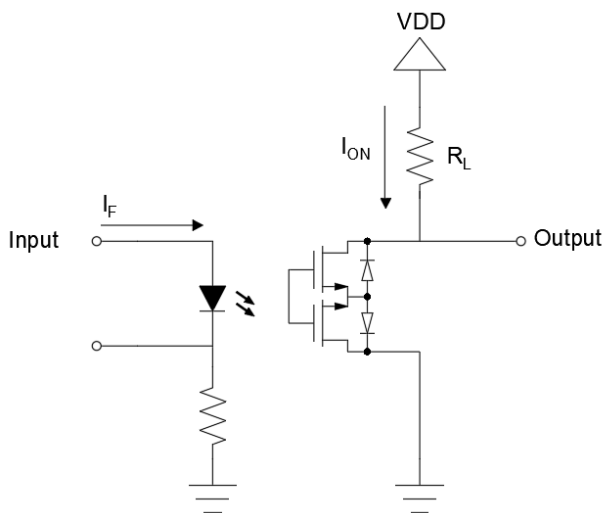


Figure 9



Test Circuit

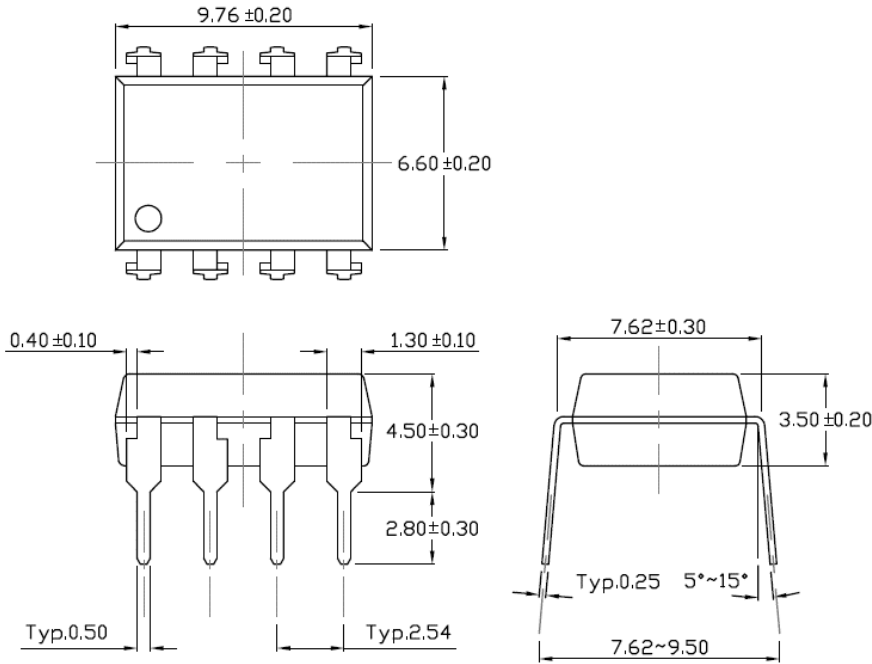


Switching Time Test Circuits



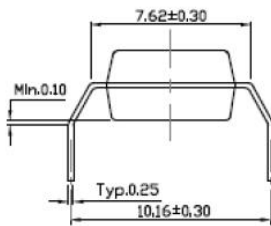
Package Dimension *Dimensions in mm unless otherwise stated*

Standard DIP – Through Hole

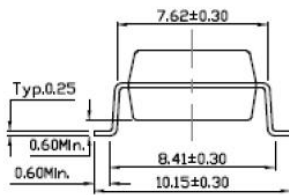


Forming Option

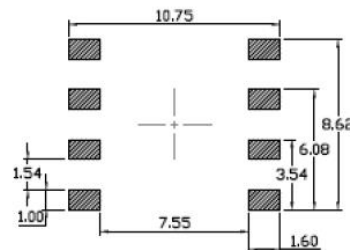
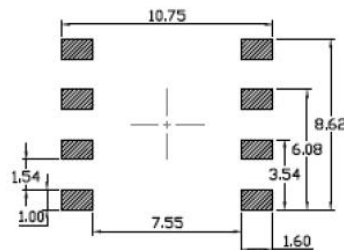
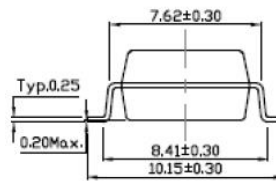
M Type



S Type

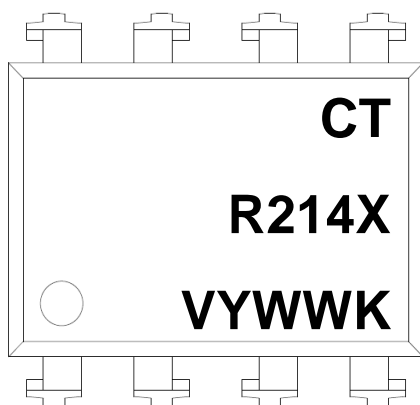


SL Type





Marking Information



Note:

- CT : Denotes “CT Micro”
- R214X: Part Number
- X : CTR Rank Option (Blank or B)
- V : VDE Safety Mark Option (Blank or V)
- Y : One Digit Year Code
- WW : Two Digit Work Week
- K : Manufacturing Code

Ordering Information

CTR214X(V)(Y)(Z)-8L

- CT = Denotes “CT Micro”
- R214X = Part Number
- V = VDE Safety Mark Option (Blank or V)
- Y = Lead Form Option (Blank, S, SL or M)
- Z = Tape and Reel Option (Blank, T1 or T2)
- 8L = 8 PIN Package

Option	Description	Quantity
None	Standard 8 Pin Dip	40 Units/Tube
M	Gullwing (400mil) Lead Forming	40 Units/Tube
S(T1)	Surface Mount Lead Forming – With Option 1 Taping	1000 Units/Reel
S(T2)	Surface Mount Lead Forming – With Option 2 Taping	1000 Units/Reel
SL(T1)	Surface Mount (Low Profile) Lead Forming– With Option 1 Taping	1000 Units/Reel
SL(T2)	Surface Mount (Low Profile) Lead Forming – With Option 2 Taping	1000 Units/Reel

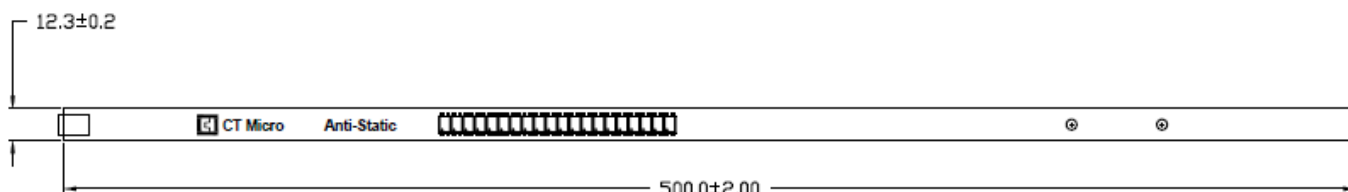


www.ct-micro.com

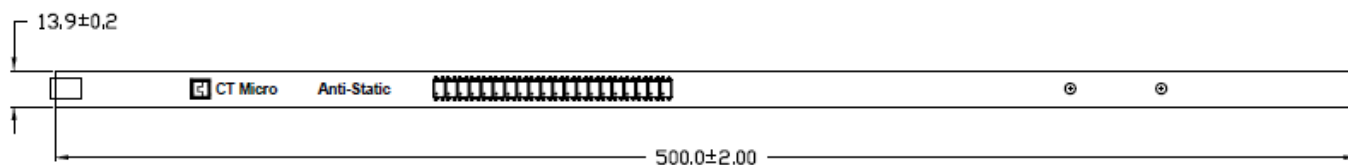
CTR214-8L 8-Pin DMC-Isolator® PhotoMOS Relays

Carrier Specifications *Dimensions in mm unless otherwise stated*

Tube Option Standard DIP

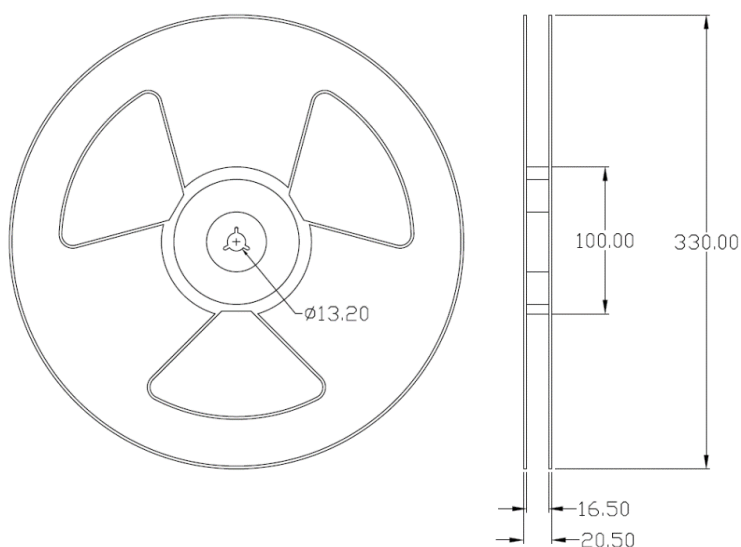


Tube Option M Type



Reel Dimension *All dimensions are in mm, unless otherwise stated*

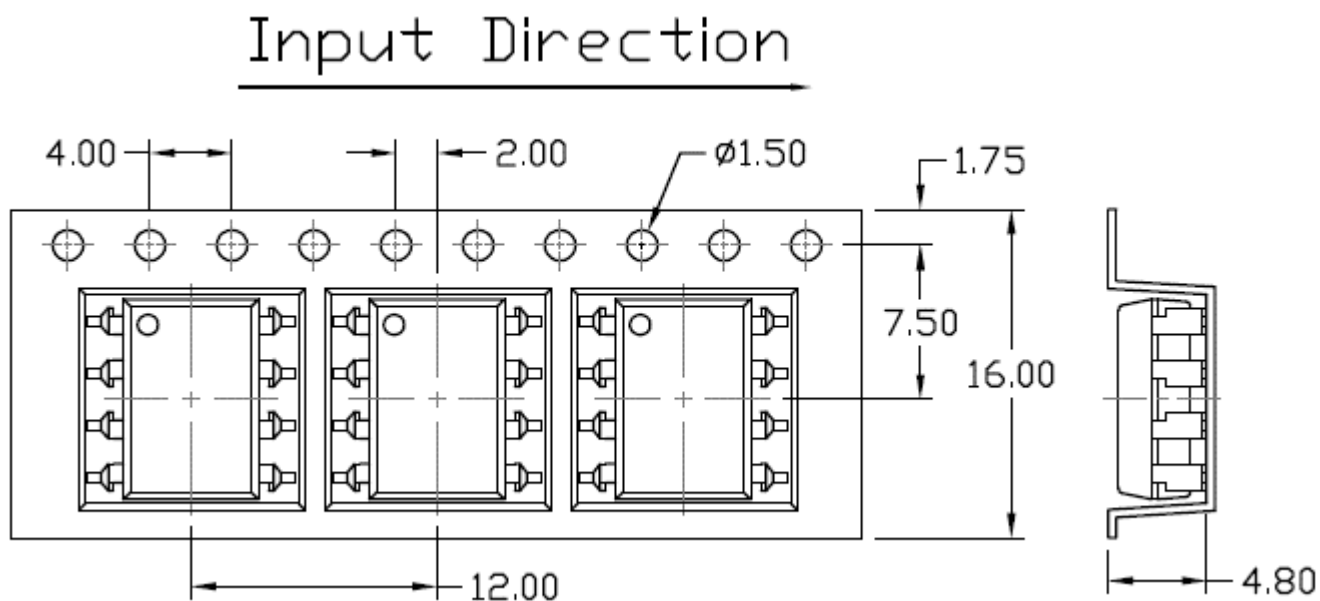
Option S(T1/T2) & SL(T1/T2)



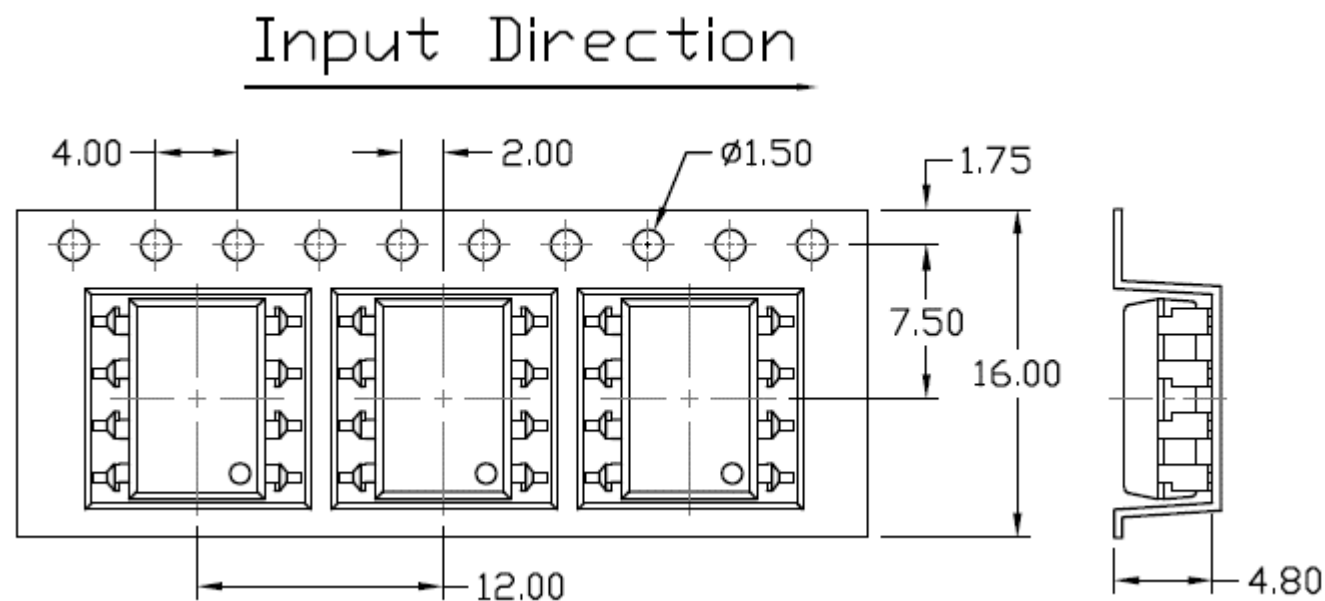


Carrier Tape Specifications *Dimensions in mm unless otherwise stated*

Option S(T1) & SL(T1)



Option S(T2) & SL(T2)





Solderability spec (Follow the JEDEC standard JESD22-B102)

Reflow Soldering: Immersed surface, other than the end of pin as cut-surface, must be covered by solder.

Solder-Bath: More than 95% of the electrode must be covered with solder.

Wave soldering (Follow the JEDEC standard JESD22-A111)

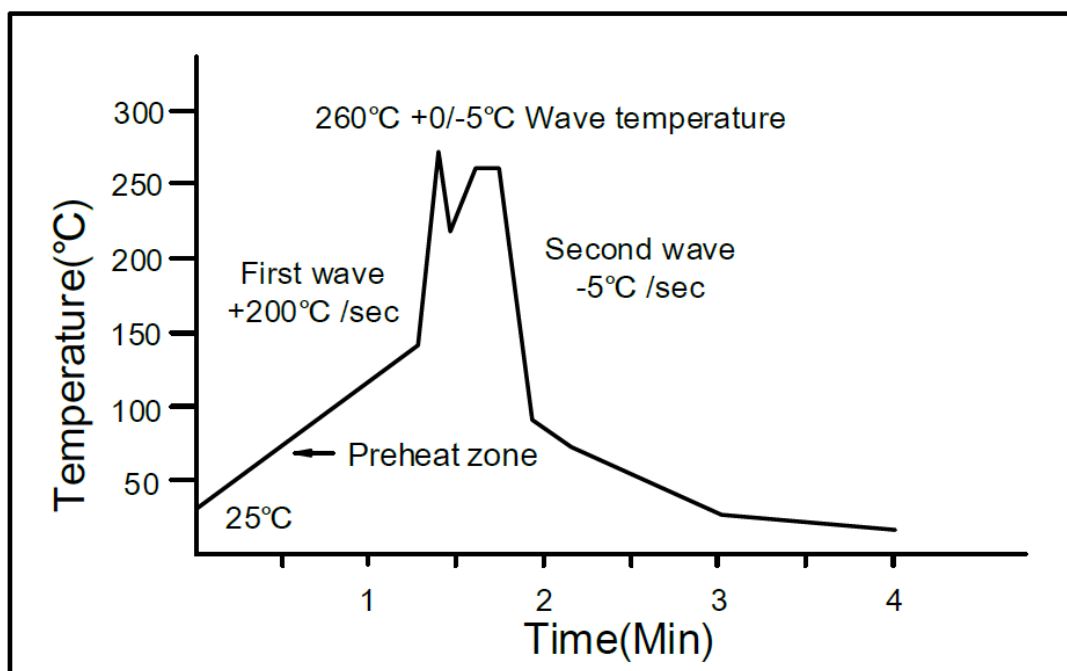
One time soldering is recommended within the condition of temperature.

Temperature: $260 \pm 0/-5^\circ\text{C}$.

Time: 10 sec.

Preheat temperature: 25 to 140°C .

Preheat time: 30 to 80 sec.



Iron soldering (Follow the standard MIL-STD 202G, Method 210F)

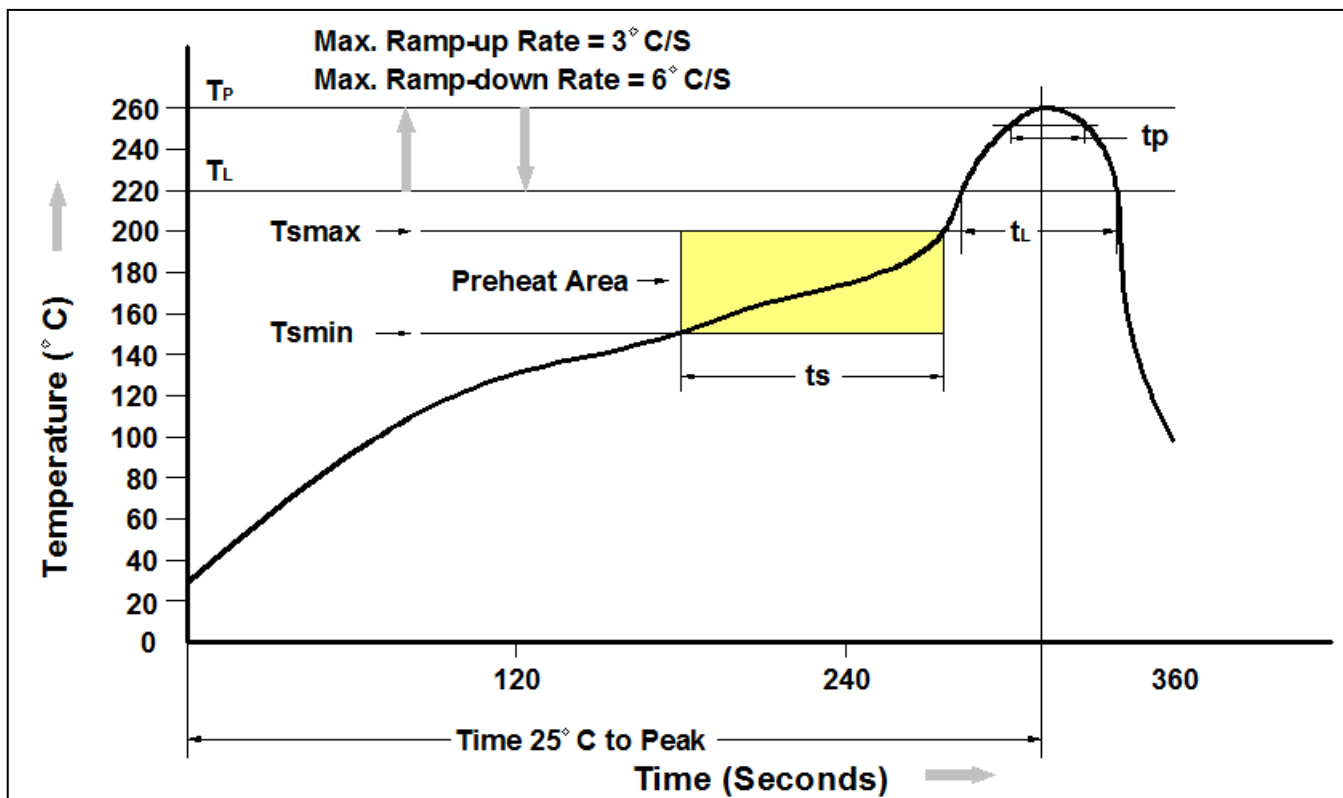
Allow single lead soldering in every single process.

One time soldering is recommended. Temperature: $350 \pm 10^\circ\text{C}$

Time: 5 sec max.



Reflow Profile (Follow the JEDEC standard J-STD-020)



Profile Feature	Pb-Free Assembly Profile
Temperature Min. (T_{smin})	150°C
Temperature Max. (T_{smax})	200°C
Time (t_s) from (T_{smin} to T_{smax})	60-120 seconds
Ramp-up Rate (t_L to t_P)	3°C/second max.
Liquidous Temperature (T_L)	217°C
Time (t_L) Maintained Above (T_L)	60 – 150 seconds
Peak Body Package Temperature	260°C +0°C / -5°C
Time (t_P) within 5°C of 260°C	30 seconds
Ramp-down Rate (T_P to T_L)	6°C/second max
Time 25°C to Peak Temperature	8 minutes max.



DISCLAIMER

DMC-Isolator® IS A TRADEMARK OF CT MICRO INTERNATIONAL CORPORATION AND/OR ITS SUBSIDIARIES. CT MICRO OWNS THE RIGHTS TO A NUMBER OF PATENTS, TRADEMARKS, COPYRIGHTS AND OTHER INTELLECTUAL PROPERTY.

CT MICRO RESERVES THE RIGHT TO MAKE CHANGES WITHOUT FURTHER NOTICE TO ANY PRODUCTS HEREIN TO IMPROVE RELIABILITY, FUNCTION OR DESIGN. CT MICRO DOES NOT ASSUME ANY LIABILITY ARISING OUT OF THE APPLICATION OR USE OF ANY PRODUCT OR CIRCUIT DESCRIBED HEREIN; NEITHER DOES IT CONVEY ANY LICENSE UNDER ITS PATENT RIGHTS, NOR THE RIGHTS OF OTHERS.

DISCOLORATION MIGHT OCCUR ON THE PACKAGE SURFACE AFTER SOLDERING, REFLOW OR LONG TERM USE. THIS DOES NOT IMPACT THE PRODUCT PERFORMANCE NOR THE PRODUCT RELIABILITY.

CT MICRO ARE NOT AUTHORIZED FOR USE AS CRITICAL COMPONENTS IN LIFE SUPPORT DEVICES OR SYSTEMS WITHOUT EXPRESS WRITTEN APPROVAL OF CT MICRO INTERNATIONAL CORPORATION.

- 1. Life support devices or systems are devices or systems which, (a) are intended for surgical implant into the body, or (b) support or sustain life, or (c) whose failure to perform when properly used in accordance with instruction for use provided in the labelling, can be reasonably expected to result in significant injury to the user.*
- 2. A critical component is any component of a life support device or system whose failure to perform can be reasonably expected to cause the failure of the life support device or system, or to affect its safety or effectiveness.*

单击下面可查看定价，库存，交付和生命周期等信息

[>>CT-MICRO\(兆龙科技\)](#)