



4N29, 4N30, 4N31, 4N32, 4N33 H11B1, H11B2, H11B3, H11B255, TIL113 DC Input 6-Pin Photodarlington Optocoupler

Features

- High isolation 5000 VRMS
- CTR flexibility available see order information
- DC input with transistor output
- Temperature range - 55 °C to 100 °C
- Regulatory Approvals
 - UL - UL1577 (E364000)
 - VDE - EN60747-5-5(VDE0884-5)
 - CQC – GB4943.1, GB8898
 - IEC60065, IEC60950

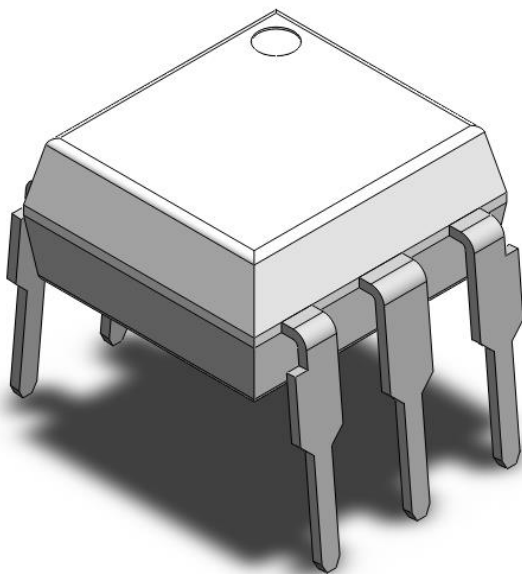
Applications

- Switch mode power supplies
- Computer peripheral interface
- Microprocessor system interface

Description

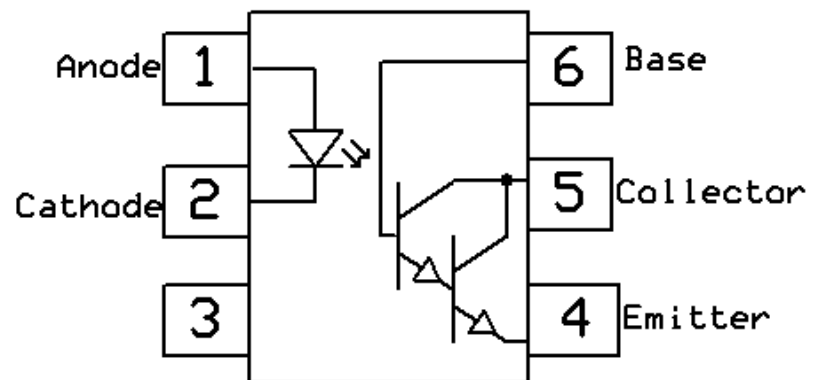
The 4N29, 4N30, 4N31, 4N32, 4N33, H11B1, H11B2, H11B3, H11B255, and TIL113 series consists of a photodarlington transistor optically coupled to a gallium arsenide Infrared-emitting diode in a 4-lead DIP package with bending option.

Package Outline



Note: Different bending options available. See package dimension.

Schematic





4N29, 4N30, 4N31, 4N32, 4N33
H11B1, H11B2, H11B3, H11B255, TIL113
DC Input 6-Pin Photodarlington Optocoupler

Absolute Maximum Rating at 25°C

Symbol	Parameters	Ratings	Units	Notes
V _{ISO}	Isolation voltage	5000	V _{RMS}	
T _{OPR}	Operating temperature	-55 ~ +100	°C	
T _{STG}	Storage temperature	-55 ~ +150	°C	
T _{SOL}	Soldering temperature	260	°C	
Emitter				
I _F	Forward current	60	mA	
I _{F(TRANS)}	Peak transient current (≤1μs P.W,300pps)	1	A	
V _R	Reverse voltage	6	V	
P _D	Power dissipation	120	mW	
Detector				
P _D	Power dissipation	150	mW	
B _{VCEO}	Collector-Emitter Breakdown Voltage	55	V	
B _{VBCO}	Collector-Base Breakdown Voltage	55	V	
B _{VECO}	Emitter-Collector Breakdown Voltage	7	V	
B _{VEBO}	Emitter-Base Breakdown Voltage	7	V	



4N29, 4N30, 4N31, 4N32, 4N33 H11B1, H11B2, H11B3, H11B255, TIL113 DC Input 6-Pin Photodarlington Optocoupler

Electrical Characteristics $T_A = 25^\circ\text{C}$ (unless otherwise specified)

Emitter Characteristics

Symbol	Parameters	Test Conditions	Min	Typ	Max	Units	Notes
V_F	Forward voltage	$I_F=10\text{mA}$		1.24	1.4	V	
V_F	Forward voltage	H11B3 $I_F=50\text{mA}$		1.45	1.5	V	
I_R	Reverse Current	$V_R = 6\text{V}$	-	-	5	μA	
C_{IN}	Input Capacitance	$f = 1\text{MHz}$	-	45	-	pF	

Detector Characteristics

Symbol	Parameters	Test Conditions	Min	Typ	Max	Units	Notes
$B_{V_{CEO}}$	Collector-Emitter Breakdown	$I_C = 100\mu\text{A}$	55	-	-	V	
$B_{V_{ECO}}$	Emitter-Collector Breakdown	$I_E = 100\mu\text{A}$	7	-	-	V	
$B_{V_{CBO}}$	Collector-Base Breakdown	$I_C = 100\mu\text{A}$	55	-	-	V	
I_{CEO}	Collector-Emitter Dark Current	$V_{CE} = 10\text{V}, I_F = 0\text{mA}$	-	-	100	nA	

Transfer Characteristics

Symbol	Parameters	Test Conditions	Min	Typ	Max	Units	Notes
CTR	Current Transfer Ratio	4N29, 4N30	$I_F = 10\text{mA}, V_{CE} = 10\text{V}$	100	-	-	%
		4N31		50	-	-	
		4N32, 4N33		500	-	-	
		H11B1	$I_F = 1\text{mA}, V_{CE} = 10\text{V}$	500	-	-	
		H11B2		200	-	-	
		H11B3		100	-	-	
		H11B255	$I_F = 10\text{mA}, V_{CE} = 5\text{V}$	100	-	-	
		TIL113	$I_F = 10\text{mA}, V_{CE} = 1\text{V}$	300	-	-	
$V_{CE(SAT)}$	Collector-Emitter Saturation Voltage	4N29, 4N30, 4N32, 4N33	$I_F = 8\text{mA}, I_C = 2\text{mA}$	-	-	1.0	V
		4N31, TIL113	$I_F = 8\text{mA}, I_C = 2\text{mA}$	-	-	1.2	
		H11B1, H11B2, H11B3	$I_F = 1\text{mA}, I_C = 1\text{mA}$	-	-	1.0	
		H11B255	$I_F = 50\text{mA}, I_C = 50\text{mA}$	-	-	1.0	
R_{IO}	Isolation Resistance	$V_{IO} = 500\text{V}_{DC}$	1×10^{11}			Ω	
C_{IO}	Isolation Capacitance	$f = 1\text{MHz}$		0.25		pF	



4N29, 4N30, 4N31, 4N32, 4N33 H11B1, H11B2, H11B3, H11B255, TIL113 DC Input 6-Pin Photodarlington Optocoupler

Switching Characteristics

Symbol	Parameters	Test Conditions	Min	Typ	Max	Units	Notes
T _{ON}	4N29, 4N30, 4N31, 4N32, 4N33, TIL113	I _F = 200mA, I _C = 50mA, R _L = 100Ω	-	-	4.7	μs	
	H11B1, H11B2, H11B3, H11B255	I _F = 10mA, V _{CC} = 10V, R _L = 100Ω	-	24	-		
T _{OFF}	4N29, 4N30, 4N31	I _F = 200mA, I _C = 50mA, R _L = 100Ω	-	-	30	μs	
	4N32, 4N33, TIL113		-	-	90		
	H11B1, H11B2, H11B3, H11B255	I _F = 10mA, V _{CC} = 10V, R _L = 100Ω	-	17	-		



4N29, 4N30, 4N31, 4N32, 4N33 H11B1, H11B2, H11B3, H11B255, TIL113 DC Input 6-Pin Photodarlington Optocoupler

Typical Characteristic Curves

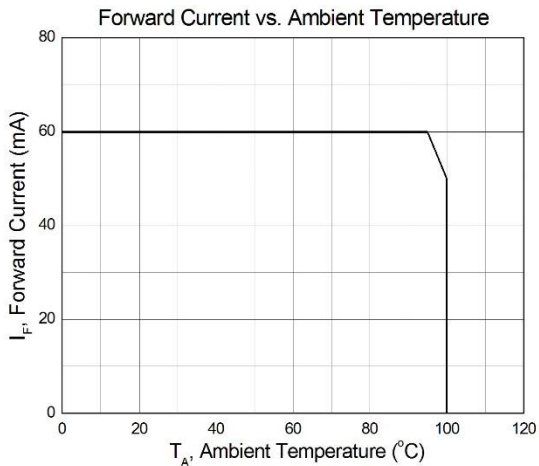


Figure 1

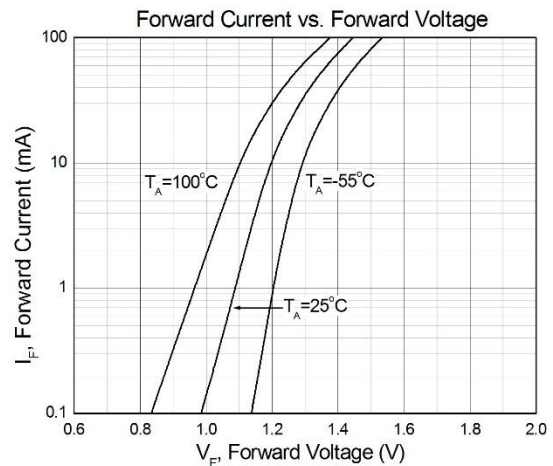


Figure 2

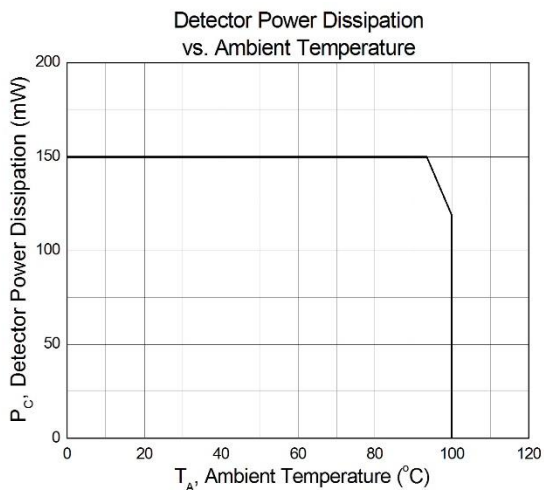


Figure 3

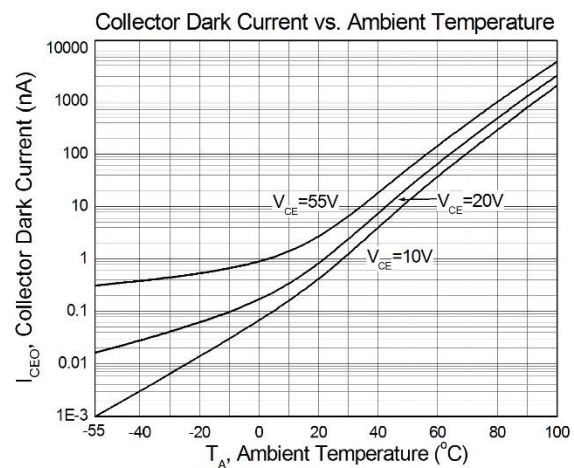


Figure 4

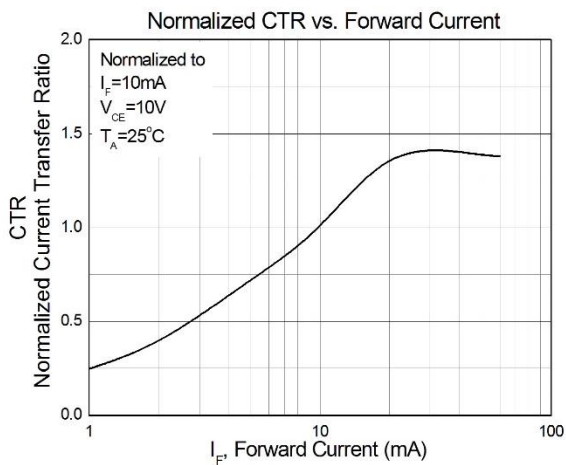


Figure 5

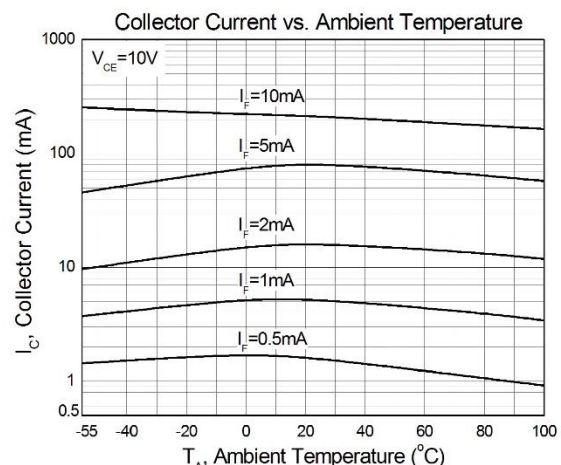


Figure 6



4N29, 4N30, 4N31, 4N32, 4N33 H11B1, H11B2, H11B3, H11B255, TIL113 DC Input 6-Pin Photodarlington Optocoupler

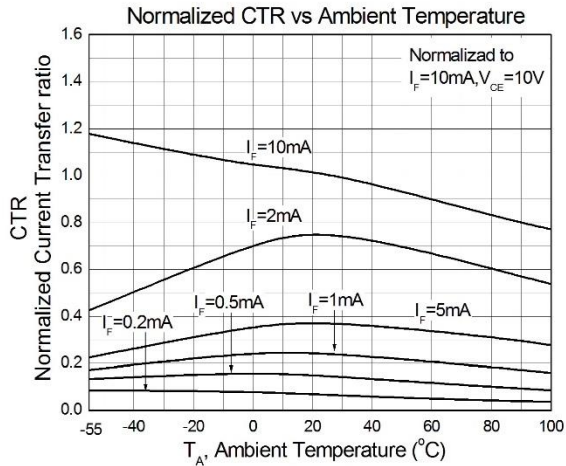


Figure 7

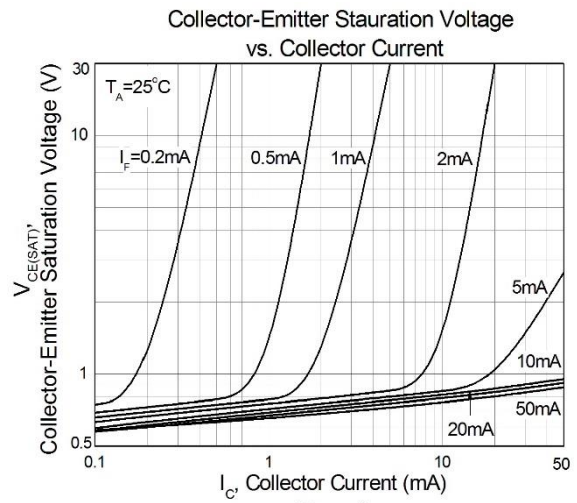


Figure 8

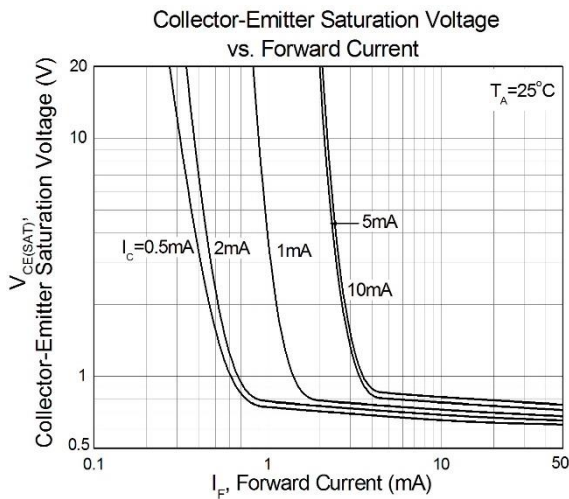


Figure 9

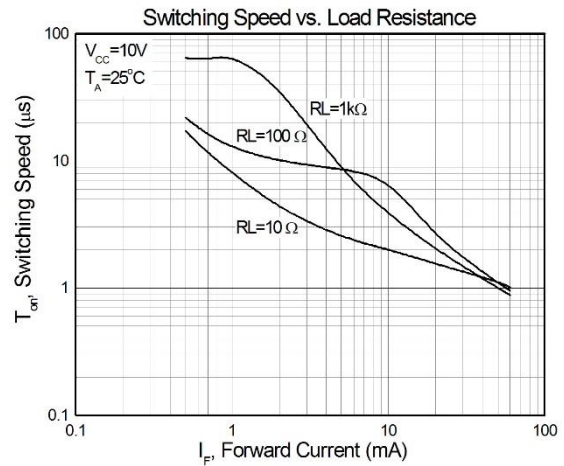


Figure 10

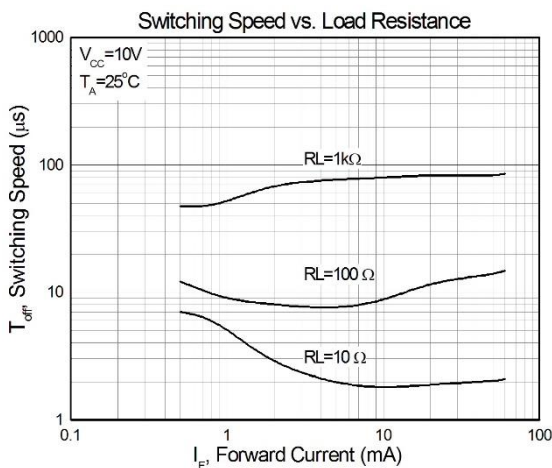


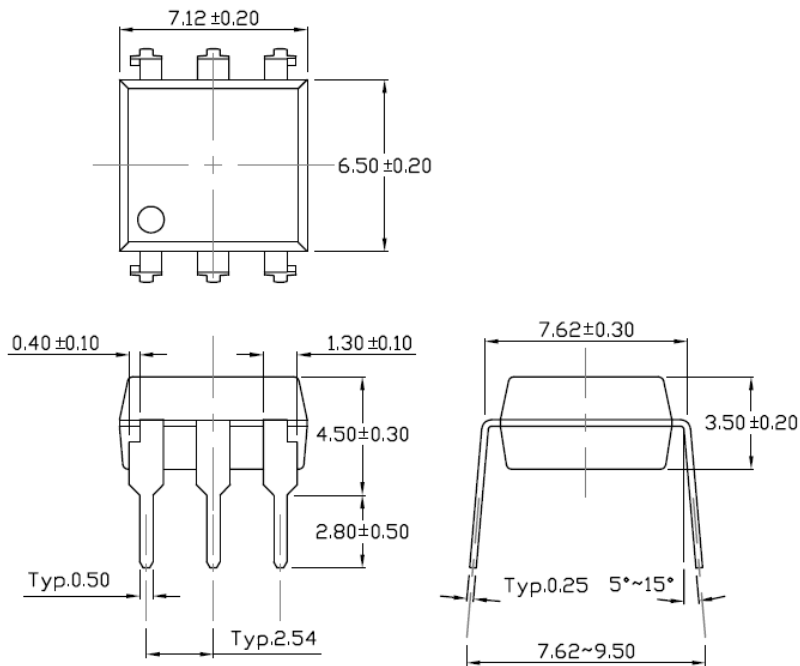
Figure 11



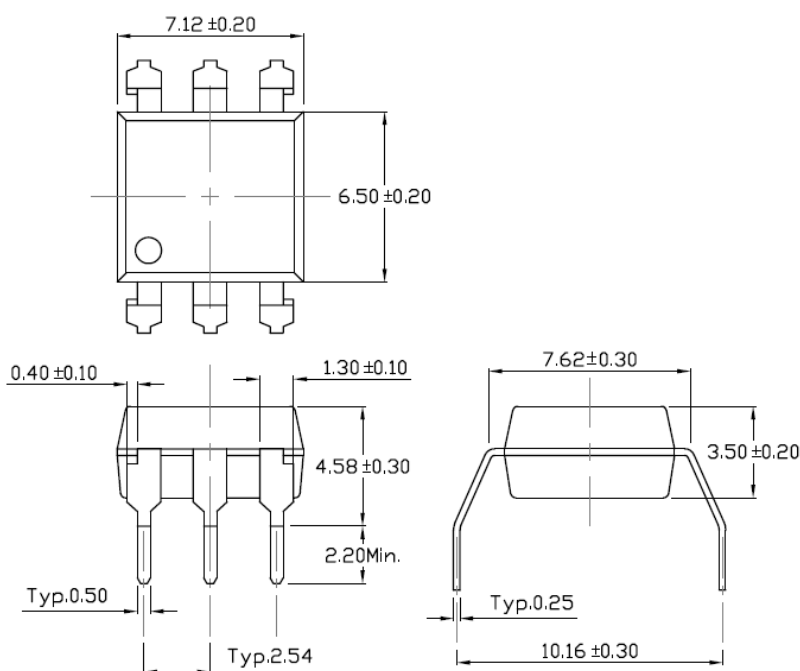
4N29, 4N30, 4N31, 4N32, 4N33 H11B1, H11B2, H11B3, H11B255, TIL113 DC Input 6-Pin Photodarlington Optocoupler

Package Dimension *Dimensions in mm unless otherwise stated*

Standard DIP – Through Hole



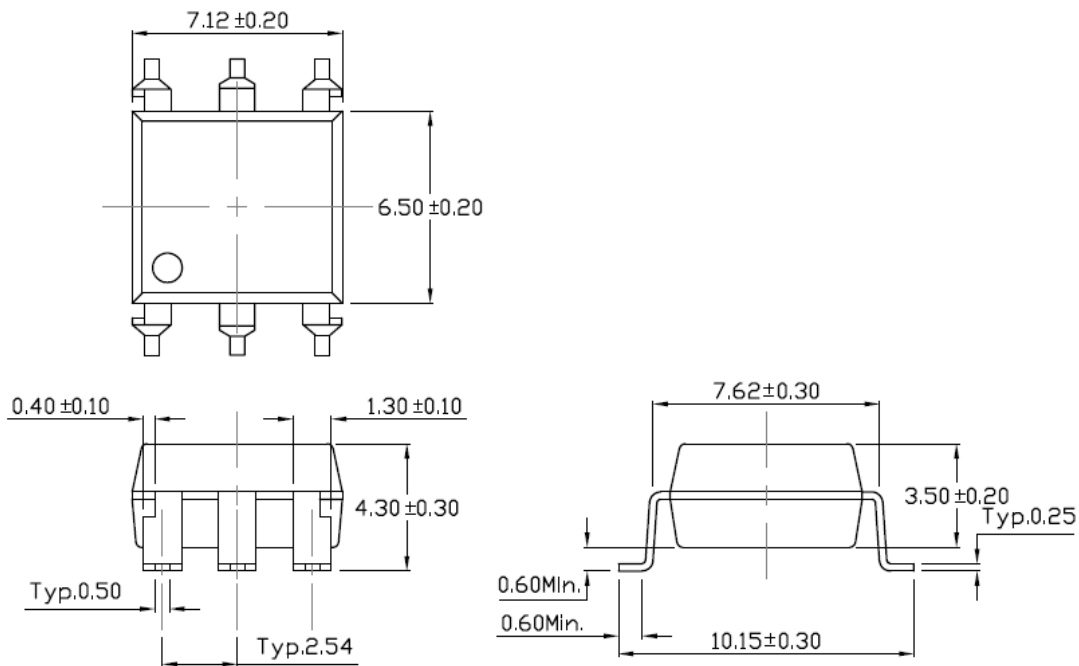
Wide Lead Forming – Through Hole (M Type)



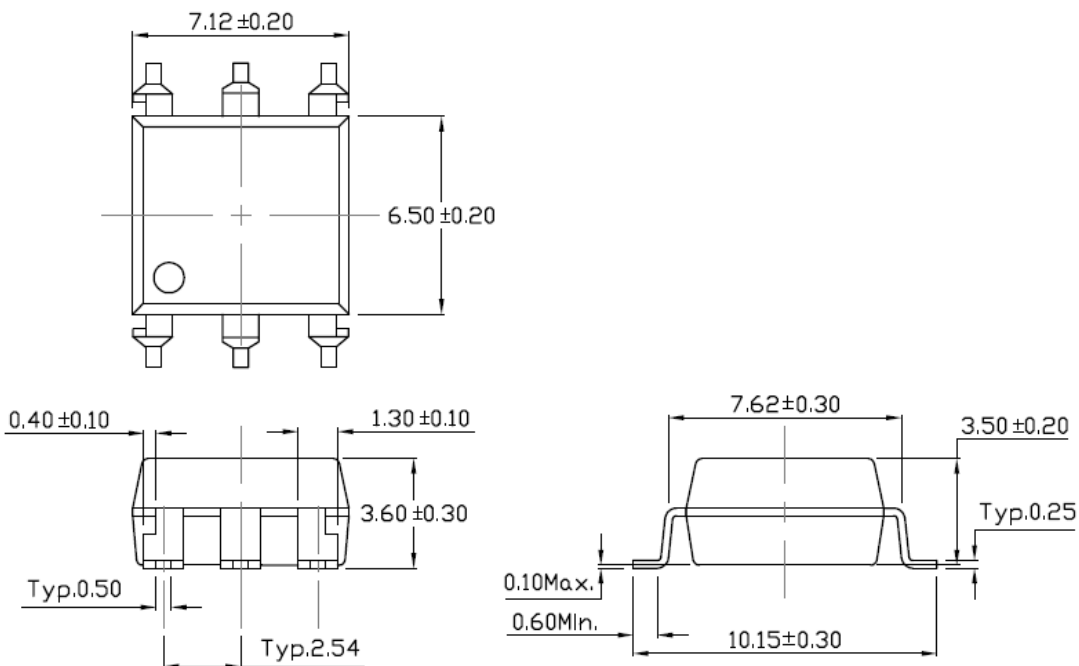


4N29, 4N30, 4N31, 4N32, 4N33 H11B1, H11B2, H11B3, H11B255, TIL113 DC Input 6-Pin Photodarlington Optocoupler

Surface Mount Forming (S Type)



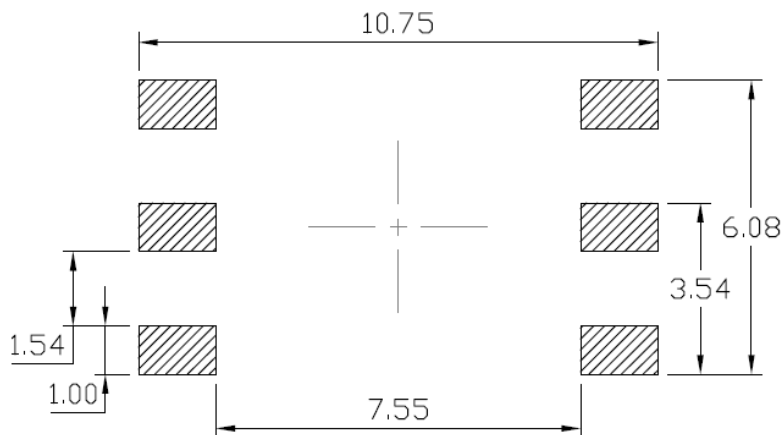
Surface Mount Forming (Low Profile) (SL Type)



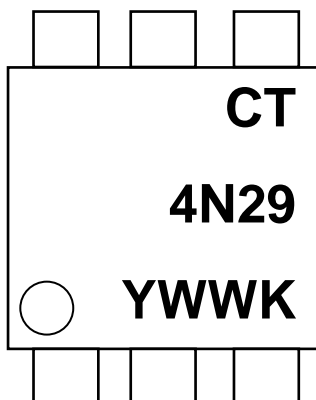


4N29, 4N30, 4N31, 4N32, 4N33 H11B1, H11B2, H11B3, H11B255, TIL113 DC Input 6-Pin Photodarlington Optocoupler

Recommended Solder Mask *Dimensions in mm unless otherwise stated*



Marking Information



Note:

- CT : Denotes "CT Micro"
- 4N29 : Part Number
- Y : Fiscal Year
- WW : Work Week
- K : Manufacturing Code



4N29, 4N30, 4N31, 4N32, 4N33
H11B1, H11B2, H11B3, H11B255, TIL113
DC Input 6-Pin Photodarlington Optocoupler

Ordering Information

4N2X(Y)(Z)-G, 4N3X(Y)(Z)-G, H11BX(Y)(Z)-G, TIL113(Y)(Z)-G

X = (9 for 4N2X), (0,1,2,3 for 4N3X series), (1,2,3,255 for H11BX series)

Y = Lead form option (S, SL, M or none)

Z = Tape and reel option (T1, T2 or none)

G= Material option (G: Green, None: Non-green)

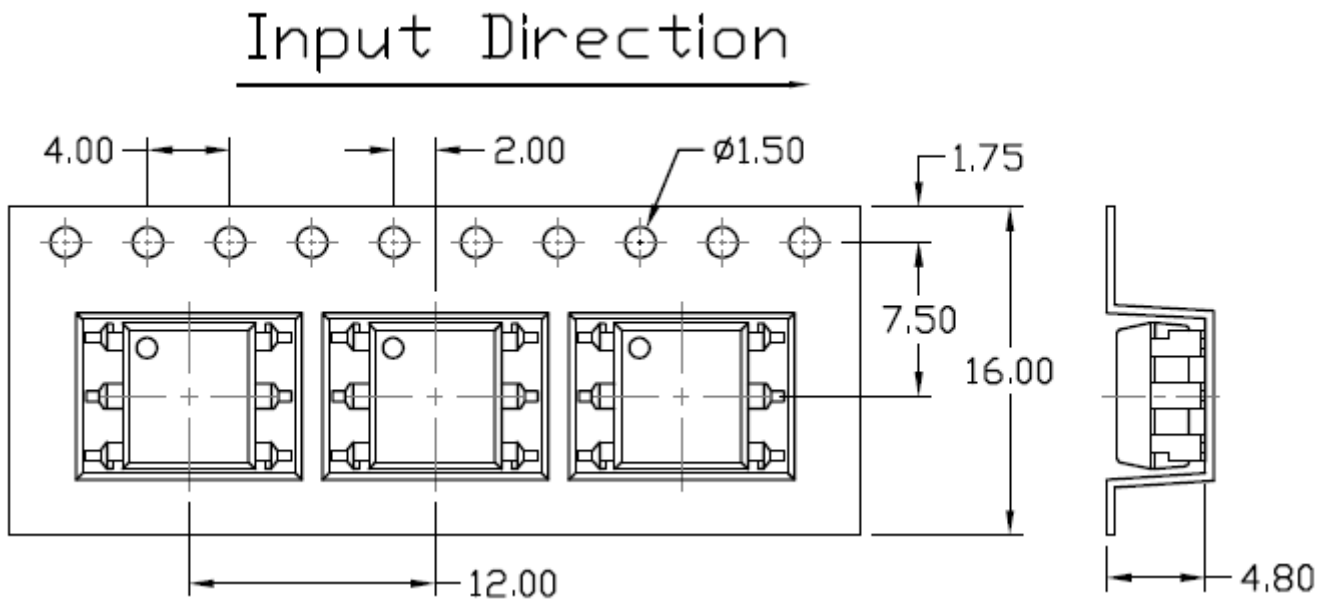
Option	Description	Quantity
None	Standard 6 Pin Dip	50Units/Tube
M	Wide Lead Forming	50Units/Tube
S(T1)	Surface Mount Lead Forming – With Option 1 Taping	1000 Units/Reel
S(T2)	Surface Mount Lead Forming – With Option 2 Taping	1000 Units/Reel
SL(T1)	Surface Mount Lead Forming(Low Profile) – With Option 1 Taping	1000 Units/Reel
SL(T2)	Surface Mount Lead Forming(Low Profile) – With Option 2 Taping	1000 Units/Reel



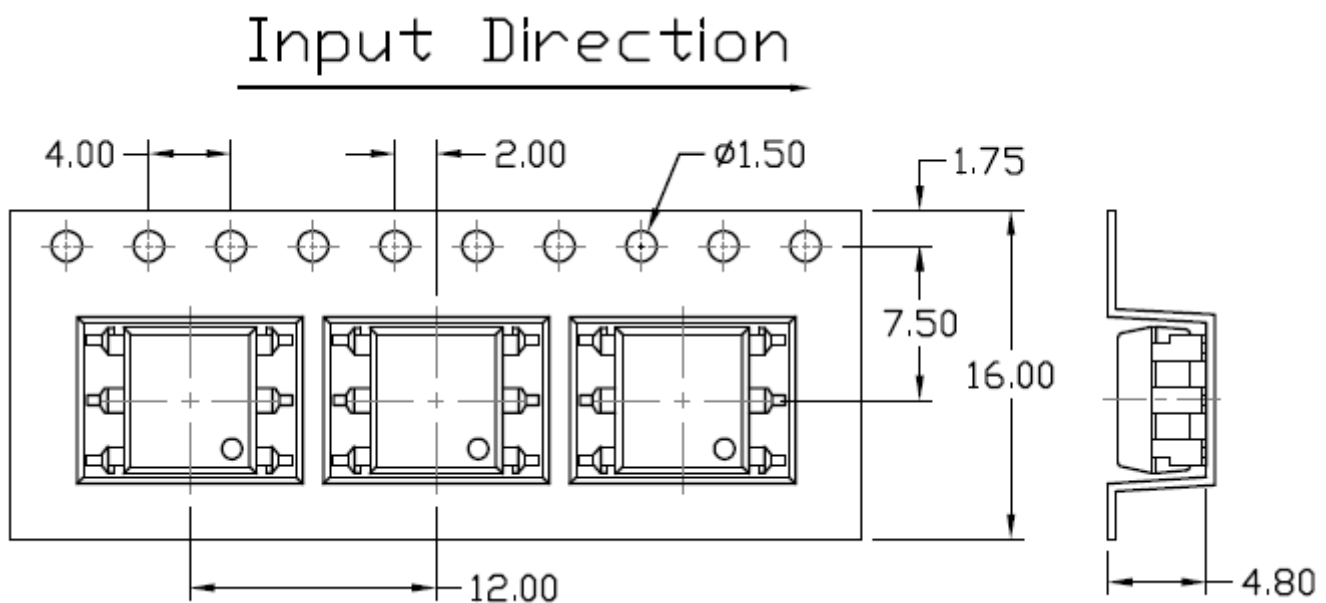
4N29, 4N30, 4N31, 4N32, 4N33
H11B1, H11B2, H11B3, H11B255, TIL113
DC Input 6-Pin Photodarlington Optocoupler

Carrier Tape Specifications *Dimensions in mm unless otherwise stated*

Option S(T1) & SL(T1)



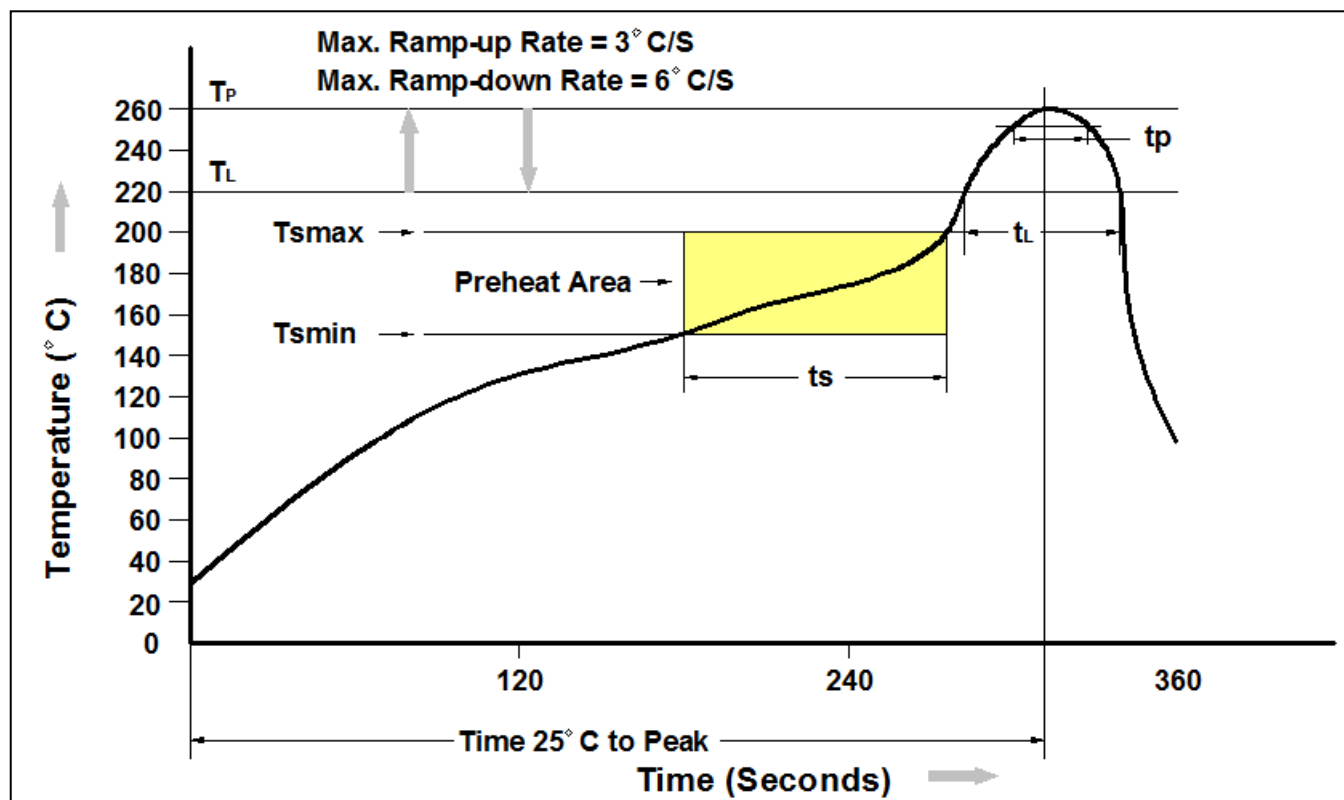
Option S(T2) & SL(T2)





4N29, 4N30, 4N31, 4N32, 4N33 H11B1, H11B2, H11B3, H11B255, TIL113 DC Input 6-Pin Photodarlington Optocoupler

Reflow Profile



Profile Feature	Pb-Free Assembly Profile
Temperature Min. (Tsmin)	150°C
Temperature Max. (Tsmax)	200°C
Time (ts) from (Tsmin to Tsmax)	60-120 seconds
Ramp-up Rate (tL to tp)	3°C/second max.
Liquidous Temperature (TL)	217°C
Time (tL) Maintained Above (TL)	60 – 150 seconds
Peak Body Package Temperature	260°C +0°C / -5°C
Time (tp) within 5°C of 260°C	30 seconds
Ramp-down Rate (TP to TL)	6°C/second max
Time 25°C to Peak Temperature	8 minutes max.



4N29, 4N30, 4N31, 4N32, 4N33
H11B1, H11B2, H11B3, H11B255, TIL113
DC Input 6-Pin Photodarlington Optocoupler

DISCLAIMER

CT MICROELECTRONICS RESERVES THE RIGHT TO MAKE CHANGES WITHOUT FURTHER NOTICE TO ANY PRODUCTS HEREIN TO IMPROVE RELIABILITY, FUNCTION OR DESIGN. CT MICRO DOES NOT ASSUME ANY LIABILITY ARISING OUT OF THE APPLICATION OR USE OF ANY PRODUCT OR CIRCUIT DESCRIBED HEREIN; NEITHER DOES IT CONVEY ANY LICENSE UNDER ITS PATENT RIGHTS, NOR THE RIGHTS OF OTHERS.

CT MICROELECTRONICS ARE NOT AUTHORIZED FOR USE AS CRITICAL COMPONENTS IN LIFE SUPPORT DEVICES OR SYSTEMS WITHOUT EXPRESS WRITTEN APPROVAL OF CT MICROELECTRONICS LTD.

- 1. Life support devices or systems are devices or systems which, (a) are intended for surgical implant into the body, or (b) support or sustain life, or (c) whose failure to perform when properly used in accordance with instruction for use provided in the labeling, can be reasonably expected to result in significant injury to the user.*
- 2. A critical component is any component of a life support device or system whose failure to perform can be reasonably expected to cause the failure of the life support device or system, or to affect its safety or effectiveness.*

单击下面可查看定价，库存，交付和生命周期等信息

[>>CT-MICRO\(兆龙科技\)](#)