



CT121GB Series

4-Pin Mini-Flat Phototransistor Optocoupler

Features

- High isolation 3750 VRMS
- DC/AC input with transistor output
- Operating temperature range - 55 °C to 125 °C
- DMC[®] structure
- RoHS compliance
- REACH compliance
- Halogen free
- Regulatory Approvals
 - UL - UL1577 (Pending Approval)
 - VDE - EN60747-5-5 (Pending Approval)
 - CQC – GB4943.1, GB8898 (Pending Approval)
 - IEC60065, IEC60950 (Pending Approval)

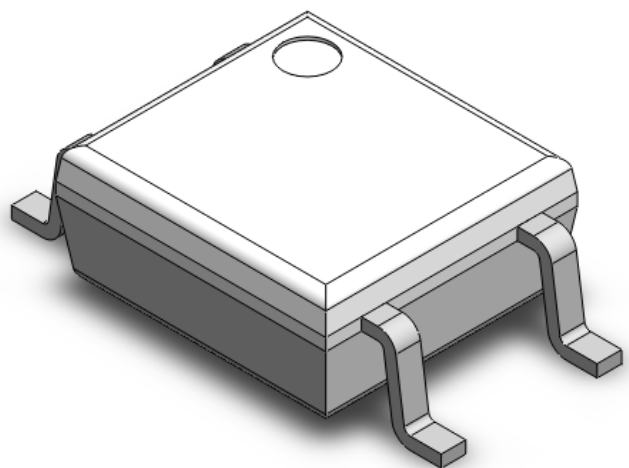
Description

CT121GB series of general purpose optocoupler consists of a photo transistor optically coupled to a gallium arsenide Infrared-emitting diode in a 4-lead Mini-Flat package.

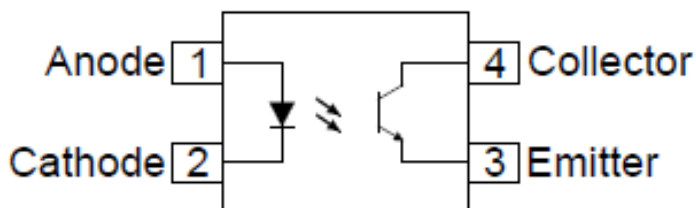
Applications

- Switch mode power supplies
- Computer peripheral interface
- Microprocessor system interface

Package Outline



Schematic



CT121



CT121GB Series

4-Pin Mini-Flat Phototransistor Optocoupler

Absolute Maximum Rating at 25°C

Symbol	Parameters	Ratings	Units	Notes
V _{ISO}	Isolation voltage	3750	V _{RMS}	
P _{TOT}	Total power dissipation	200	mW	
T _{OPR}	Operating temperature	-55 ~ +125	°C	
T _{STG}	Storage temperature	-55 ~ +150	°C	
T _{SOL}	Soldering temperature	260	°C	
Emitter				
I _F	Forward current	60	mA	
I _{F(TRANS)}	Peak transient current (≤1μs P.W,300pps)	1000	mA	
V _R	Reverse voltage	6	V	
P _D	Emitter power dissipation	100	mW	
Detector				
P _C	Detector power dissipation	150	mW	
B _{VCEO}	Collector-Emitter Breakdown Voltage	80	V	
B _{VECO}	Emitter-Collector Breakdown Voltage	6	V	
I _C	Collector Current	50	mA	



CT121GB Series

4-Pin Mini-Flat Phototransistor Optocoupler

Electrical Characteristics $T_A = 25^\circ\text{C}$ (unless otherwise specified)

Emitter Characteristics

Symbol	Parameters	Test Conditions	Min	Typ	Max	Units	Notes
V_F	Forward voltage	$I_F = 10\text{mA}$	-	1.2	1.3	V	
I_R	Reverse Current	$V_R = 6\text{V}$	-	-	5	μA	
C_{IN}	Input Capacitance	$f = 1\text{MHz}$	-	10	30	pF	

Detector Characteristics

Symbol	Parameters	Test Conditions	Min	Typ	Max	Units	Notes
$B_{V_{CEO}}$	Collector-Emitter Breakdown	$I_C = 100\mu\text{A}$	80	-	-	V	
$B_{V_{ECO}}$	Emitter-Collector Breakdown	$I_{EC} = 100\mu\text{A}$	7	-	-	V	
I_{CEO}	Collector-Emitter Dark Current	$V_{CE} = 48\text{V}, I_F = 0\text{mA}$	-	-	100	nA	
		$V_{CE} = 48\text{V}, I_F = 0\text{mA}, T_A = 85^\circ\text{C}$			50	μA	

Transfer Characteristics

Symbol	Parameters	Test Conditions	Min	Typ	Max	Units	Notes
CTR	Current Transfer Ratio	$I_F = 5\text{mA}, V_{CE} = 5\text{V}$	100	-	600	%	
		$I_F = 1\text{mA}, V_{CE} = 0.4\text{V}$	30	-	-	%	
$V_{CE(SAT)}$	Collector-Emitter Saturation Voltage	$I_F = 8\text{mA}, I_C = 2.4\text{mA}$	-	0.2	0.4	V	
R_{IO}	Isolation Resistance	$V_{IO} = 500\text{V}_{DC}$	5×10^{10}	-	-	Ω	
C_{IO}	Isolation Capacitance	$f = 1\text{MHz}$	-	0.25	1	pF	

Switching Characteristics

Symbol	Parameters	Test Conditions	Min	Typ	Max	Units	Notes
t_r	Rise Time	$I_C = 2\text{mA}, V_{CE} = 2\text{V}$ $R_L = 100\Omega$	-	5	16	μs	
t_f	Fall Time		-	6	16		
t_{on}	Turn-on time		8	20	μs		
t_{off}	Turn-off time		7	20			



CT121GB Series 4-Pin Mini-Flat Phototransistor Optocoupler

Typical Characteristic Curves

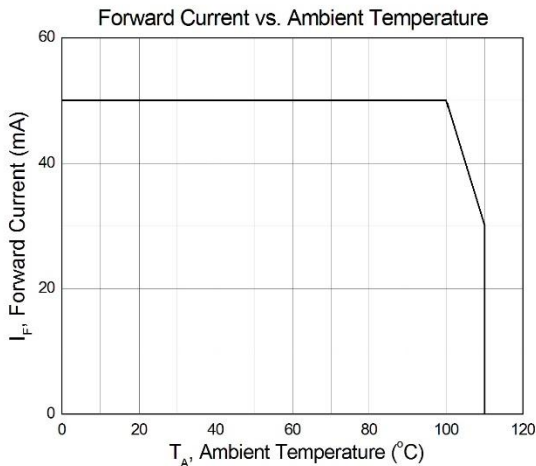


Figure 1

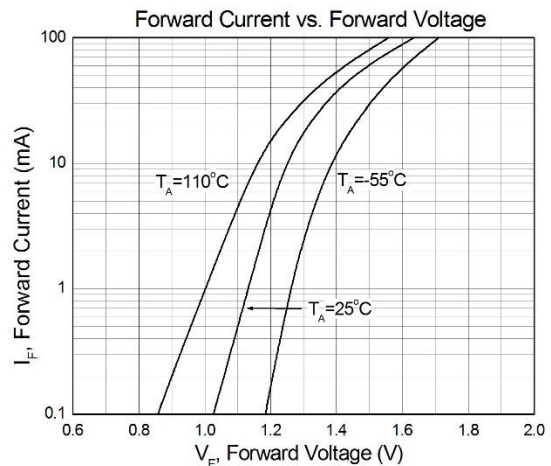


Figure 2

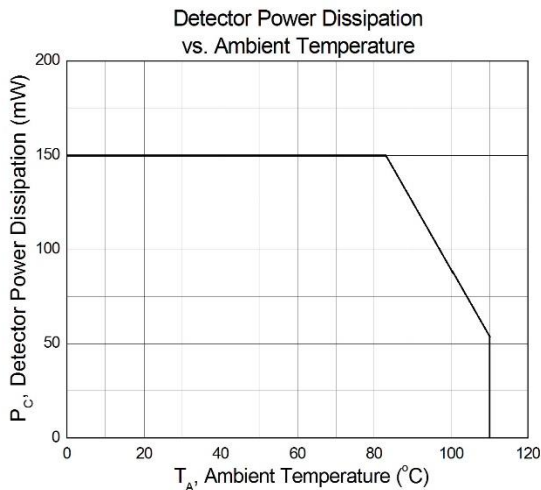


Figure 3

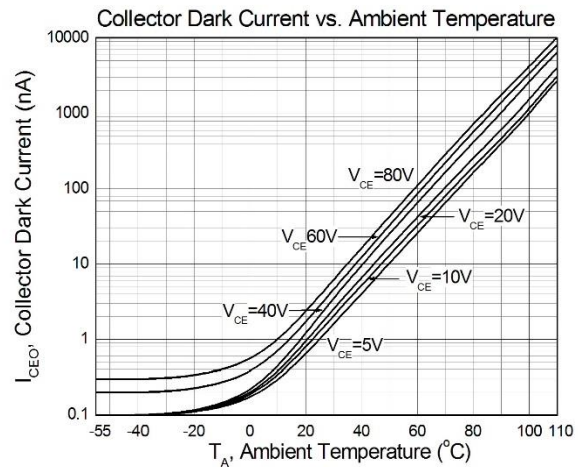


Figure 4

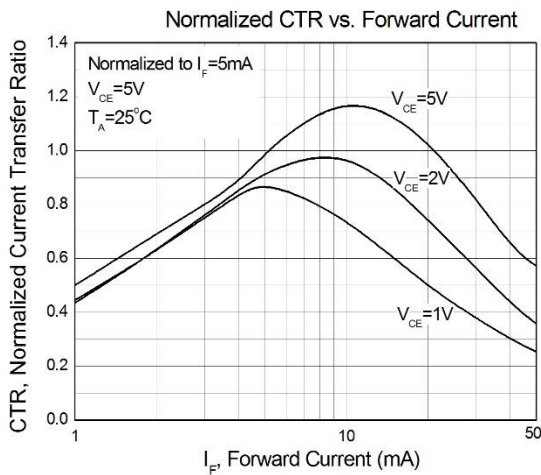


Figure 5

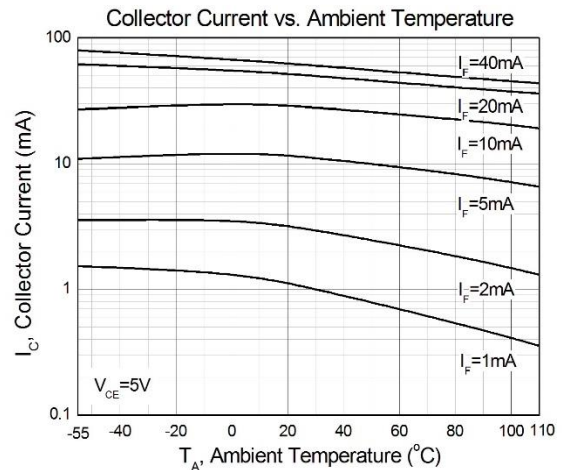


Figure 6



CT121GB Series 4-Pin Mini-Flat Phototransistor Optocoupler

Typical Characteristic Curves

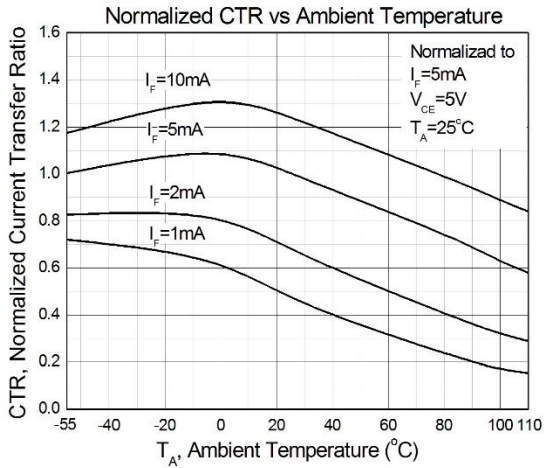


Figure 7

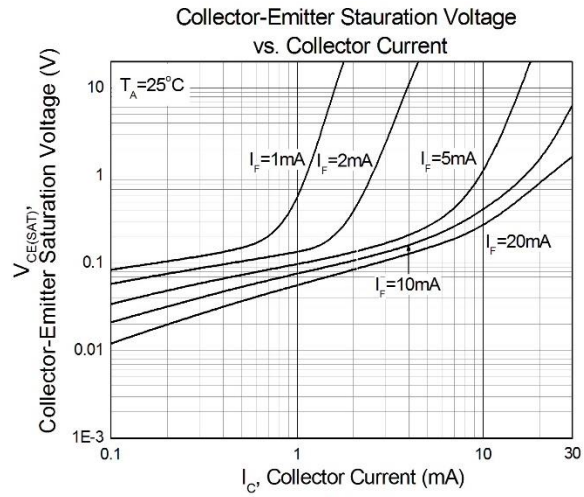


Figure 8

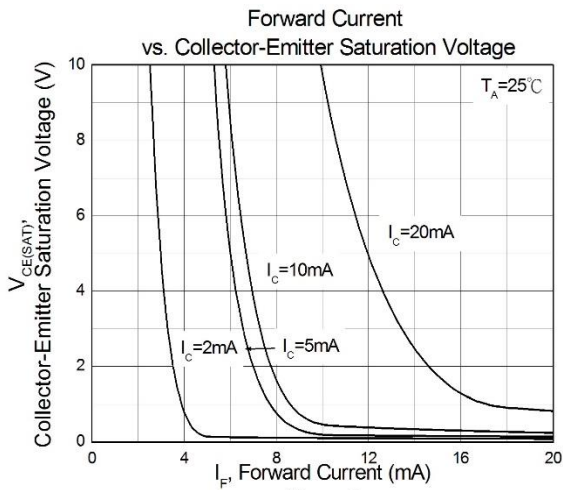


Figure 9

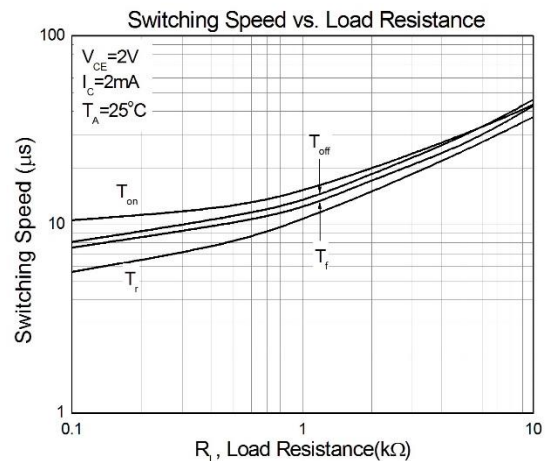


Figure 10

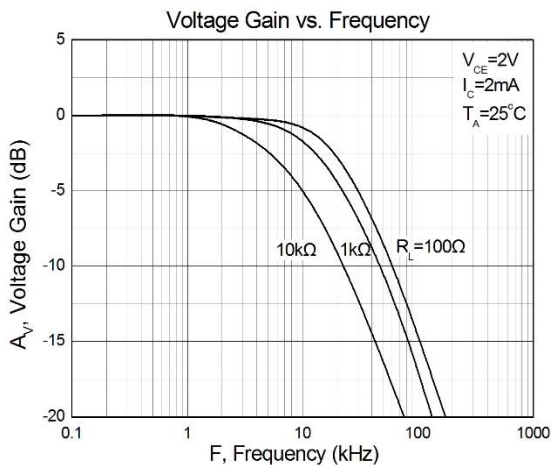
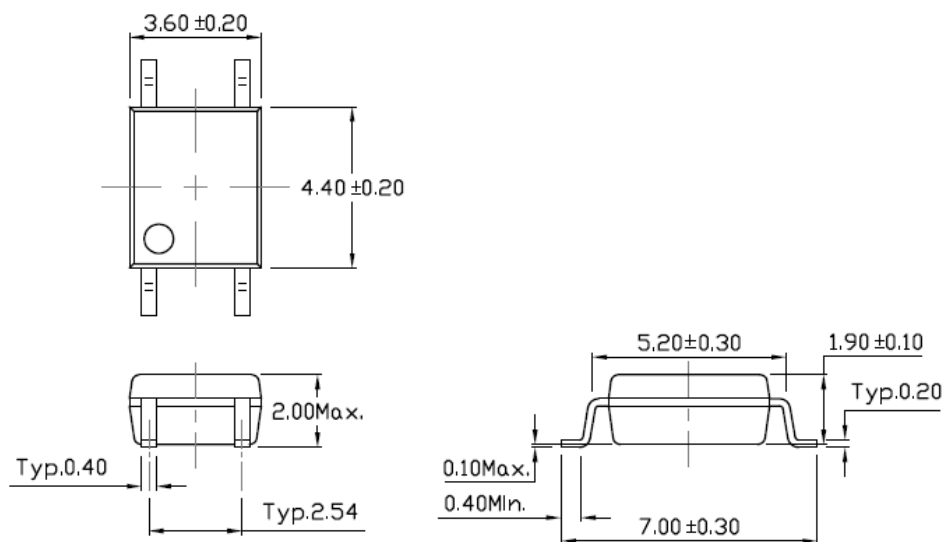


Figure 11

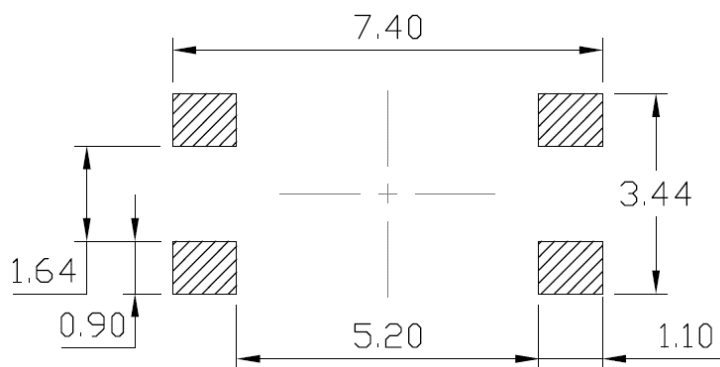


CT121GB Series 4-Pin Mini-Flat Phototransistor Optocoupler

Package Dimension *Dimensions in mm unless otherwise stated*



Recommended Solder Mask *Dimensions in mm unless otherwise stated*





CT121GB Series

4-Pin Mini-Flat Phototransistor Optocoupler

Marking Information



Note:

- CT : Denotes “CT Micro”
- 121 : Part Number
- GB : CTR Rank
- V : VDE Safety Option (V or none)
- Y : Fiscal Year
- WW : Work Week
- K : Manufacturing Code

Ordering Information

CT121GB (V)(Y)

- CT : Denotes “CT Micro”
- 121 : Part Number
- GB : CTR Rank
- V : VDE Safety Option (V or none)
- Y : Tape and reel option (T1 or T2)

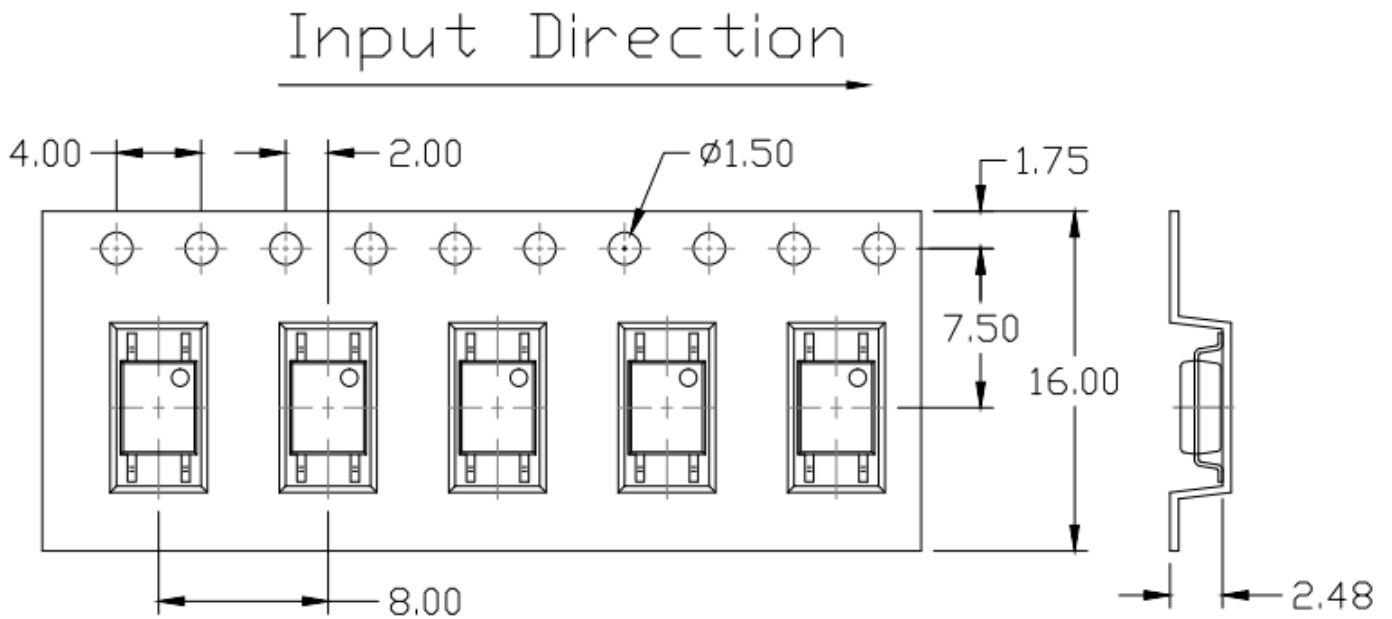
Option	Description	Quantity
T1	Surface Mount Lead Forming – With Option 1 Tapping	3000 Units/Reel
T2	Surface Mount Lead Forming – With Option 2 Tapping	3000 Units/Reel



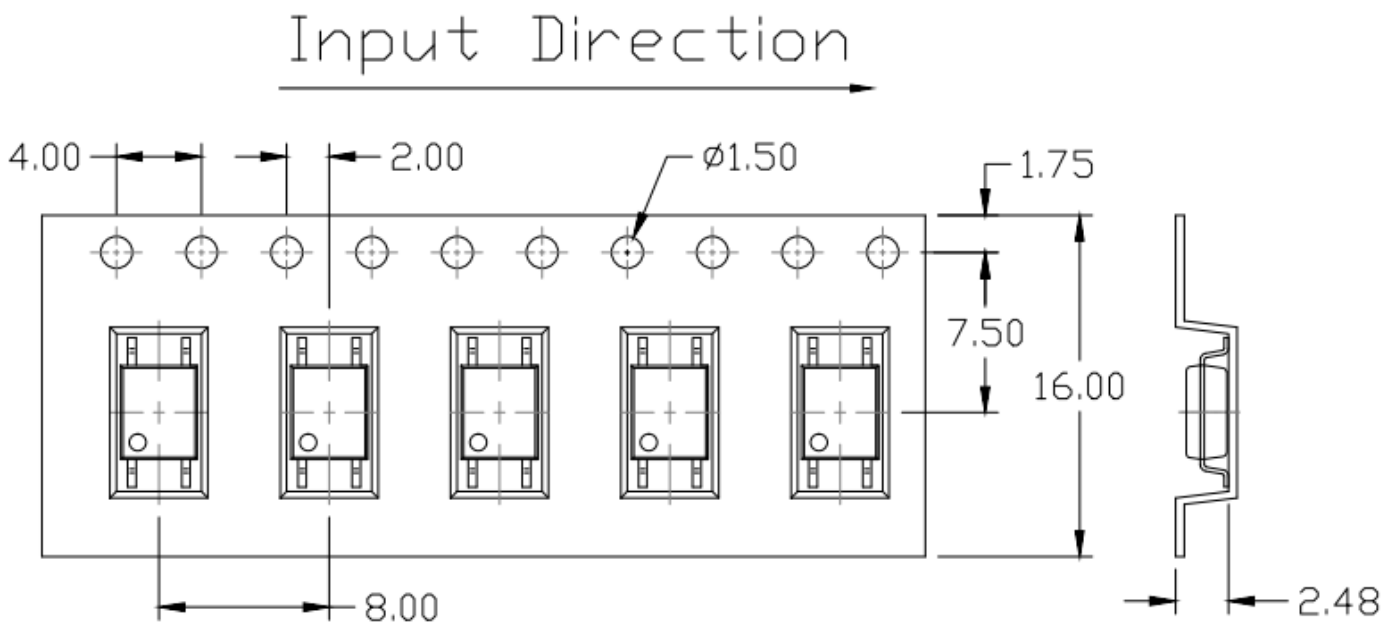
CT121GB Series 4-Pin Mini-Flat Phototransistor Optocoupler

Carrier Tape Specifications *Dimensions in mm unless otherwise stated*

Option T1

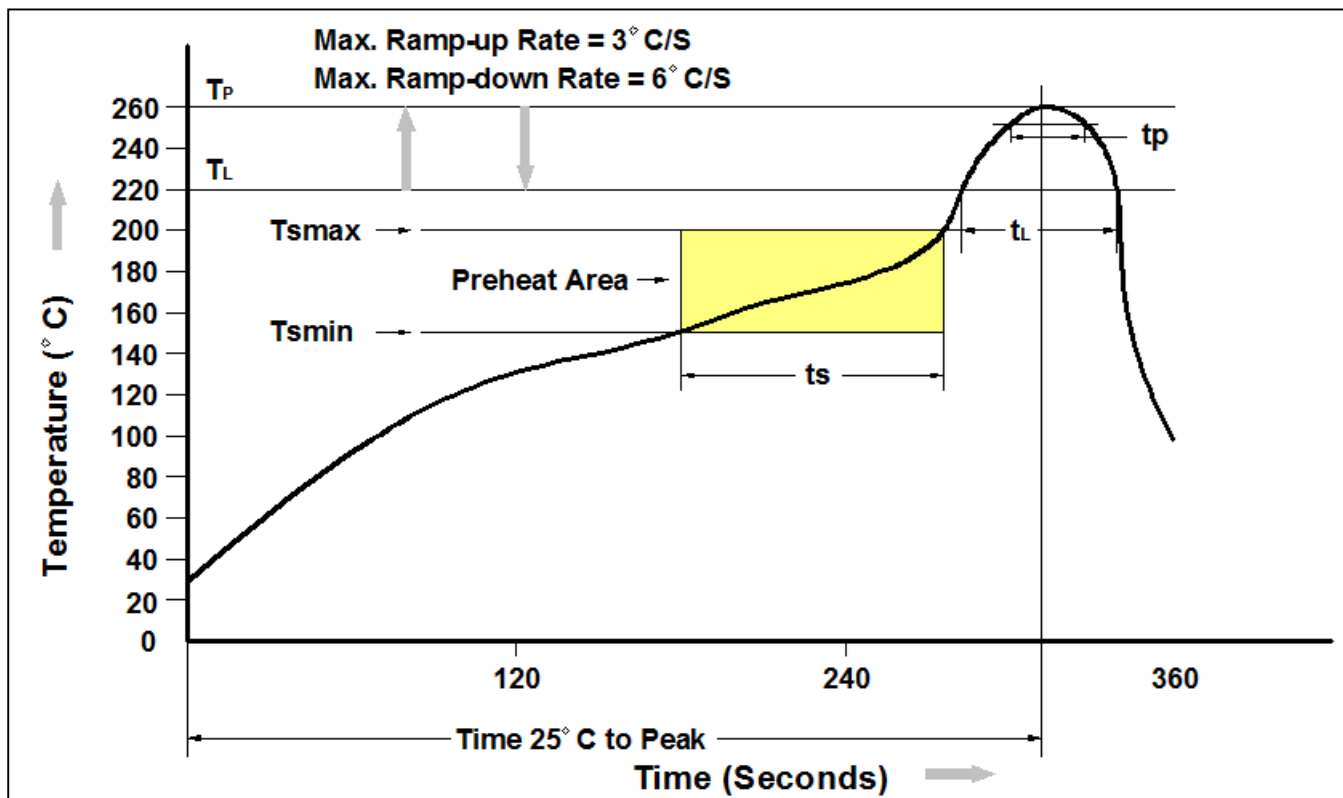


Option T2





Reflow Profile



Profile Feature	Pb-Free Assembly Profile
Temperature Min. (Tsmin)	150°C
Temperature Max. (Tsmax)	200°C
Time (ts) from (Tsmin to Tsmax)	60-120 seconds
Ramp-up Rate (t _L to t _P)	3°C/second max.
Liquidous Temperature (T _L)	217°C
Time (t _L) Maintained Above (T _L)	60 – 150 seconds
Peak Body Package Temperature	260°C +0°C / -5°C
Time (t _P) within 5°C of 260°C	30 seconds
Ramp-down Rate (T _P to T _L)	6°C/second max
Time 25°C to Peak Temperature	8 minutes max.



CT121GB Series 4-Pin Mini-Flat Phototransistor Optocoupler

DISCLAIMER

CT MICRO RESERVES THE RIGHT TO MAKE CHANGES WITHOUT FURTHER NOTICE TO ANY PRODUCTS HEREIN TO IMPROVE RELIABILITY, FUNCTION OR DESIGN. CT MICRO DOES NOT ASSUME ANY LIABILITY ARISING OUT OF THE APPLICATION OR USE OF ANY PRODUCT OR CIRCUIT DESCRIBED HEREIN; NEITHER DOES IT CONVEY ANY LICENSE UNDER ITS PATENT RIGHTS, NOR THE RIGHTS OF OTHERS.

DISCOLORATION MIGHT OCCUR ON THE PACKAGE SURFACE AFTER SOLDERING, REFLOW OR LONG TERM USE. THIS DOES NOT IMPACT THE PRODUCT PERFORMANCE NOR THE PRODUCT RELIABILITY.

CT MICRO ARE NOT AUTHORIZED FOR USE AS CRITICAL COMPONENTS IN LIFE SUPPORT DEVICES OR SYSTEMS WITHOUT EXPRESS WRITTEN APPROVAL OF CT MICRO INTERNATIONAL CORPORATION.

- 1. Life support devices or systems are devices or systems which, (a) are intended for surgical implant into the body, or (b) support or sustain life, or (c) whose failure to perform when properly used in accordance with instruction for use provided in the labelling, can be reasonably expected to result in significant injury to the user.*
- 2. A critical component is any component of a life support device or system whose failure to perform can be reasonably expected to cause the failure of the life support device or system, or to affect its safety or effectiveness.*

单击下面可查看定价，库存，交付和生命周期等信息

[>>CT-MICRO\(兆龙科技\)](#)