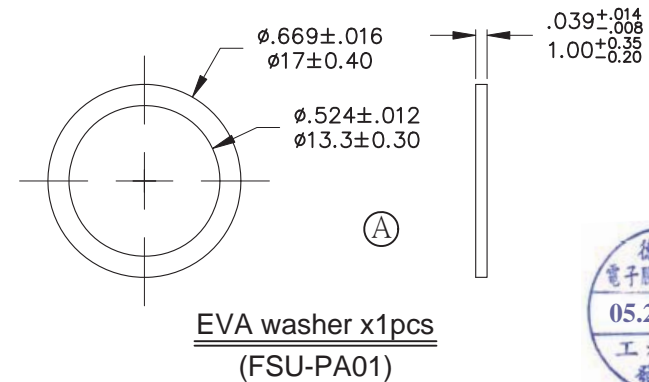
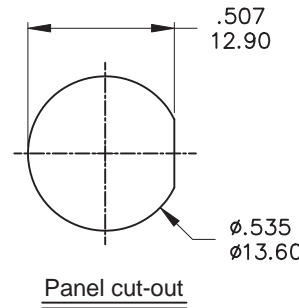
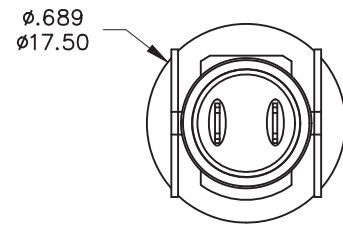
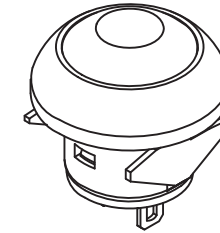
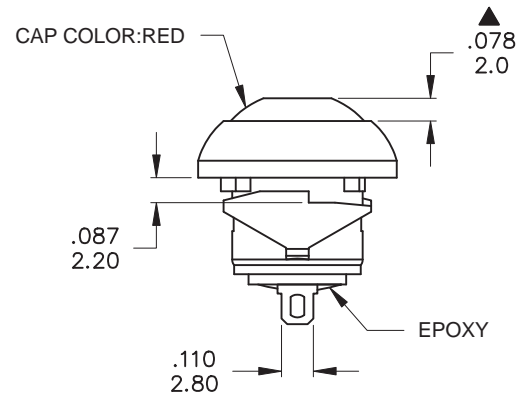
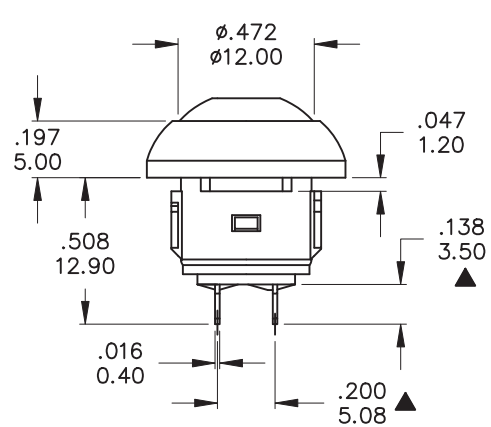


本公司智慧財產，未經同意不得複製
DAILYWELL copyright, may not be used
without permission from DAILYWELL



SPECIFICATIONS

Max. current/voltage rating with resistive load:
400mA 32VAC - 100 mA 50VDC - 125 mA 125VAC.
INITIAL CONTACT RESISTANCE: 50 mΩ max.
INSULATION RESISTANCE: 1 GΩ min. at 500VDC.
DIELECTRIC STRENGTH: 1,000 VAC rms.
ELECTRICAL LIFE AT FULL LOAD: 500,000 cycles.
PANEL THICKNESS: 0.8 mm (.031) min. -1.8 mm (.071) max.
TOTAL TRAVEL: 1.5 mm(.059).
OPERATING FORCE: 2N~5N.
CONTACT BOUNCE: 10 ms.
MECHANICAL LIFE: 1,000,000 cycles.
SOLDERING: 350°C max. for 5 seconds.

MATERIALS

CASE: Diallyl phthalate (DAP)(UL94v-0).
CAP: Polyamide 6/6.
BUSHING: Polyamide 6/6.
TERMINAL/CONTACTS: Gold over silver plated.
RoHS & Lead Free

Model No.	POS.1	POS.2
PAS6	OFF	MOM
Term. Comm.	OPEN	SHORT
SCHEMATIC		

SWITCH FUNCTION

德利威電子股份有限公司
DAILYWELL ELECTRONICS CO.,LTD.

	符號	原尺寸	修改後尺寸	變更日期	SCALE (比例) : 3 : 2 TOLERANCE (公差) : 0.00 mm ± 0.25mm 0.0 mm ± 0.40mm ANGULAR : ± 5° FILE NAME : PASP0414	TITLE 圖名	Sub - Miniature Pushbutton Switches		SIZE 圖紙	A4	
1	Ⓐ	依據N1607修訂FSU-PA01尺寸公差		MAY-27-2016		DWG NO. 圖號	PAS6B1M1CES3-5		UNIT 單位	inch mm	
2	Ⓑ					REV. 版本	B	DATE 日期	DEC - 10 - 2014	SHEET 張數	1 of 1
3	Ⓒ					CHECKED BY 審核			DRAWN BY 製圖	IRENE	
4	Ⓓ										

单击下面可查看定价，库存，交付和生命周期等信息

[>>Dailywell\(德利威\)](#)