

SPECIFICATION FOR APPROVAL

| | |
|-------------------|---------------------------------------|
| CUSTOMER | |
| NOMINAL FREQUENCY | 25.000000 MHz |
| PRODUCT TYPE | TYPE GF 49S SMD QUARTZ CRYSTAL |
| PART NUMBER | GF2500020 |
| CUSTOMER P/N | |
| ISSUE DATE | August 7, 2018 |
| VERSION | B |

| APPROVED | PREPARED | QA |
|------------|--------------|-----------|
| Brenda Kuo | Claire Cheng | Dony Yang |

Diodes Incorporated

No.2, Ziqiang 5th Rd., Zhongli Industrial Park,
Zhongli Dist., Taoyuan City 32063, Taiwan (R.O.C.)
TEL:886-3-451-8888
FAX:886-3-461-3865
<https://www.diodes.com>

*RoHS Compliant
*HF-Halogen Free
*REACH Compliant

TYPE GF 49S SMD QUARTZ CRYSTAL

GF2500020

VER.B 07-AUG-18

VERSION HISTORY

| Version No. | Version Date | Description | Notes |
|-------------|--------------|-----------------|-------|
| A | Dec. 2, 2011 | Initial Release | |
| B | Aug. 7, 2018 | Updated logo | |

TYPE GF 49S SMD QUARTZ CRYSTAL

GF2500020

VER.B 07-AUG-18

ELECTRICAL SPECIFICATIONS

| Item | Symbol | Specifications | Units | Notes |
|---|--------|--------------------|---------------|------------------------------------|
| Nominal Frequency | Fn | 25.000000 | MHz | |
| Mode of Oscillation | MO | AT Cut-Fundamental | | |
| Calibration Load Capacitance | CL | 20 | pF | |
| Calibration Tolerance | FL | ± 25 | ppm | at 25°C $\pm 3^{\circ}\text{C}$ |
| Operating Temperature Range | TR | -40 to +105 | °C | |
| Frequency Stability(Frequency Deviation over the Operating Temperature Range) | F/T | ± 50 | ppm | Reference to the Frequency at 25°C |
| Operating Drive Level | | 100 | μW | |
| Maximum Drive Level | | 1000 | μW | |
| Equivalent Series Resistance | ESR | 25 | Ω | Max. |
| Shunt Capacitance | C0 | 7 | pF | Max. |
| Aging at 25°C | | ± 5 | ppm | Max, 1st year |
| Storage Temperature | | -55 to +125 | °C | |
| Insulation Resistance | | 500 | M Ω | Min |

TYPE GF 49S SMD QUARTZ CRYSTAL

GF2500020

VER.B 07-AUG-18

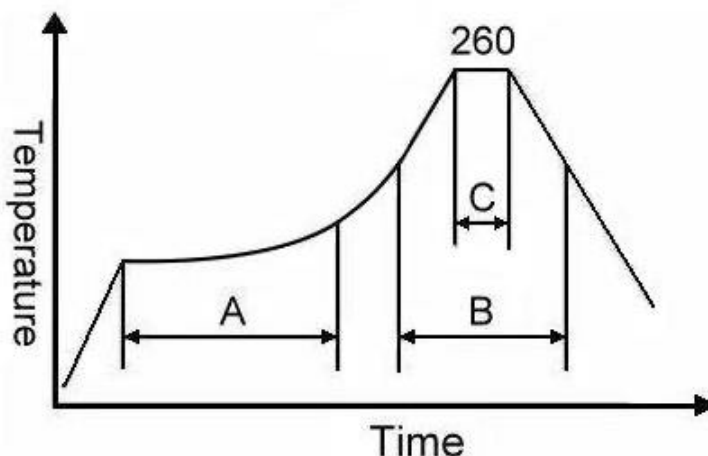
RELIABILITY SPECIFICATIONS

MECHANICAL AND ENVIRONMENTAL RATINGS:

- a) FINE LEAK TEST: JESD22-A109 (Condition 1A)
- b) GROSS LEAK TEST: JESD22-A109 (Condition C)
- c) MOISTURE RESISTANCE: JESD22-A113
- d) SHOCK: JESD22-B104 (Condition B)
- e) SOLDERABILITY : (RoHS version): J-STD-002
- f) VIBRATION: JESD22-B103
- g) SOLVENT RESISTANCE: JESD22-B107
- h) RESISTANCE TO SOLDERING HEAT (RoHS version): J-STD-020D Table 5.2 Pb free devices (3 cycles max)

SUGGESTED IR REFLOW PROFILE

*As per IPC-JEDEC J-STD-020D



Note:

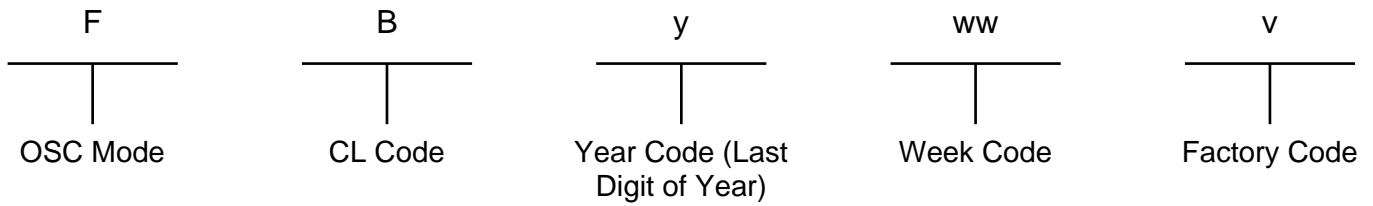
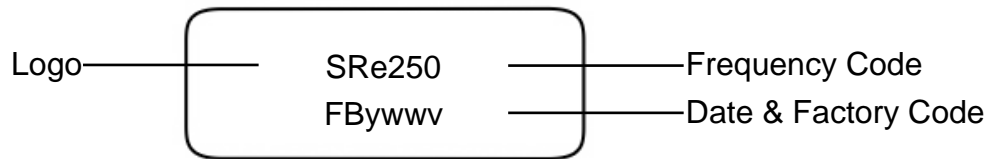
| | Stage | Temperature | Time |
|---|--------------|-------------|------------|
| A | Preheat | 150~200°C | 60~120 Sec |
| B | Primary Heat | 217°C | 60~150 Sec |
| C | Peak | 260°C | 10 Sec |

TYPE GF 49S SMD QUARTZ CRYSTAL

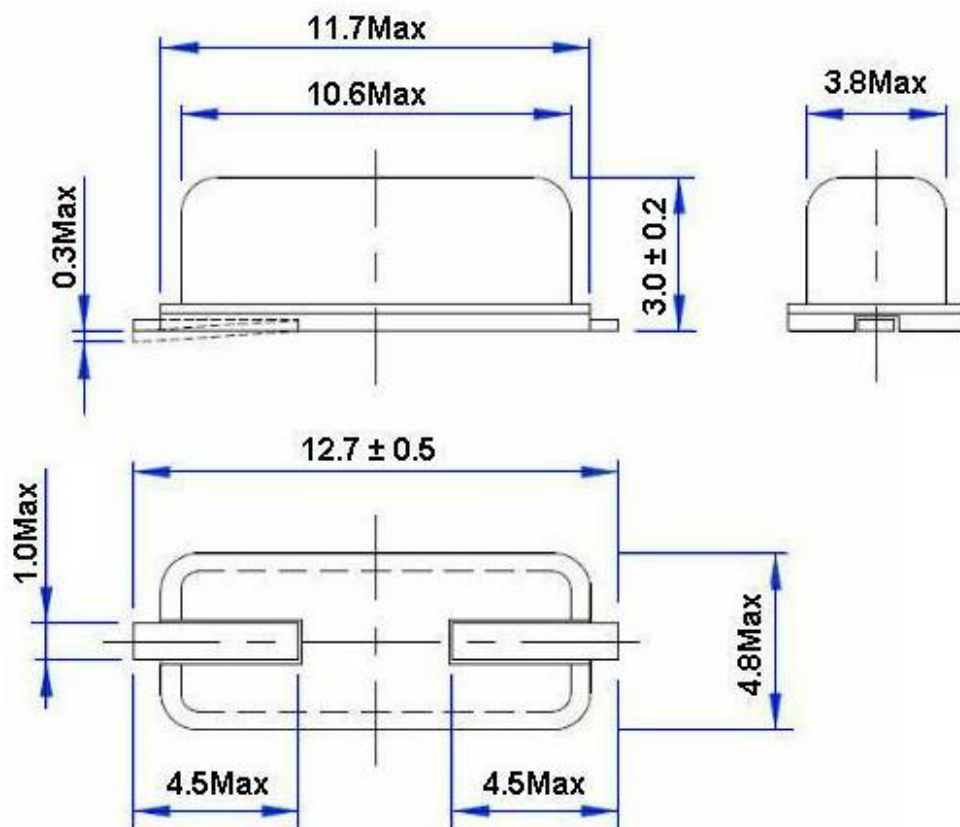
GF2500020

VER.B 07-AUG-18

MARKING



MECHANICAL DRAWINGS (Scale: None. Dimensions are in mm.)

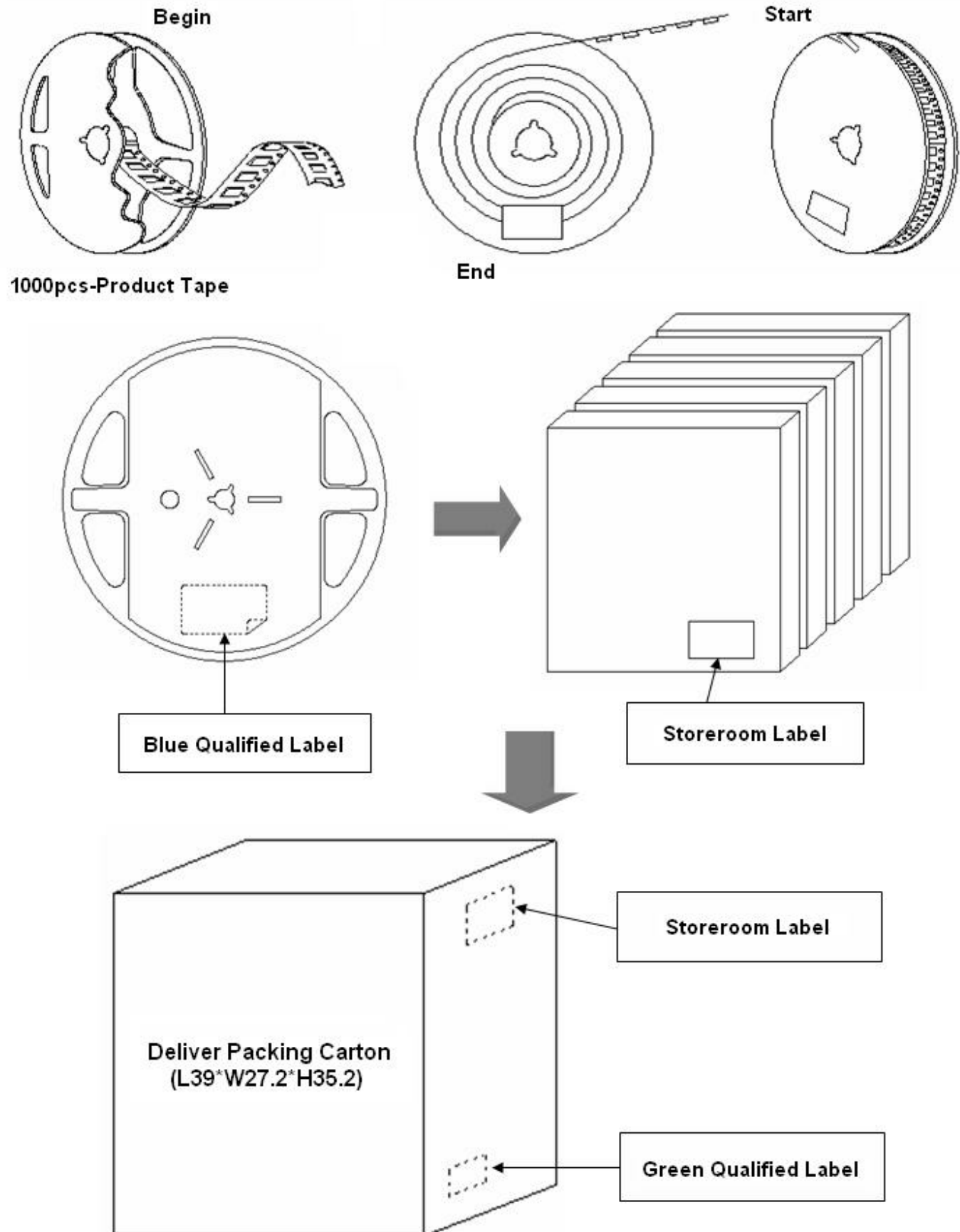


TYPE GF 49S SMD QUARTZ CRYSTAL

GF2500020

VER.B 07-AUG-18

PACKING



单击下面可查看定价，库存，交付和生命周期等信息

[>>Diodes Incorporated\(达达科技\(美台\)\)](#)