



A Product Line of
Diodes Incorporated



SPECIFICATION FOR APPROVAL

| | |
|-------------------|--|
| CUSTOMER | _____ |
| NOMINAL FREQUENCY | 156.250000 MHz |
| PRODUCT TYPE | TYPE NX 7.0x5.0 SEAM SEALED CRYSTAL CLOCK OSCILLATOR |
| SPEC. NO. (P/N) | NX74F6201Z |
| CUSTOMER P/N | _____ |
| ISSUE DATE | June 7, 2018 |
| VERSION | B |

| APPROVED | PREPARED | QA |
|-------------------|---------------------|------------------|
| <i>Brenda Kuo</i> | <i>Winnie Chang</i> | <i>Dony Yang</i> |

Diodes Incorporated

No.2, Ziqiang 5th Rd., Zhongli Industrial Park,
 Zhongli Dist., Taoyuan City 32063, Taiwan (R.O.C.)
 TEL: 886-3-451-8888
 FAX: 886-3-461-3865
<https://www.diodes.com>

- *Pb-free
- *RoHS Compliant
- *HF-Halogen Free
- *REACH Compliant

TYPE NX 7.0x5.0 SEAM SEALED CRYSTAL CLOCK OSCILLATOR

NX74F6201Z

VER. B 7-Jun-18

VERSION HISTORY

| Version No. | Version Date | Description | Notes |
|-------------|--------------|-----------------|-------|
| A | Nov.16,2016 | Initial Release | |
| B | Jun.7,2018 | Updated Logo | |
| | | | |
| | | | |
| | | | |
| | | | |
| | | | |
| | | | |
| | | | |
| | | | |
| | | | |
| | | | |
| | | | |
| | | | |
| | | | |
| | | | |
| | | | |
| | | | |
| | | | |
| | | | |
| | | | |
| | | | |
| | | | |



TYPE NX 7.0x5.0 SEAM SEALED CRYSTAL CLOCK OSCILLATOR

NX74F6201Z

VER. B 7-Jun-18

ELECTRICAL SPECIFICATIONS

SRe Part Number : NX74F6201Z

| Item | Symbol | Specifications | Units | Notes |
|---------------------------------|--------------------------------|------------------------|-------|---|
| Nominal Frequency | F ₀ | 156.250000 | MHz | |
| Frequency Stability | FT | ± 50 | ppm | **See note |
| Operating Temperature Range | TR | -20 to +70 | °C | |
| Supply Voltage | V _{CC} | +3.3 ± 5.0% | V | |
| Logic Type | LT | HCSL | | |
| Supply Current, Output Enabled | I _{CC/OE} | 70 | mA | Max. |
| Supply Current, Output Disabled | I _{CC/OD} | 40 | mA | Max. |
| Duty Cycle (Symmetry) | DC/SY | 45 / 55 | % | Measured 50% of Waveform |
| Rise / Fall Time | T _R /T _F | 700 | ps | Max. measured from Vol=0.175V to Voh=0.525V |
| Output Voltage "0" Level | V _{OL} | -0.150 / 0 | V | Min. / Typ. |
| Output Voltage "1" Level | V _{OH} | 0.66 / 0.70 / 0.90 | V | Min. / Typ. / Max. |
| Output Load | | Rs=33Ω, Rp=50Ω, CL=2pF | | Output requires termination |
| Jitter, Phase | RMS | 1 | ps | Max. 12KHz ~ 20MHz Frequency Band |
| Jitter, Accumulated | RMS(1-σ) | 6 | ps | Max. 20,000 Consecutive Periods |
| Jitter, Peak to Peak | Pk-Pk | 40 | ps | Max. 100,000 Random Periods |
| Storage Temperature Range | | -55 to +125 | °C | |

※ This product doesn't include harmful substance that stipulated by SONY SS-00259 Level 1 and S-AT2-001 Level 1 standard. RoHS Compliant (Pb - Free).

**Stability includes all combinations of Operating Temperature, Load changes, rated Input (Supply) Voltage changes, Initial Calibration Tolerance (25°C), Aging (1 year at 25°C Average Effective Ambient Temperature), Shock and Vibration.

Output Enable / Disable Function

| Parameter | Min. | Typ. | Max. | Units | Notes |
|--|--------------------|------|--------------------|-------|----------------|
| Input Voltage (Pin1), Output Enable | 0.7V _{CC} | | | V | Or Open |
| Input Voltage (Pin1), Output Disable (low power standby) | | | 0.3V _{CC} | V | Output is Hi-Z |
| Output Disable Delay | | | 100 | ns | |
| Output Enable Delay | | | 100 | ns | |
| Start Up Time | | | 10 | ms | |

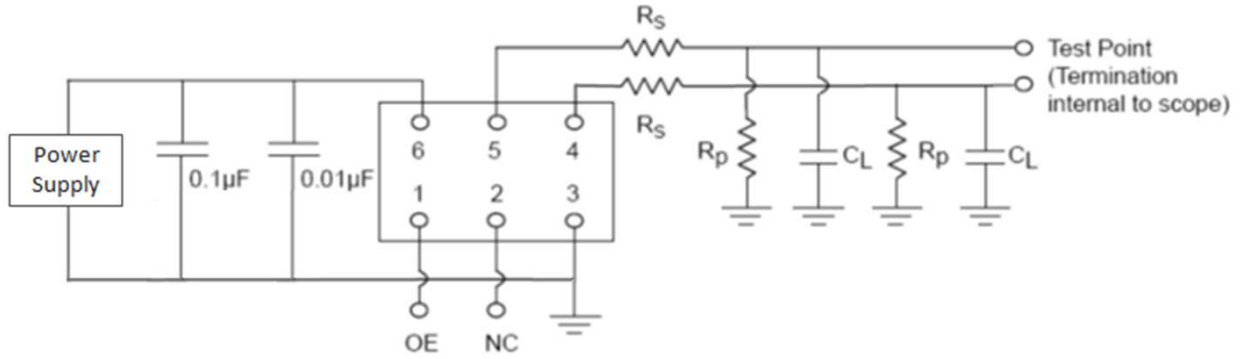


TYPE NX 7.0x5.0 SEAM SEALED CRYSTAL CLOCK OSCILLATOR

NX74F6201Z

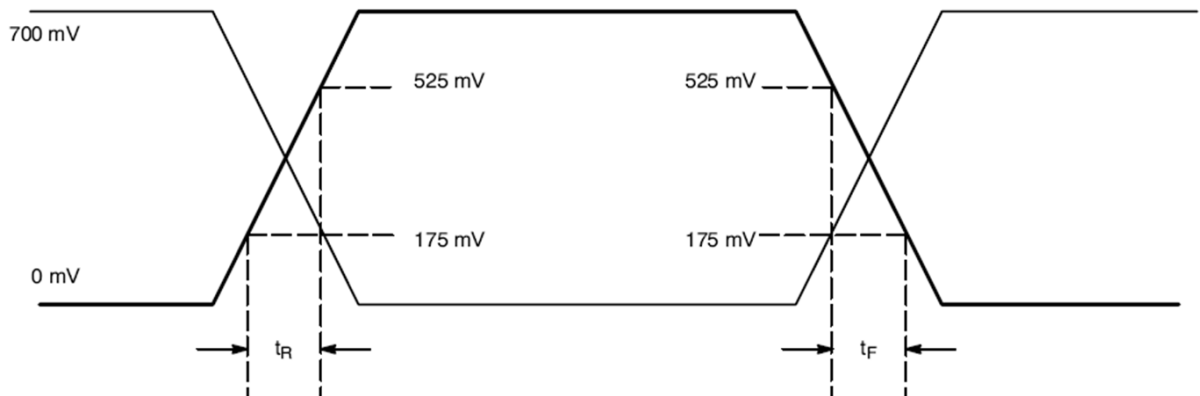
VER. B 7-Jun-18

TEST CIRCUIT



$$R_S = 33\Omega \quad R_p = 50\Omega, \quad C_L = 2\text{pF}$$

OUTPUT WAVEFORM



TYPE NX 7.0x5.0 SEAM SEALED CRYSTAL CLOCK OSCILLATOR

NX74F6201Z

VER. B 7-Jun-18

RELIABILITY SPECIFICATIONS

ENVIRONMENTAL:

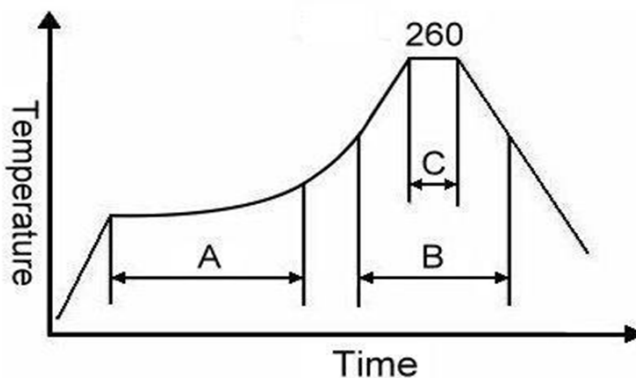
- a) THERMAL SHOCK: MIL-STD-883, Method 1011, Condition A
- b) MOISTURE RESISTANCE: MIL-STD-883, Method 1004
- c) VIBRATION: MIL-STD-883, Method 2007, Condition A
- d) RESISTANCE TO SOLDERING HEAT: J-STD-020D Table 5-2 Pb-free devices (except 2 cycles max)
- e) HAZARDOUS SUBSTANCE: Pb - free and RoHS/ Green Compliant.

MECHANICAL:

- a) SHOCK: MIL-STD-883, Method 2002, Condition B
- b) SOLDERABILITY: JESD22-B102-D Method 2 (Preconditioning E)
- c) TERMINAL STRENGTH: MIL-STD-883, Method 2004, Test Condition D
- d) GROSS LEAK: MIL-STD-883, Method 1014, Condition C
- e) FINE LEAK: MIL-STD-883, Method 1014, Condition A2, $R1=2 \times 10^{-8}$ atm cc/s
- f) SOLVENT RESISTANCE: MIL-STD-202, Method 215

SUGGESTED IR REFLOW PROFILE

*As per IPC-JEDEC J-STD-020D



Note:

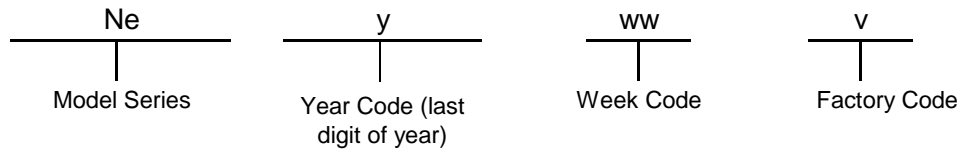
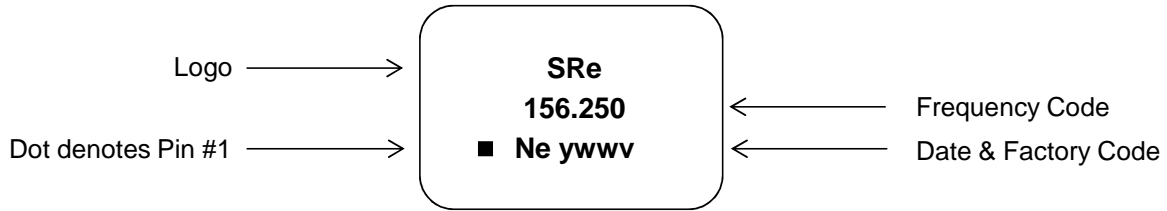
| | Stage | Temperature | Time |
|---|--------------|-------------|------------|
| A | Preheat | 150~200°C | 60~120 Sec |
| B | Primary Heat | 217°C | 60~150 Sec |
| C | Peak | 260°C | 10 Sec |

TYPE NX 7.0x5.0 SEAM SEALED CRYSTAL CLOCK OSCILLATOR

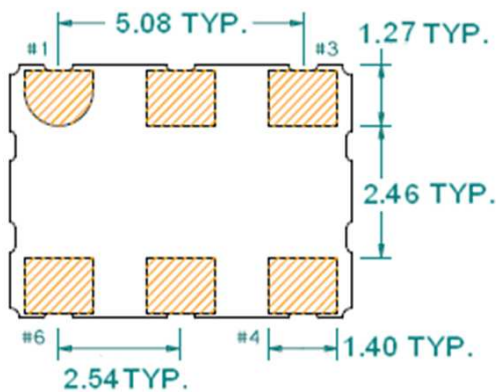
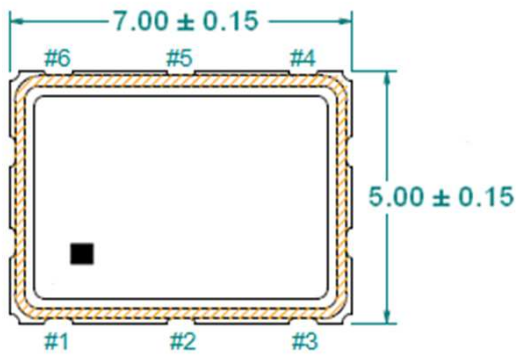
NX74F6201Z

VER. B 7-Jun-18

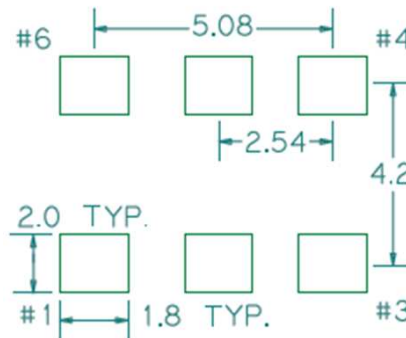
MARKING



MECHANICAL DRAWINGS (Scale: None. Dimensions are in mm.)



Recommended Land Pattern*



*External high-frequency power decoupling is recommended. (see test circuit for minimum recommendation). To ensure optimal performance, do not route traces beneath the package.

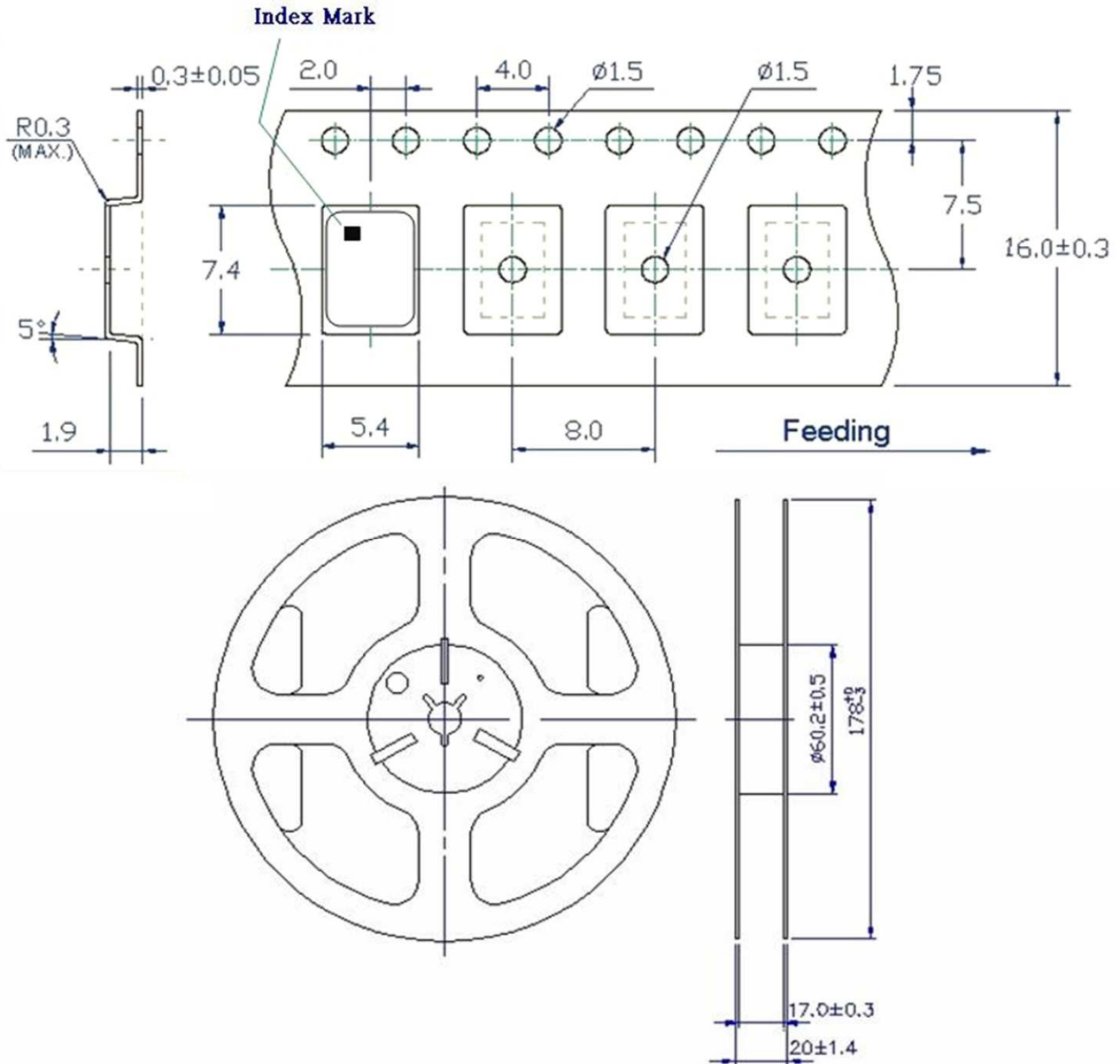
| Pin | Function |
|-----|-----------------|
| 1 | OE |
| 2 | NC |
| 3 | Ground |
| 4 | Q |
| 5 | \bar{Q} |
| 6 | V _{CC} |

TYPE NX 7.0x5.0 SEAM SEALED CRYSTAL CLOCK OSCILLATOR

NX74F6201Z

VER. B 7-Jun-18

TAPE & REEL



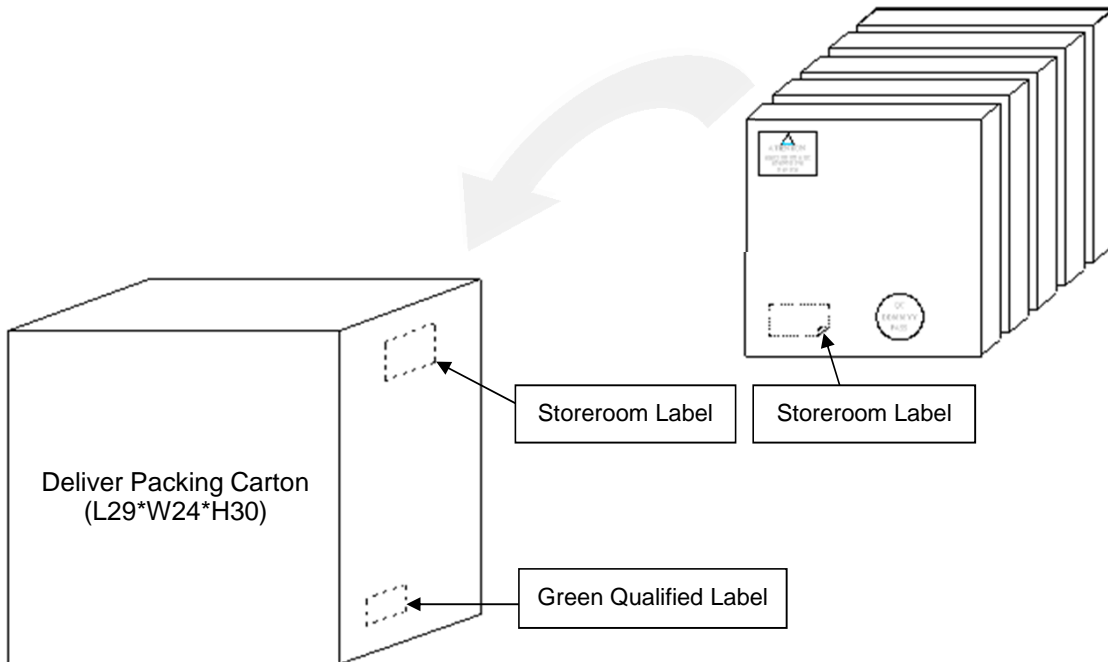
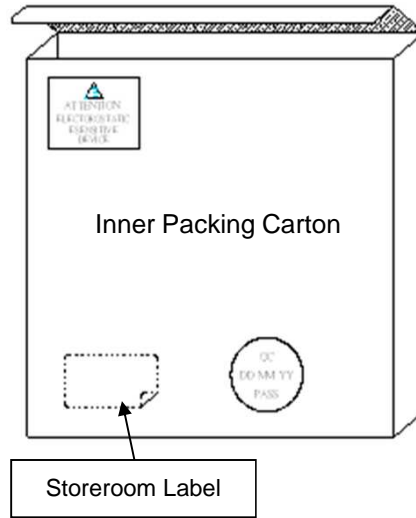
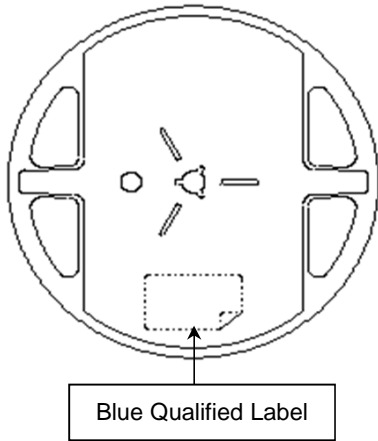
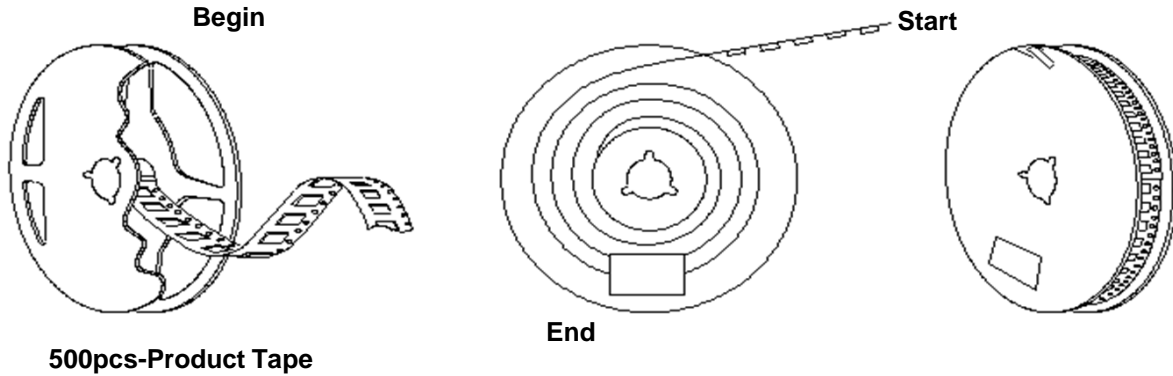
1. 230mm minimum leader which consist of carrier and/or tape followed by a minimum of 160mm of empty carrier tape sealed with cover tape.
2. 160mm minimum trailer of empty carrier tape sealed with cover tape.

TYPE NX 7.0x5.0 SEAM SEALED CRYSTAL CLOCK OSCILLATOR

NX74F6201Z

VER. B 7-Jun-18

PACKING



单击下面可查看定价，库存，交付和生命周期等信息

[>>Diodes Incorporated\(达达科技\(美台\)\)](#)