



A Product Line of  
Diodes Incorporated



# SPECIFICATION FOR APPROVAL

|                   |  |
|-------------------|--|
| CUSTOMER          | _____  |
| NOMINAL FREQUENCY | 40.000000 MHz  |
| PRODUCT TYPE      | TYPE HX 5.0x3.2 SEAM SEALED CRYSTAL CLOCK OSCILLATOR |
| SPEC. NO. ( P/N ) | HX5140005Q   |
| CUSTOMER P/N      | _____  |
| ISSUE DATE        | May 23, 2018   |
| VERSION           | B  |

| APPROVED          | PREPARED          | QA               |
|-------------------|-------------------|------------------|
| <b>Brenda Kuo</b> | <b>Yamy Huang</b> | <b>Dony Yang</b> |

## Diodes Incorporated

No.2, Ziqiang 5th Rd., Zhongli Industrial Park,  
 Zhongli Dist., Taoyuan City 32063, Taiwan (R.O.C.)  
 TEL: 886-3-451-8888  
 FAX: 886-3-461-3865  
<https://www.diodes.com>

- \*Pb-free
- \*RoHS Compliant
- \*HF-Halogen Free
- \*REACH Compliant
- \*AEC-Q200 Compliant



# TYPE HX 5.0x3.2 SEAM SEALED CRYSTAL CLOCK OSCILLATOR

## HX5140005Q

VER. B 23-May-18

### ELECTRICAL SPECIFICATIONS

SRe Part Number : HX5140005Q

| Item                            | Symbol                         | Specifications      | Units | Notes                             |
|---------------------------------|--------------------------------|---------------------|-------|-----------------------------------|
| Nominal Frequency               | F <sub>0</sub>                 | 40.000000           | MHz   |                                   |
| Frequency Stability             | FT                             | ± 50                | ppm   | **See note                        |
| Operating Temperature Range     | TR                             | -40 to +125         | °C    |                                   |
| Supply Voltage                  | V <sub>DD</sub>                | +3.3 ± 5.0%         | V     |                                   |
| Logic Type                      | LT                             | LVC MOS             |       |                                   |
| Supply Current, Output Enabled  | I <sub>DD</sub> /OE            | 20                  | mA    | Max.                              |
| Supply Current, Output Disabled | I <sub>DD</sub> /OD            | 100                 | µA    | Max.                              |
| Duty Cycle (Symmetry)           | DC/SY                          | 45 / 55             | %     | Measured 50% of Waveform          |
| Rise / Fall Time                | T <sub>R</sub> /T <sub>F</sub> | 8                   | ns    | Max. measured 20/80% of Waveform  |
| Output Voltage "0" Level        | V <sub>OL</sub>                | 10% V <sub>DD</sub> | V     | Max.                              |
| Output Voltage "1" Level        | V <sub>OH</sub>                | 90% V <sub>DD</sub> | V     | Min.                              |
| Output Load                     | CL                             | 15                  | pF    | Max                               |
| Jitter, Phase                   | RMS                            | 1                   | ps    | Max. 12KHz ~ 20MHz Frequency Band |
| Jitter, Accumulated             | RMS(1-σ)                       | 4                   | ps    | Max. 20,000 Consecutive Periods   |
| Jitter, Peak to Peak            | Pk-Pk                          | 40                  | ps    | Max. 100,000 Random Periods       |
| Start Up Time                   |                                | 10                  | ms    | Max.                              |
| Storage Temperature Range       |                                | -55 to +125         | °C    |                                   |

※ This product doesn't include harmful substance that stipulated by SONY SS-00259 Level 1 and S-AT2-001 Level 1 standard. RoHS Compliant (Pb-Free).

\*\*Stability includes all combinations of Operating Temperature, Load changes, rated Input (Supply) Voltage changes, Initial Calibration Tolerance (25°C), Aging (1 year at 25°C Average Effective Ambient Temperature), Shock and Vibration.

#### Output Enable / Disable Function

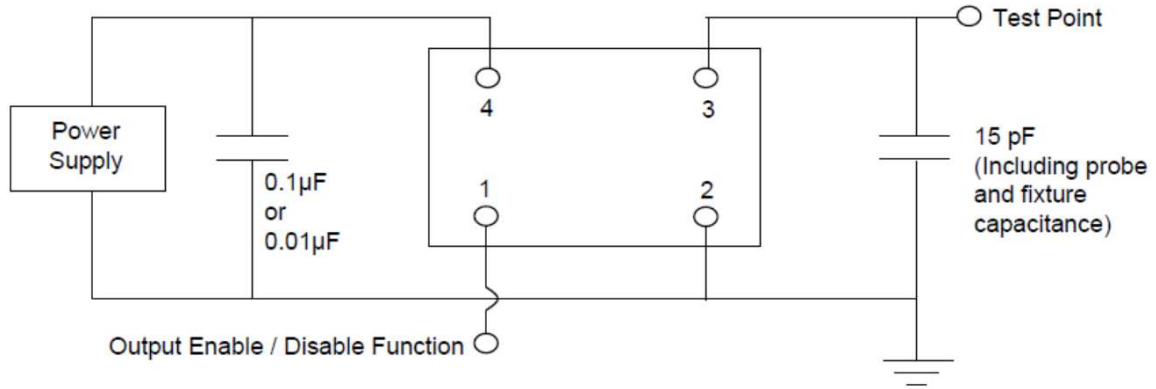
| Parameter  | Min.               | Typ. | Max.               | Units | Notes          |
|--|--------------------|------|--------------------|-------|----------------|
| Input Voltage (Pin1), Output Enable                      | 0.7V <sub>DD</sub> |      |                    | V     | Or Open        |
| Input Voltage (Pin1), Output Disable (low power standby) |                    |      | 0.3V <sub>DD</sub> | V     | Output is Hi-Z |
| Internal Pullup Resistance                               | 30                 |      |                    | KΩ    |                |
| Output Disable Delay                                     |                    |      | 50                 | ns    |                |

# TYPE HX 5.0x3.2 SEAM SEALED CRYSTAL CLOCK OSCILLATOR

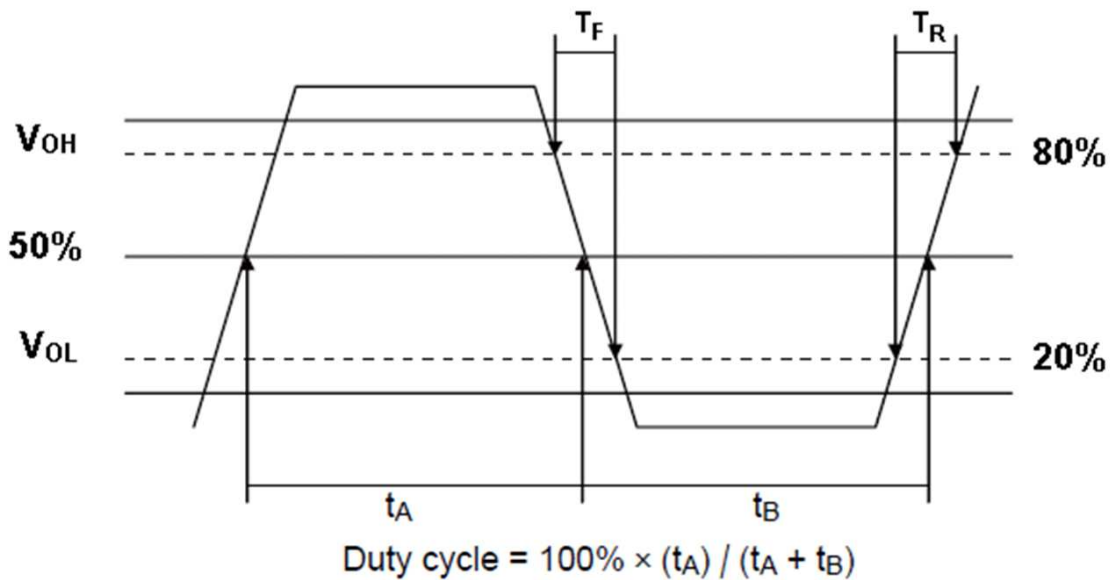
**HX5140005Q**

VER. B 23-May-18

## TEST CIRCUIT



## OUTPUT WAVEFORM



# TYPE HX 5.0x3.2 SEAM SEALED CRYSTAL CLOCK OSCILLATOR

**HX5140005Q**

VER. B 23-May-18

## AEC-Q200 RELIABILITY TEST SPECIFICATIONS:

### 1. Initial

- 1.1 Physical Dimensions: JESD22, Method JB1-100
- 1.2 External Visual: MIL-STD-883, Method 2009
- 1.3 Freq. Vs. Temperature: Per Specification/Datasheet

### 2. Mechanical

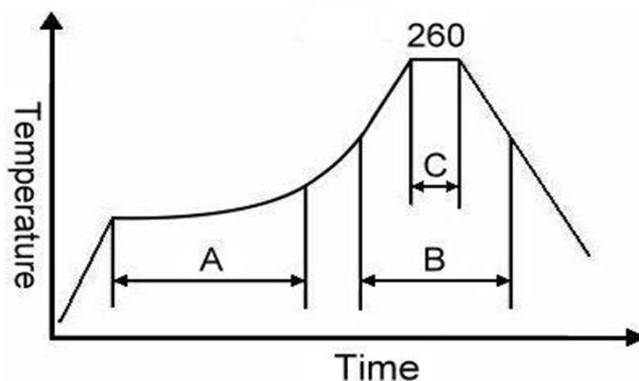
- 2.1 Mechanical Shock: MIL-STD-202 Method 213
- 2.2 Vibration: MIL-STD-202 Method 204
- 2.3 Solderability: J-STD-002
- 2.4 Board Flex: AEC Q200-005
- 2.5 Terminal Strength (SMD): AEC Q200-006

### 3.Environmental

- 3.1 Temp Cycle: JESD22, Method JA-104
- 3.2 Resistance to Solder Heat: MIL-STD-202 Method 210
- 3.3 High Temperature Operating Life: MIL-STD-202, Method 108
- 3.4 High Temp Exposure: MIL-STD-202, Method 108
- 3.5 High Temp & High Humidity: MIL-STD-202, Method 103
- 3.6 Thermal Shock: MIL-STD-202, Method 107

## SUGGESTED IR REFLOW PROFILE

\*As per IPC-JEDEC J-STD-020D



Note:

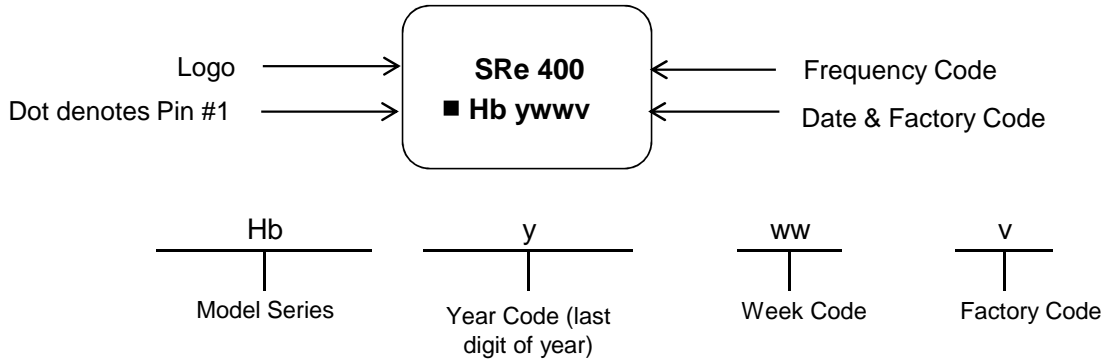
|   | Stage        | Temperature | Time       |
|---|--------------|-------------|------------|
| A | Preheat      | 150~200°C   | 60~120 Sec |
| B | Primary Heat | 217°C       | 60~150 Sec |
| C | Peak         | 260°C       | 10 Sec     |

# TYPE HX 5.0x3.2 SEAM SEALED CRYSTAL CLOCK OSCILLATOR

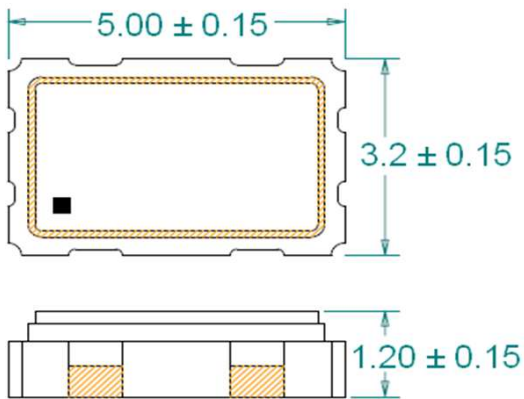
## HX5140005Q

VER. B 23-May-18

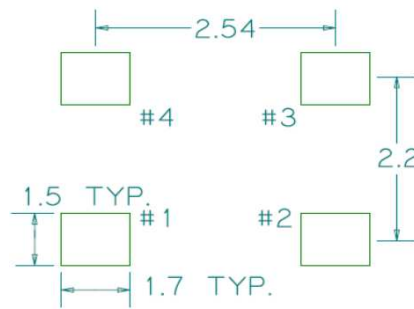
### MARKING



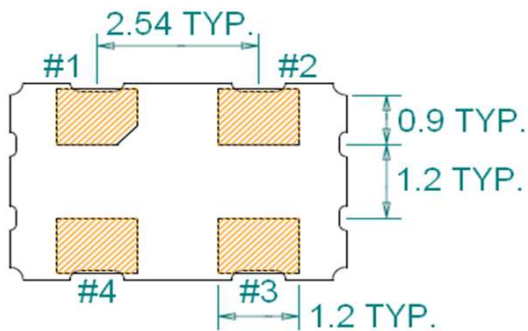
### MECHANICAL DRAWINGS ( Scale: None. Dimensions are in mm.)



#### Recommended Land Pattern\*



\*External high-frequency power decoupling is recommended. (see test circuit for minimum recommendation). To ensure optimal performance, do not route traces beneath the package.



(Bottom View)

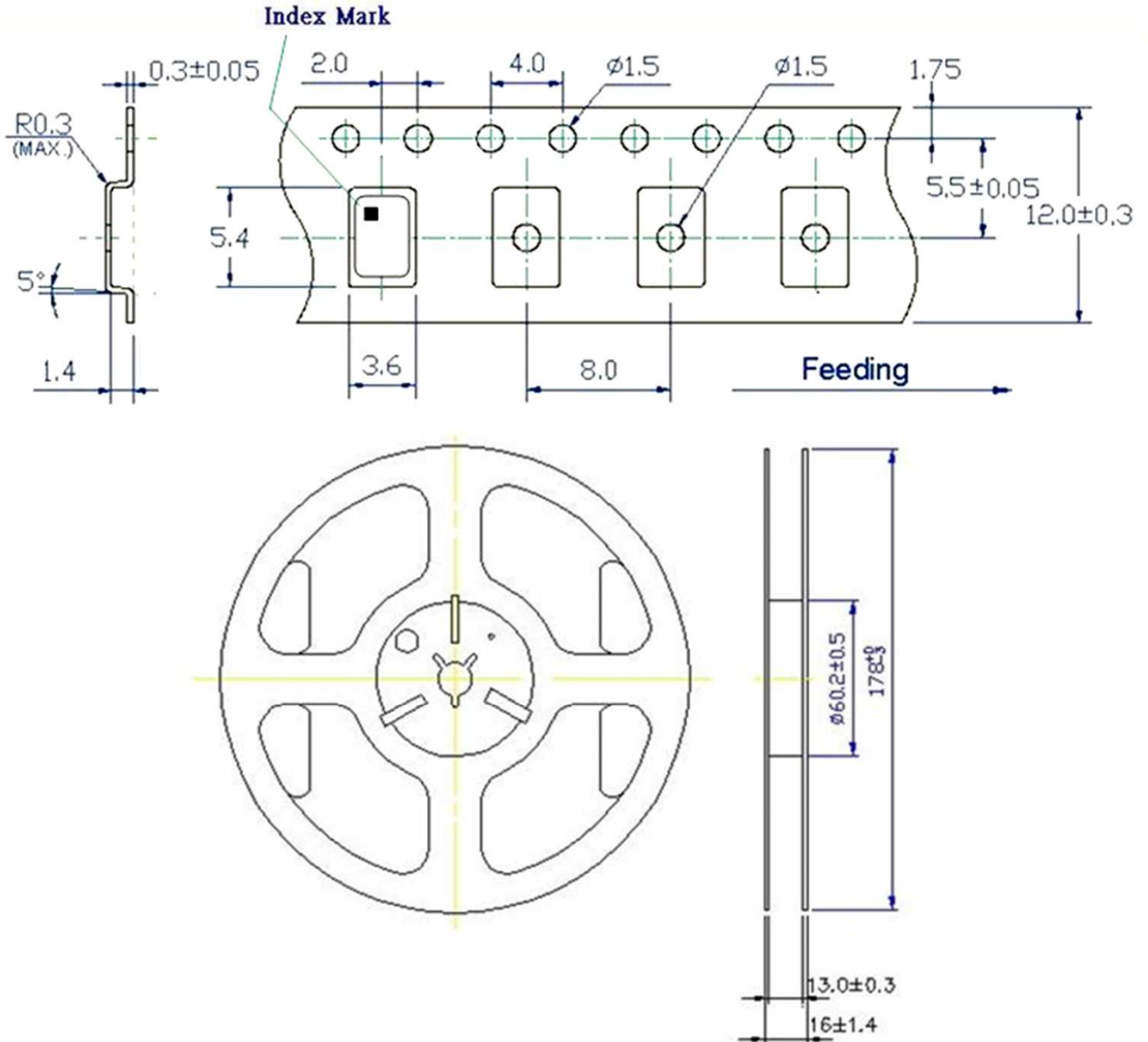
| Pin | Function     |
|-----|--------------|
| 1   | OE           |
| 2   | Ground       |
| 3   | Clock Output |
| 4   | $V_{DD}$     |

# TYPE HX 5.0x3.2 SEAM SEALED CRYSTAL CLOCK OSCILLATOR

**HX5140005Q**

VER. B 23-May-18

## Tape & Reel



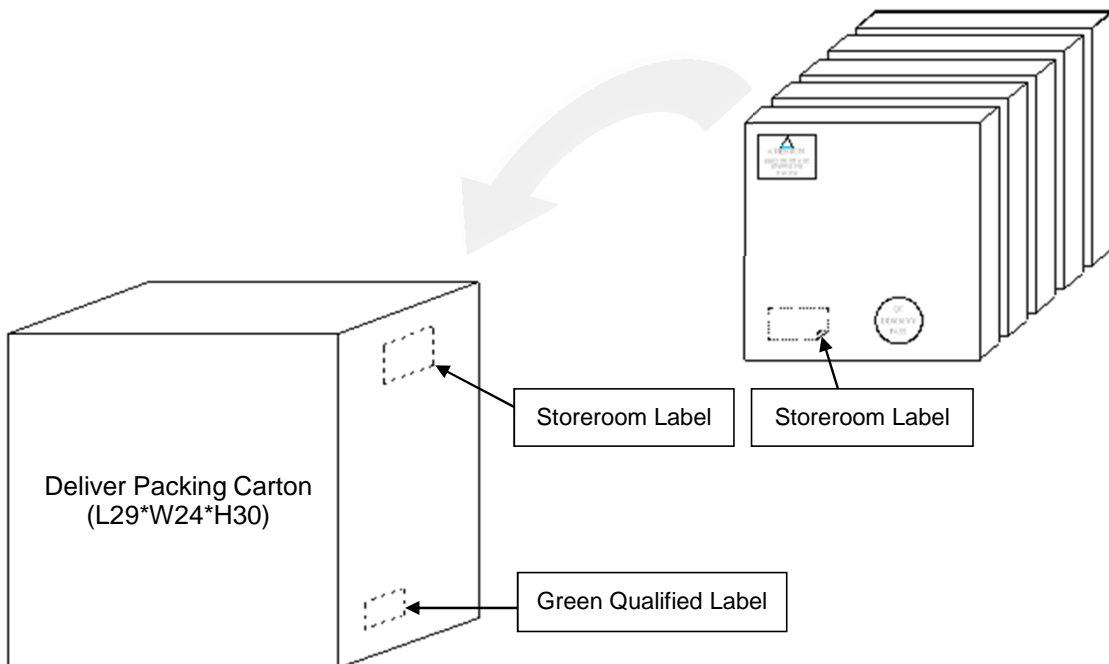
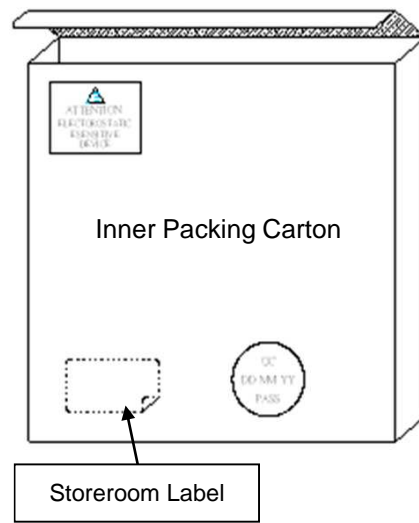
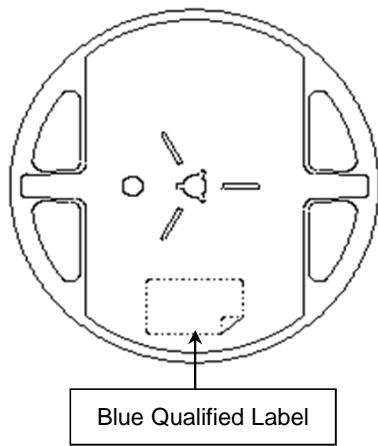
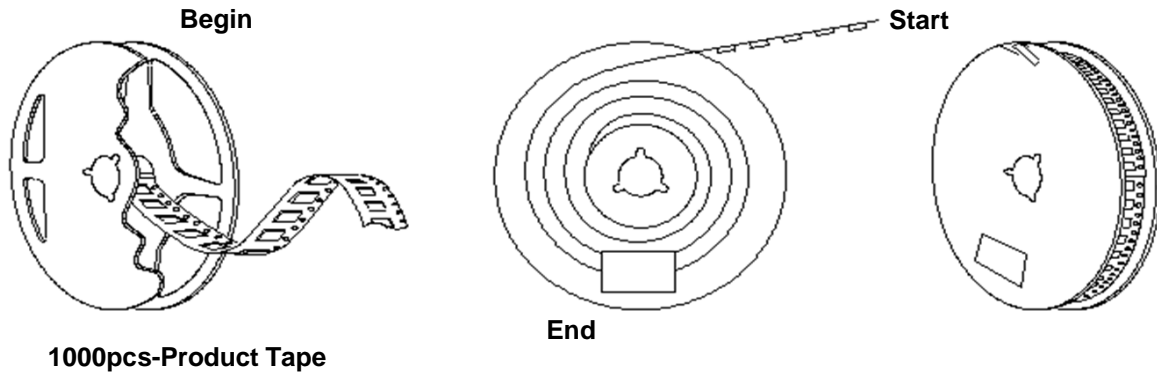
1. 230mm minimum leader which consist of carrier and/or tape followed by a minimum of 160mm of empty carrier tape sealed with cover tape.
2. 160mm minimum trailer of empty carrier tape sealed with cover tape.

# TYPE HX 5.0x3.2 SEAM SEALED CRYSTAL CLOCK OSCILLATOR

## HX5140005Q

VER. B 23-May-18

### PACKING





单击下面可查看定价，库存，交付和生命周期等信息

[>>Diodes Incorporated\(达达科技\(美台\)\)](#)