

PI3VDP3212

2-Lane DisplayPort™ Rev 1.2 Compliant Switch

Features

- Two-Lane, 1:2 Mux/Demux Supports RBR, HBR1, or HBR2
- One-Channel 1:2 Mux/Demux for DP_HPDP Signal
- One-Differential Channel 1:2 Mux/Demux for DP_Aux Signal with Support up to 720Mbps
- Insertion Loss for High-Speed Channels @ 2.7 GHz: -1.7dB
- -3dB Bandwidth for High-Speed Channels: 4.7GHz
- Return Loss for High-Speed Channels @ 2.7GHz: -16dB
- Low Bit-to-Bit Skew, 7ps max (between '+' and '-' bits)
- Low Crosstalk for High-Speed Channels: -25dB @ 5.4Gbps
- Low Off Isolation for High-Speed Channels: -25dB @ 5.4Gbps
- V_{DD} Operating Range: 3.3V ±10%
- ESD Tolerance: 2kV HBM
- Low Channel-to-Channel Skew, 35ps max
- Totally Lead-Free & Fully RoHS Compliant (Notes 1 & 2)
- Halogen and Antimony Free. “Green” Device (Note 3)
- Packaging (Pb-free & Green):
 - 32 TQFN (ZL)

Truth Table

\overline{OE}	SEL	AUX_SEL	Function
Low	Low	Low	Port A Active for all Channels
Low	Low	High	Port A for HS, Port B for HPD/AUX
Low	High	Low	Port B for HS, Port A for HPD/AUX
Low	High	High	Port B Active for all Channels
High	x	x	All I/Os are hi-z and IC is Power Down

Description

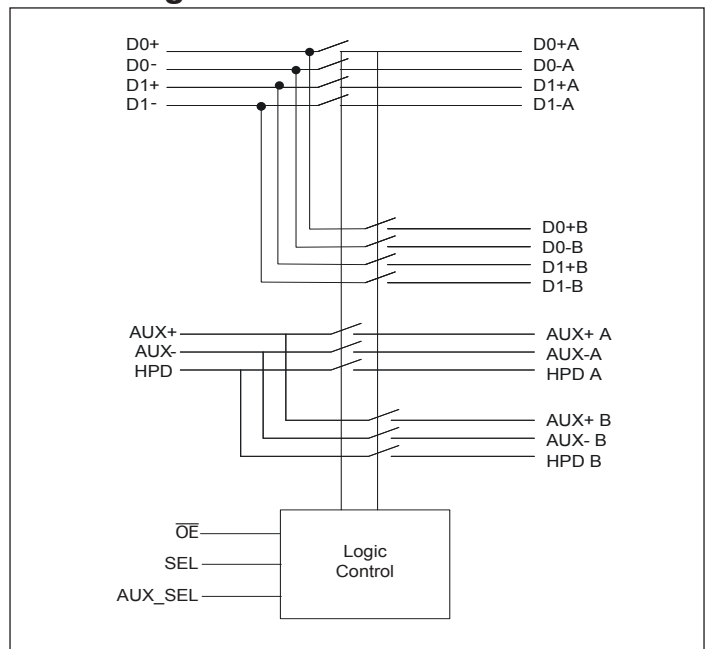
Diodes' PI3VDP3212 mux/demux is targeted for next generation digital video signals. This device can be used to connect a DisplayPort™ Source to two independent DisplayPort sinks or to connect two DisplayPort sources to a single DP display.

The newly released DisplayPort spec requires a data rate of 5.4Gbps. Diodes' solution is specifically designed around this standard and supports such signals.

Application

Routing of DisplayPort signals with low-signal attenuation between source and sink.

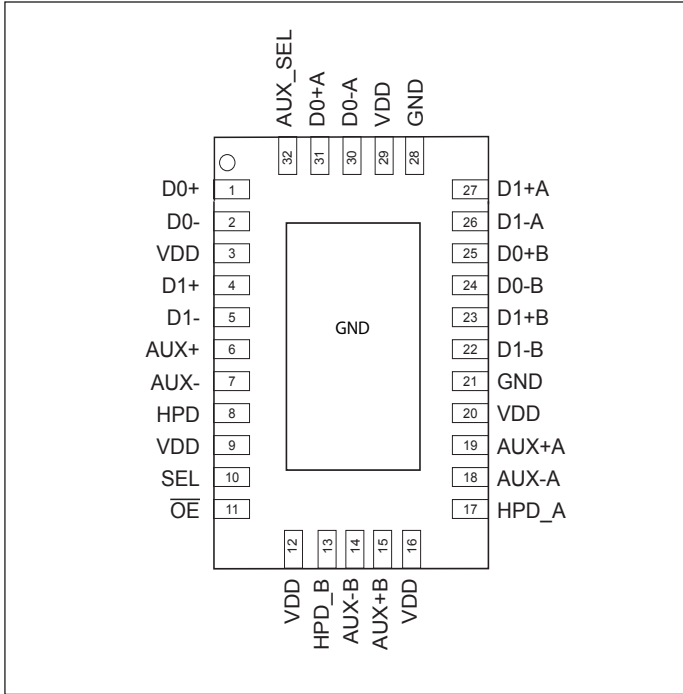
Block Diagram



Notes:

1. No purposely added lead. Fully EU Directive 2002/95/EC (RoHS), 2011/65/EU (RoHS 2) & 2015/863/EU (RoHS 3) compliant.
2. See <https://www.diodes.com/quality/lead-free/> for more information about Diodes Incorporated's definitions of Halogen- and Antimony-free, "Green" and Lead-free.
3. Halogen- and Antimony-free "Green" products are defined as those which contain <900ppm bromine, <900ppm chlorine (<1500ppm total Br + Cl) and <1000ppm antimony compounds.

Pin Assignment



Pin Description

Pin#	Pin Name	Type	Description
1	D0+	I/O	Positive differential signal 0 for COM port
2	D0-	I/O	Negative differential signal 0 for COM port
4	D1+	I/O	Positive differential signal 1 for COM port
5	D1-	I/O	Negative differential signal 1 for COM port
6	AUX+	I/O	Positive differential signal for AUX COM port
7	AUX-	I/O	Negative differential signal for AUX COM port
8	HPD	I/O	HPD for COM port
10	SEL	I	Switch logic control. If HIGH, path B is selected for high-speed channels only. If LOW, path A is selected for high-speed channels only.
11	OE	I	Output enable. If OE is low, IC is enabled. If OE is high, IC is powered down and all I/Os are hi-z.
13	HPD_B	I/O	HPD for port B
14	AUX-B	I/O	Negative differential signal for AUX, port B
15	AUX+B	I/O	Positive differential signal for AUX, port B
17	HPD_A	I/O	HPD for port A
18	AUX-A	I/O	Negative differential signal for AUX, port A
19	AUX+A	I/O	Positive differential signal for AUX, port A

Pin Description Cont.

Pin#	Pin Name	Type	Description
22	D1-B	I/O	Negative differential signal 1 for port B
23	D1+B	I/O	Positive differential signal 1 for port B
24	D0-B	I/O	Negative differential signal 0 for port B
25	D0+B	I/O	Positive differential signal 0 for port B
26	D1-A	I/O	Negative differential signal 1 for port A
27	D1+A	I/O	Positive differential signal 1 for port A
21, 28	GND	Ground	Ground
3, 9, 12, 16, 20, 29	VDD	Power	3.3V ±10% power supply
30	D0-A	I/O	Negative differential signal 0 for port A
31	D0+A	I/O	Positive differential signal 0 for port A
32	AUX_SEL	I	Switches only the AUX and HPD channels from port A vs. port B. If High, path B is selected. If LOW, path A is selected.

Maximum Ratings

(Above which useful life may be impaired. For user guidelines, not tested.)

Storage Temperature	-65°C to +150°C
Supply Voltage to Ground Potential	-0.5V to +4.2V
DC Input Voltage	-0.5V to V _{DD}
DC Output Current	120mA
Power Dissipation	0.5W

Note: Stresses greater than those listed under MAXIMUM RATINGS may cause permanent damage to the device. This is a stress rating only and functional operation of the device at these or any other conditions above those indicated in the operational sections of this specification is not implied. Exposure to absolute maximum rating conditions for extended periods may affect reliability.

DC Electrical Characteristics for Switching over Operating Range

(T_A = -40°C to +85°C, V_{DD} = 3.3V ±10%)

Parameter	Description	Test Conditions ⁽¹⁾	Min	Typ ⁽¹⁾	Max	Units
V _{IH}	Input HIGH Voltage	Guaranteed HIGH level	1.5	—	—	V
V _{IL}	Input LOW Voltage	Guaranteed LOW level	—	—	0.75	
V _{IK}	Clamp Diode Voltage, Dx	V _{DD} = Max., I _{IN} = -18mA	—	-1.6	-1.8	μA
I _{IH}	Input HIGH Current	V _{DD} = Max., V _{IN} = V _{DD}	—	—	±5	
I _{IL}	Input LOW Current	V _{DD} = Max., V _{IN} = GND	—	—	±5	
I _{OFF_SB}	I/O Leakage when Part is off for Sideband Signals Only (DDC, AUX, HPD)	V _{DD} = 0V, V _{INPUT} = 0V to 3.6V	—	—	20	Ω
R _{ON_HS}	On Resistance between Input to Output for High-Speed Signals	V _{DD} = 3.3V, V _{input} = 0V to 2V, I _{INPUT} = 20mA	—	10	—	
R _{ON_AUX}	On Resistance between Input to Output for Sideband Signals (AUX)	V _{DD} = 3.3V, V _{input} = 0 to 3.3V, I _{INPUT} = 20mA	—	7	—	
Aux _{ss}	Signal Swing Tolerance in Aux Path	V _{DD} = 3.0V	-0.5	—	3.6	V
HPD _I	Input Voltage Tolerance on HPD Path	—	—	—	5.5	V
HPD _O	Output Voltage on HPD Path	HPD input from 0V to 5.25V	—	—	3.6	V

Power Supply Characteristics (T_A = -40°C to +85°C)

Parameter	Description	Test Conditions ⁽¹⁾	Min	Typ ⁽¹⁾	Max	Units
I _{CC}	Quiescent Power Supply Current	V _{DD} = 3.3V, V _{IN} = GND or V _{DD}	—	320	500	μA

Dynamic Electrical Characteristics over Operating Range

($T_A = -40^{\circ}\text{C}$ to $+85^{\circ}\text{C}$, $V_{DD} = 3.3\text{V} \pm 10\%$)

Parameter	Description	Test Conditions	Typ.	Max	Units
X _{TALK}	Crosstalk on High-Speed Channels	See Figure 1 for Measurement Setup	f = 2.7GHz	-25dB	
			f = 1.35GHz	-32dB	
O _{IRR}	OFF Isolation on High-Speed Channels	See Figure 2 for Measurement Setup	f = 2.7GHz	-22dB	—
			f = 1.35GHz	-30dB	
I _{LOSS}	Differential Insertion Loss on High-Speed Channels	@ 5.4Gbps (see Figure 3)	-1.7	—	dB
R _{loss}	Differential Return Loss on High-Speed Channels	@ 2.7GHz	-16	—	dB
BW _{Dx±}	Bandwidth -3dB for Main High-Speed Path (Dx±)	See Figure 3	4.7	—	GHz
BW _{AUX/HPD}	-3dB BW for AUX and HPD Signals	See Figure 3	1.5	—	GHz
T _{sw a-b}	Switching Time from Port A to Port B	—	—	1	μs
T _{sw b-a}	Switching Time from Port B to Port A	—	—	1	μs
T _{startup}	V _{dd} Valid to Channel Enable	—	—	10	μs
T _{wakeup}	Enabling Output by Changing $\overline{\text{OE}}$ from Low to High	—	—	10	μs

Note:

1. For maximum or minimum conditions, use appropriate value specified under Electrical Characteristics for the applicable device type.
2. Typical values are at $V_{DD} = 3.3\text{V}$, $T_A = 25^{\circ}\text{C}$ ambient and maximum loading.

Switching Characteristics ($T_A = -40^{\circ}\text{C}$ to $+85^{\circ}\text{C}$, $V_{DD} = 3.3\text{V} \pm 10\%$)

Parameter	Description	Min.	Typ.	Max.	Units
T _{pd}	Propagation Delay (Input pin to Output pin)	—	80	—	ps
t _{b-b}	Bit-to-Bit Skew Within the Same Differential Pair	—	5	—	ps
t _{ch-ch}	Channel-to-Channel Skew	—	—	50	ps

PI3VDP3212

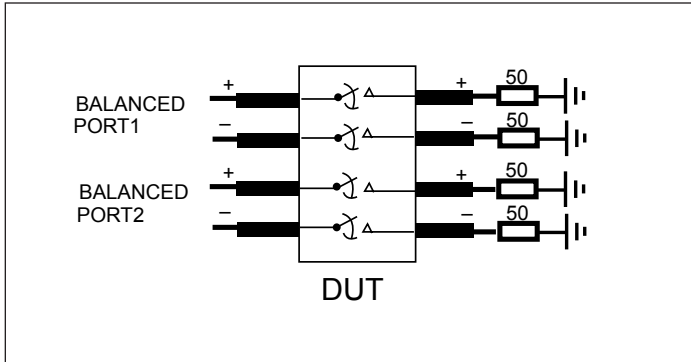


Fig 1. Crosstalk Setup

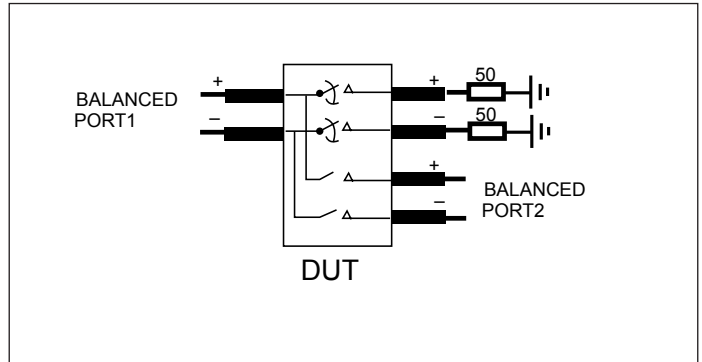


Fig 2. Off-Isolation Setup

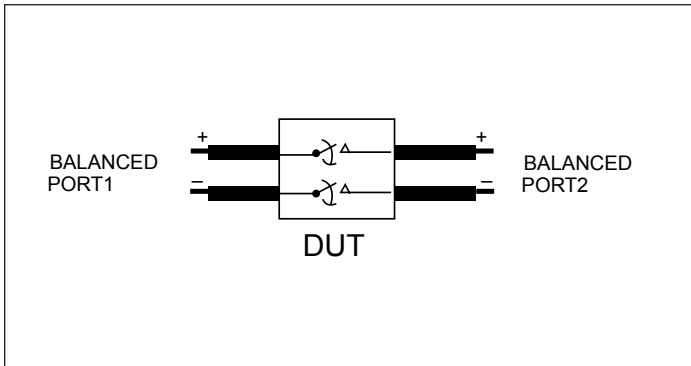


Fig 3. Differential Insertion Loss Setup

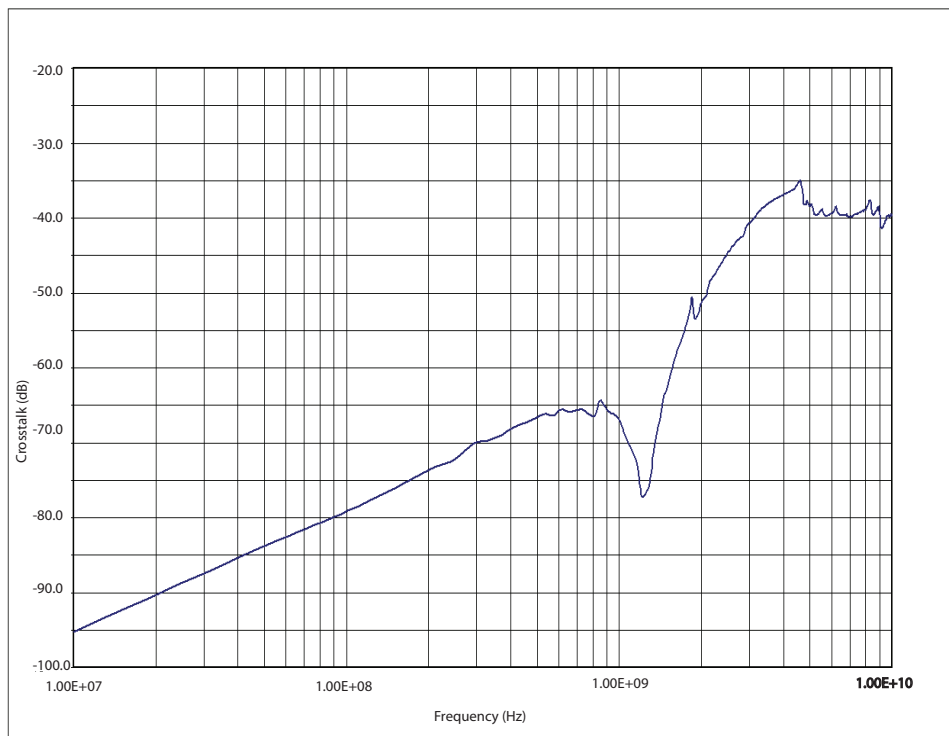


Fig 4. Xtalk for High-Speed Channels (D0 and D1)

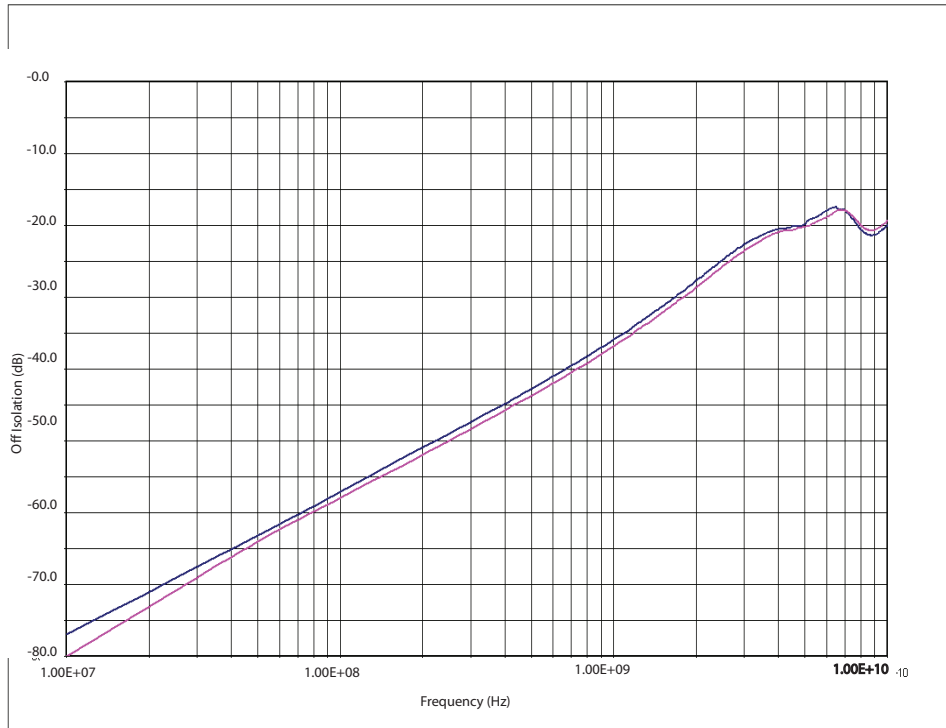


Fig 5. Off Isolation for High-Speed Channels (D0 and D1); Red is for Path B and Blue is for Path A

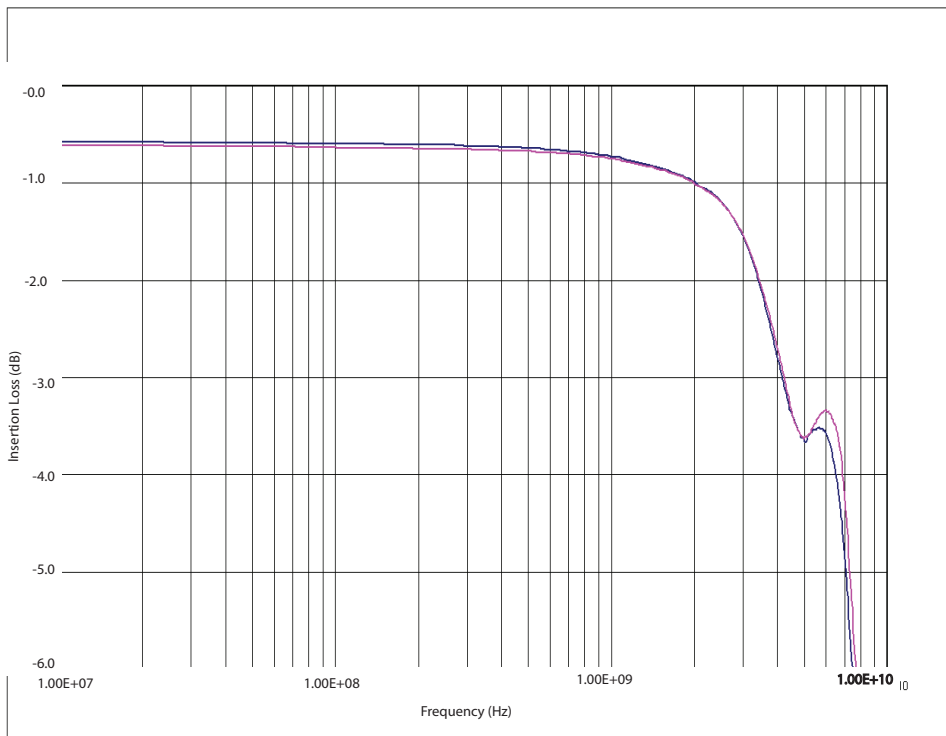
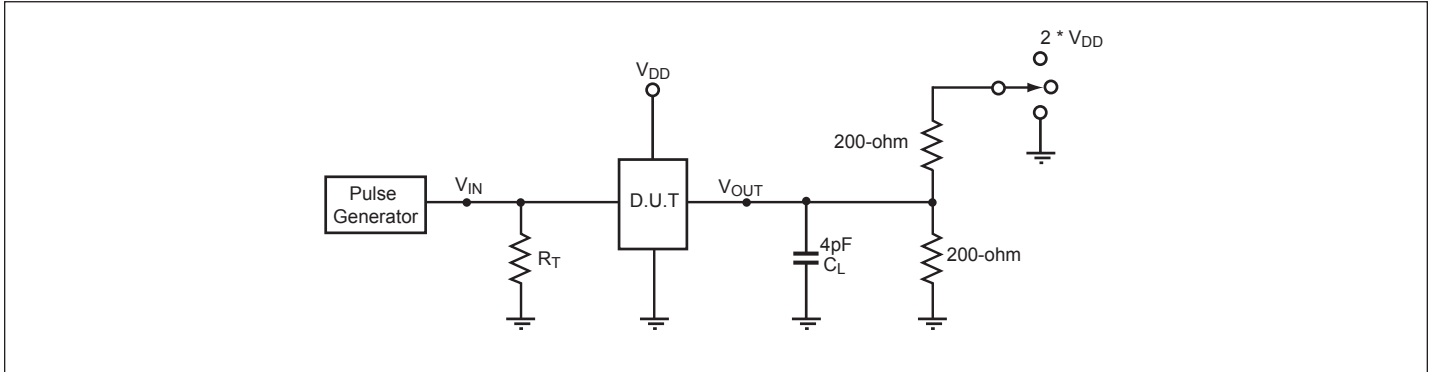


Fig 6. Insertion Loss for High-Speed Channels (D0 and D1); Red is for Path B and Blue is for Path A

PI3VDP3212

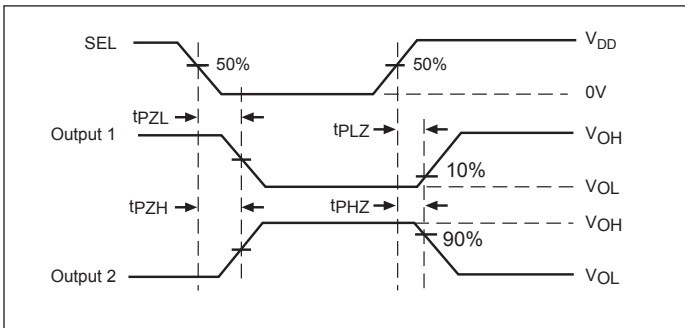
Test Circuit for Electrical Characteristics (1-5)



Notes:

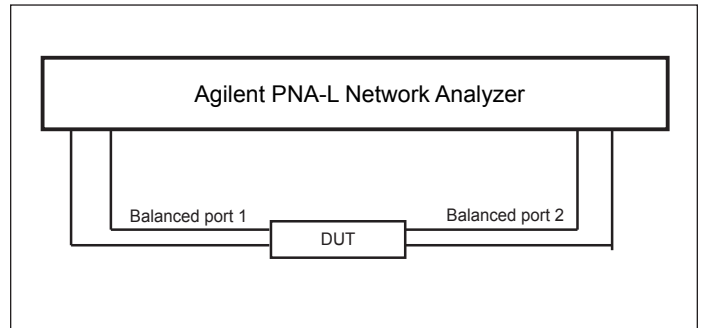
1. C_L = Load capacitance; includes jig and probe capacitance.
2. R_T = Termination resistance: should be equal to Z_{OUT} of the Pulse Generator.
3. Output 1 is for an output with internal conditions, so the output is low except when disabled by the output control.
4. Output 2 is for an output with internal conditions, so the output is high except when disabled by the output control.
5. All input impulses are supplied by generators having the following characteristics: $PRR \leq \text{MHz}$, $Z_O = 50\Omega$, $t_R \leq 2.5\text{ns}$, $t_F \leq 2.5\text{ns}$.
6. The outputs are measured one at a time with one transition per measurement.

Switching Waveforms



Voltage Waveforms Enable and Disable Times

Test Circuit for Dynamic Electrical Characteristics

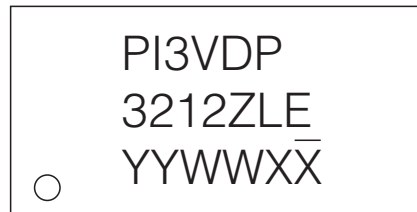


Switch Positions

Test	Switch
t_{PLZ} , t_{PZL} (Output on B-side)	$2 \times V_{DD}$
t_{PHZ} , t_{PZH} (Output on B-side)	GND
Prop Delay	Open

Part Marking

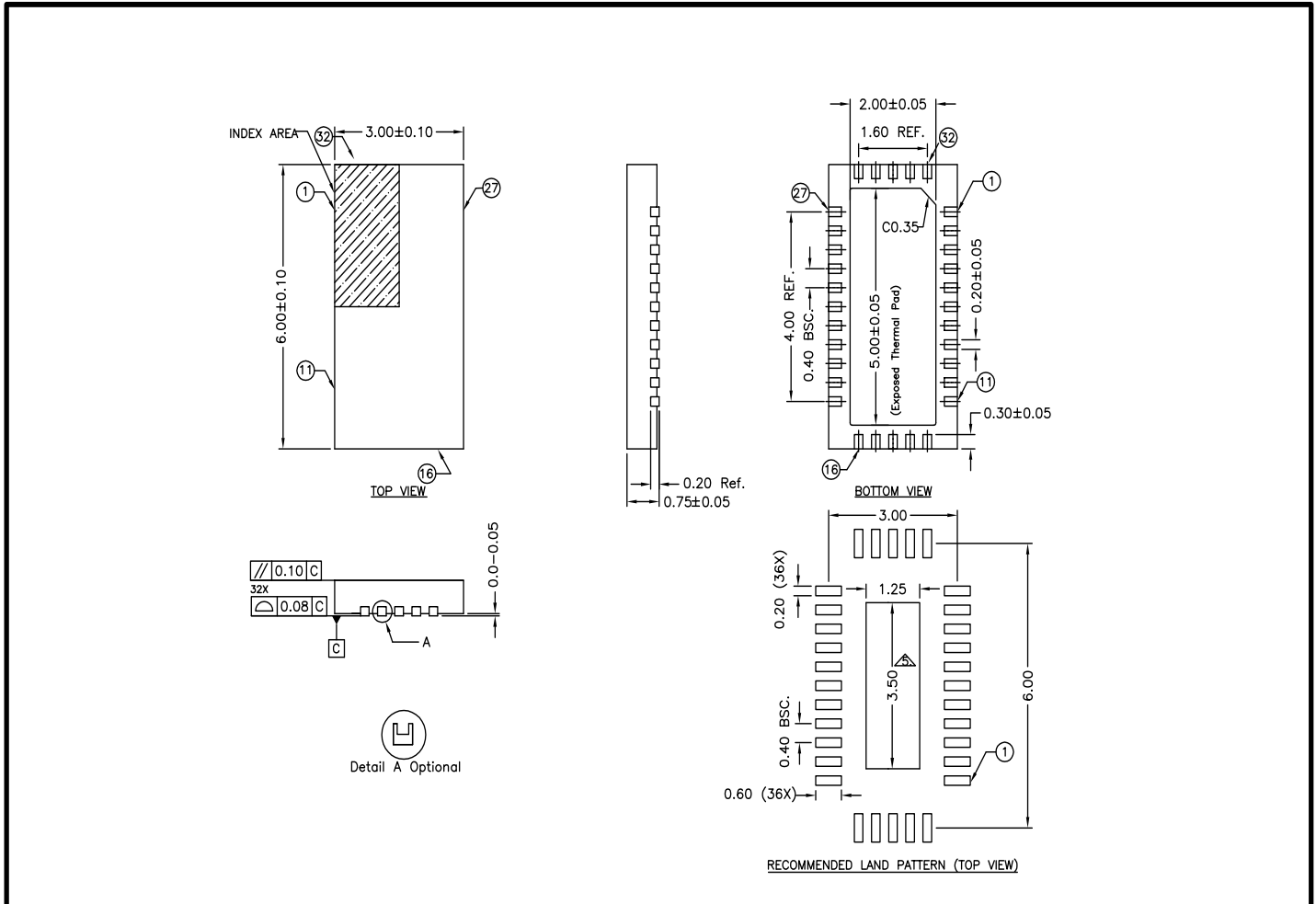
ZL Package



YY: Year
 WW: Workweek
 1st X: Assembly Code
 2nd X: Fab Code

PI3VDP3212

Packaging Mechanical: 32-TQFN (ZL)



- NOTE:**
1. ALL DIMENSIONS ARE IN mm. ANGLES IN DEGREES.
 2. COPLANARITY APPLIES TO THE EXPOSED THERMAL PAD AS WELL AS THE TERMINALS.
 3. REFER JEDEC MO-220
 4. RECOMMENDED LAND PATTERN IS FOR REFERENCE ONLY.
 5. THERMAL PAD SOLDERING AREA (MESH STENCIL DESIGN IS RECOMMENDED).

		DATE: 07/05/16
DESCRIPTION: 32-Contact, Very Thin Quad Flat No-Lead (TQFN)		
PACKAGE CODE: ZL (ZL32)		
DOCUMENT CONTROL #: PD-2044	REVISION: C	

16-0142

For latest package information:
See <http://www.diodes.com/design/support/packaging/pericom-packaging/packaging-mechanicals-and-thermal-characteristics/>.

Ordering Information

Ordering Code	Package Code	Package Description
PI3VDP3212ZLEX	ZL	32-Contact, Very-Thin Quad-Flat No-Lead (TQFN)

- Notes:**
1. No purposely added lead. Fully EU Directive 2002/95/EC (RoHS), 2011/65/EU (RoHS 2) & 2015/863/EU (RoHS 3) compliant.
 2. See <https://www.diodes.com/quality/lead-free/> for more information about Diodes Incorporated's definitions of Halogen- and Antimony-free, "Green" and Lead-free.
 3. Halogen- and Antimony-free "Green" products are defined as those which contain <900ppm bromine, <900ppm chlorine (<1500ppm total Br + Cl) and <1000ppm antimony compounds.
 4. E = Pb-free and Green
 5. X suffix = Tape/Reel

IMPORTANT NOTICE

DIODES INCORPORATED MAKES NO WARRANTY OF ANY KIND, EXPRESS OR IMPLIED, WITH REGARDS TO THIS DOCUMENT, INCLUDING, BUT NOT LIMITED TO, THE IMPLIED WARRANTIES OF MERCHANTABILITY AND FITNESS FOR A PARTICULAR PURPOSE (AND THEIR EQUIVALENTS UNDER THE LAWS OF ANY JURISDICTION).

Diodes Incorporated and its subsidiaries reserve the right to make modifications, enhancements, improvements, corrections or other changes without further notice to this document and any product described herein. Diodes Incorporated does not assume any liability arising out of the application or use of this document or any product described herein; neither does Diodes Incorporated convey any license under its patent or trademark rights, nor the rights of others. Any Customer or user of this document or products described herein in such applications shall assume all risks of such use and will agree to hold Diodes Incorporated and all the companies whose products are represented on Diodes Incorporated website, harmless against all damages.

Diodes Incorporated does not warrant or accept any liability whatsoever in respect of any products purchased through unauthorized sales channel.

Should Customers purchase or use Diodes Incorporated products for any unintended or unauthorized application, Customers shall indemnify and hold Diodes Incorporated and its representatives harmless against all claims, damages, expenses, and attorney fees arising out of, directly or indirectly, any claim of personal injury or death associated with such unintended or unauthorized application.

Products described herein may be covered by one or more United States, international or foreign patents pending. Product names and markings noted herein may also be covered by one or more United States, international or foreign trademarks.

This document is written in English but may be translated into multiple languages for reference. Only the English version of this document is the final and definitive format released by Diodes Incorporated.

LIFE SUPPORT

Diodes Incorporated products are specifically not authorized for use as critical components in life support devices or systems without the express written approval of the Chief Executive Officer of Diodes Incorporated. As used herein:

A. Life support devices or systems are devices or systems which:

1. are intended to implant into the body, or

2. support or sustain life and whose failure to perform when properly used in accordance with instructions for use provided in the labeling can be reasonably expected to result in significant injury to the user.

B. A critical component is any component in a life support device or system whose failure to perform can be reasonably expected to cause the failure of the life support device or to affect its safety or effectiveness.

Customers represent that they have all necessary expertise in the safety and regulatory ramifications of their life support devices or systems, and acknowledge and agree that they are solely responsible for all legal, regulatory and safety-related requirements concerning their products and any use of Diodes Incorporated products in such safety-critical, life support devices or systems, notwithstanding any devices- or systems-related information or support that may be provided by Diodes Incorporated. Further, Customers must fully indemnify Diodes Incorporated and its representatives against any damages arising out of the use of Diodes Incorporated products in such safety-critical, life support devices or systems.

Copyright © 2019, Diodes Incorporated

www.diodes.com

单击下面可查看定价，库存，交付和生命周期等信息

[>>Diodes Incorporated\(达达科技\(美台\)\)](#)