

**DUAL BIT DUAL POWER SUPPLY TRANSLATING
TRANSCEIVER WITH 3 STATE OUTPUTS**

Description

The 74LVCH2T45 is a dual-bit, dual-supply transceiver with tri-state outputs suitable for transmitting two logic bits across different voltage domains. The direction pin (DIR) and Port A, consisting of pins 1A and 2A, have logic levels in relation to $V_{CC}(A)$ while port B, consisting of pins 1B and 2B have logic levels related to $V_{CC}(B)$. This arrangement allows for universal low-voltage translation between any voltages from 1.2V to 5.5V. When a HIGH logic level is applied to the direction pin, port A pins become inputs and port B pins are outputs. Conversely, the roles of the ports are reversed when the direction pin is asserted LOW.

The tri-state (Ioff) feature places all port pins in a high impedance state when either power supply is at 0V, which prevents and damages backflow currents and provides power-down electrical isolation up to 5.5V as not to interfere with any logic activity on either of the ports.

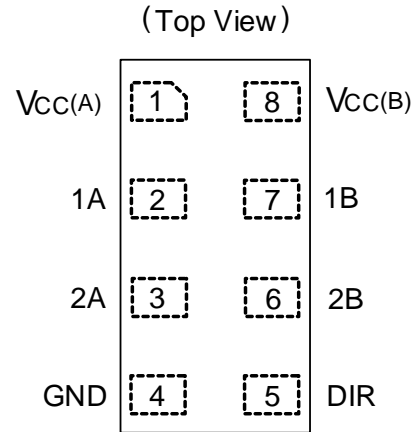
The 74LVCH2T45 is a variant of the 74LVC2T45 that includes a bus hold feature at each input. The bus hold feature maintains the previous logic level therefore a valid logic level is always present eliminating the need for additional resistors for unused or disconnected inputs.

Features

- Wide Supply Voltage Range:
 - $V_{CC}(A)$: from 1.2V to 5.5V
 - $V_{CC}(B)$: from 1.2V to 5.5V
- $\pm 24mA$ Output Drive at 3.3V
- CMOS Low Power Consumption 16 μA Maximum I_{CC}
- High Noise Immunity
- I_{OFF} Supports Partial-Power-Down Mode Operation
- I_{OFF} Controlled by Either V_{CC} Being at 0V
- Inputs Accept up to 5.5V
- Maximum data rates:
 - 420Mbps (3.3V to 5V translation)
 - 210Mbps (translate to 3.3V)
 - 140Mbps (translate to 2.5V)
 - 75Mbps (translate to 1.8V)
 - 60Mbps (translate to 1.5V)
- ESD Protection Exceeds JESD 22
 - 4000-V Human Body Model (A114)
 - 1000 V Charged Device Model (C101)
- Latch-up Exceeds 100mA per JESD 78, Class I
- Specified from -40°C to +85°C and -40°C to +125°C
- **Totally Lead-Free & Fully RoHS Compliant (Notes 1 & 2)**
- **Halogen and Antimony Free. "Green" Device (Note 3)**
- **For automotive applications requiring specific change control (i.e. parts qualified to AEC-Q100/101/200, PPAP capable, and manufactured in IATF 16949 certified facilities), please [contact us](mailto:contact@diodes.com) or your local Diodes representative. <https://www.diodes.com/quality/product-definitions/>**

Notes: 1. No purposely added lead. Fully EU Directive 2002/95/EC (RoHS), 2011/65/EU (RoHS 2) & 2015/863/EU (RoHS 3) compliant.
 2. See <https://www.diodes.com/quality/lead-free/> for more information about Diodes Incorporated's definitions of Halogen- and Antimony-free, "Green" and Lead-free.
 3. Halogen- and Antimony-free "Green" products are defined as those which contain <900ppm bromine, <900ppm chlorine (<1500ppm total Br + Cl) and <1000ppm antimony compounds.

Pin Assignments



X2-DFN1210-8
X2-DFN1410-8

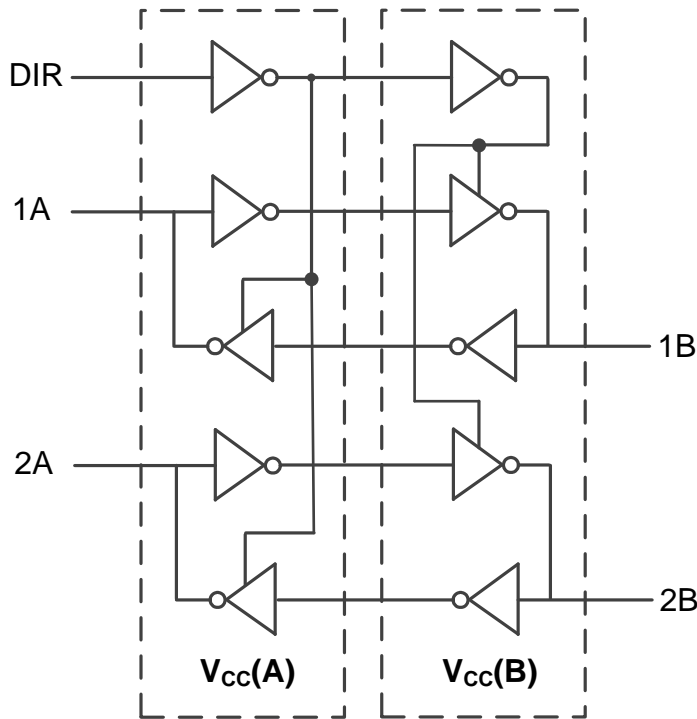
Applications

- Voltage Level Translation
Well-Suited to Join Logic Types Operating at Different Voltages
- Power-Down Signal Isolation
If Either Voltage Domain is Turned Off the Signal is Isolated and There is No Loading on Signal Lines
- Wide Array of Products, such as:
 - Cell Phones, Tablets, E-Readers
 - PCs, Notebooks, Netbooks, Ultrabooks
 - Networking, Routers, Gateways
 - Computer Peripherals, Hard Drives, CD/DVD ROM
 - TV, DVD, DVR, Set-Top Box
 - Personal Navigation / GPS
 - MP3 Players, Cameras, Video Recorders

Pin Descriptions

Pin Name	Pin	Function
VCC(A)	1	Supply for I/O Pin A; Reference for DIR
1A	2	Data Input/Output
2A	3	Data Input/Output
GND	4	Ground
DIR	5	Direction Control
2B	6	Data Input/Output
1B	7	Data Input/Output
VCC(B)	8	Supply for I/O Pin B

Logic Diagram



Function Tables

Input DIR (Direction Pin)	Operation
L	B Data to A Output
H	A Data to B Output

Inputs			Outputs	
A	B	DIR	A	B
Note 4	L	L	L	Note 4
Note 4	H	L	H	Note 4
L	Note 4	H	Note 4	L
H	Note 4	H	Note 4	H

Note: 4. Pin condition not applicable as defined by DIR.

Absolute Maximum Ratings (Note 5) (@T_A = +25°C, unless otherwise specified.)

Symbol	Parameter	Rating	Unit	
ESD HBM	Human Body Model ESD Protection	4	kV	
ESD CDM	Charged Device Model ESD Protection	1	kV	
V _{CC(A)} , V _{CC(B)}	Supply Voltage Range	-0.5 to +6.5	V	
V _I	Input Voltage Range	-0.5 to +6.5	V	
V _O	Voltage Applied to Output in High Impedance or I _{OFF} State	-0.5 to +6.5	V	
V _O	Voltage Applied to Output in High or Low State	A Pin	-0.3 to V _{CC(A)} +0.5	V
		B Pin	-0.3 to V _{CC(B)} +0.5	V
I _{IK}	Input Clamp Current V _I < 0	-50	mA	
I _{OK}	Output Clamp Current	-50	mA	
I _O	Continuous Output Current	±50	mA	
—	Continuous Current Through V _{CC} or GND	±100	mA	
T _J	Operating Junction Temperature	-40 to +150	°C	
T _{STG}	Storage Temperature	-65 to +150	°C	

Note: 5. Stresses beyond the absolute maximum can result in immediate failure or reduced reliability. These are stress values and device operation should be within recommend values.

Recommended Operating Conditions (Note 6) (@T_A = +25°C, unless otherwise specified.)

Symbol	Parameter	Conditions	Min	Max	Unit
V _{CC(A)}	Supply Voltage A	—	1.2	5.5	V
V _{CC(B)}	Supply Voltage B	—	1.2	5.5	V
V _I	Input Voltage	—	0	5.5	V
V _O	Output Voltage	Active Mode (Note 6)	0	V _{CCO}	V
		Suspend or 3-State Mode	0	5.5	V
T _A	Ambient Temperature	—	-40	+125	°C
Δt/ΔV	Input Transition Rise and Fall Rate	V _{CCI} = 1.2V (Note 7)	—	20	ns/V
		V _{CCI} = 1.4V to 1.95V	—	20	ns/V
		V _{CCI} = 2.3V to 2.7V	—	20	ns/V
		V _{CCI} = 3V to 3.6V	—	10	ns/V
		V _{CCI} = 4.5V to 5.5V	—	5	ns/V

Notes: 6. V_{CCO} is the supply voltage associated with the output port.

7. V_{CCI} is the supply voltage associated with the input port.

Electrical Characteristics (@T_A = +25°C.)

Symbol	Parameter	Conditions	Min	Typ	Max	Unit
V _{OH}	HIGH-Level Output Voltage	V _I = V _{IH} or V _{IL} ; I _O = -3mA; V _{CCO} = 1.2V	—	1.09	—	V
V _{OL}	LOW-Level Output Voltage	V _I = V _{IH} or V _{IL} ; I _O = 3 mA; V _{CCO} = 1.2V	—	0.07	—	V
I _I	Input Leakage Current	DIR Input; V _I = 0V to 5.5V; V _{CC1} = 1.2V to 5.5V	—	—	±1	μA
I _{BHL}	Bus Hold LOW Current	A or B Port; V _I = 0.42V; V _{CC1} = 1.2V	—	19	—	μA
I _{BHH}	Bus Hold HIGH Current	A or B Port; V _I = 0.78V; V _{CC1} = 1.2V	—	19	—	μA
I _{BHLO}	Bus Hold LOW Overdrive Current	A or B Port; V _{CC1} = 1.2V	—	19	—	μA
I _{BHHO}	Bus Hold HIGH Overdrive Current	A or B Port; V _{CC1} = 1.2V	—	19	—	μA
I _{OZ}	OFF-State Output Current	A or B Port; V _O = 0V or V _{CCO} ; V _{CCO} = 1.2V to 5.5V	—	—	±1	μA
I _{OFF}	Power-Off Leakage Current	A Port; V _I or V _O = 0V to 5.5V; V _{CC(A)} = 0V; V _{CC(B)} = 1.2V to 5.5V	—	—	±1	μA
		B Port; V _I or V _O = 0V to 5.5V; V _{CC(B)} = 0V; V _{CC(A)} = 1.2V to 5.5V	—	—	±1	μA
C _I	Input Capacitance	DIR Input; V _I = 0V or 3.3V; V _{CC(A)} = V _{CC(B)} = 3.3V	—	2.2	—	pF
C _{I/O}	Input/Output Capacitance	A and B Port; Suspend Mode; V _O = 3.3V or 0V; V _{CC(A)} = V _{CC(B)} = 3.3V	—	6.0	—	pF

Electrical Characteristics (continued) (@T_A = +25°C.)

Symbol	Parameter	Conditions	-40°C to +85°C		-40°C to +125°C		Unit
			Min	Max	Min	Max	
V _{IH}	HIGH-Level Input Voltage	Data Input					
		V _{CC1} = 1.2V	0.8V _{CC1}	—	0.8V _{CC1}	—	V
		V _{CC1} = 1.4V to 1.95V	0.65V _{CC1}	—	0.65V _{CC1}	—	V
		V _{CC1} = 2.3V to 2.7V	1.7	—	1.7	—	V
		V _{CC1} = 3.0V to 3.6V	2.0	—	2.0	—	V
		V _{CC1} = 4.5V to 5.5V	0.7V _{CC1}	—	0.7V _{CC1}	—	V
		DIR Input					
		V _{CC1} = 1.2V	0.8V _{CC(A)}	—	0.8V _{CC(A)}	—	V
		V _{CC1} = 1.4V to 1.95V	0.65V _{CC(A)}	—	0.65V _{CC(A)}	—	V
		V _{CC1} = 2.3V to 2.7V	1.7	—	1.7	—	V
		V _{CC1} = 3.0V to 3.6V	2.0	—	2.0	—	V
		V _{CC1} = 4.5V to 5.5V	0.7V _{CC(A)}	—	0.7V _{CC(A)}	—	V
V _{IL}	LOW-Level Input Voltage	Data Input					
		V _{CC1} = 1.2V	—	0.2V _{CC1}	—	0.2V _{CC1}	V
		V _{CC1} = 1.4V to 1.95V	—	0.35V _{CC1}	—	0.35V _{CC1}	V
		V _{CC1} = 2.3V to 2.7V	—	0.7	—	0.7	V
		V _{CC1} = 3.0V to 3.6V	—	0.8	—	0.8	V
		V _{CC1} = 4.5V to 5.5V	—	0.3V _{CC1}	—	0.3V _{CC1}	V

Electrical Characteristics (continued) (@T_A = +25°C.)

Symbol	Parameter	Conditions	-40°C to +85°C		-40°C to +125°C		Unit
			Min	Max	Min	Max	
V _{IL}	LOW-Level Input Voltage	DIR Input					
		V _{CCI} = 1.2V	—	0.2V _{CC(A)}	—	0.2V _{CC(A)}	V
		V _{CCI} = 1.4V to 1.95V	—	0.35V _{CC(A)}	—	0.35V _{CC(A)}	V
		V _{CCI} = 2.3V to 2.7V	—	0.7	—	0.7	V
		V _{CCI} = 3.0V to 3.6V	—	0.8	—	0.8	V
		V _{CCI} = 4.5V to 5.5V	—	0.3V _{CC(A)}	—	0.3V _{CC(A)}	V
V _{OH}	HIGH-Level Output Voltage	V _I = V _{IH}					
		I _O = -100μA V _{CCO} = 1.2V to 4.5V	V _{CCO} - 0.1	—	V _{CCO} - 0.1	—	V
		I _O = -6mA; V _{CCO} = 1.4V	1.0	—	1.0	—	V
		I _O = -8mA; V _{CCO} = 1.65V	1.2	—	1.2	—	V
		I _O = -12mA; V _{CCO} = 2.3V	1.9	—	1.9	—	V
		I _O = -24mA; V _{CCO} = 3.0V	2.4	—	2.4	—	V
		I _O = -32mA; V _{CCO} = 4.5V	3.8	—	3.8	—	V
V _{OL}	LOW-Level Output Voltage	V _I = V _{IL}					
		I _O = 100μA; V _{CCO} = 1.2V to 4.5V	—	0.1	—	0.1	V
		I _O = 6mA; V _{CCO} = 1.4V	—	0.3	—	0.3	V
		I _O = 8mA; V _{CCO} = 1.65V	—	0.45	—	0.45	V
		I _O = 12mA; V _{CCO} = 2.3V	—	0.3	—	0.3	V
		I _O = 24mA; V _{CCO} = 3.0V	—	0.55	—	0.55	V
		I _O = 32mA; V _{CCO} = 4.5V	—	0.55	—	0.55	V
I _I	Input Leakage Current	DIR Input; V _I = 0V to 5.5V; V _{CCI} = 1.2V to 5.5V	—	±2	—	±10	μA
I _{OZ}	OFF-State Output Current	A or B Port; V _O = 0V or V _{CCO} ; V _{CCO} = 1.2V to 5.5V	—	±2	—	±10	μA
I _{BHL}	Bus Hold LOW Current	A or B Port					
		V _I = 0.49V; V _{CCI} = 1.4V	15	—	10	—	μA
		V _I = 0.58V; V _{CCI} = 1.65V	25	—	20	—	μA
		V _I = 0.70V; V _{CCI} = 2.3V	45	—	45	—	μA
		V _I = 0.80V; V _{CCI} = 3.0V	100	—	80	—	μA
		V _I = 1.35V; V _{CCI} = 4.5V	100	—	100	—	μA
I _{BHH}	Bus Hold HIGH Current	A or B Port					
		V _I = 0.91V; V _{CCI} = 1.4V	-15	—	-10	—	μA
		V _I = 1.07V; V _{CCI} = 1.65V	-25	—	-20	—	μA
		V _I = 1.60V; V _{CCI} = 2.3V	-45	—	-45	—	μA
		V _I = 2.00V; V _{CCI} = 3.0V	-100	—	-80	—	μA
		V _I = 3.15V; V _{CCI} = 4.5V	-100	—	-100	—	μA

Electrical Characteristics (continued) (@T_A = +25°C.)

Symbol	Parameter	Conditions	-40°C to +85°C		-40°C to +125°C		Unit
			Min	Max	Min	Max	
I _{BHLO}	Bus Hold LOW Overdrive Current	A or B Port					
		V _{CCI} = 1.6V	125	—	125	—	μA
		V _{CCI} = 1.95V	200	—	200	—	μA
		V _{CCI} = 2.7V	300	—	300	—	μA
		V _{CCI} = 3.6V	500	—	500	—	μA
		V _{CCI} = 5.5V	900	—	900	—	μA
I _{BHHO}	Bus Hold HIGH Overdrive Current	A or B port					
		V _{CCI} = 1.6V	-125	—	-125	—	μA
		V _{CCI} = 1.95V	-200	—	-200	—	μA
		V _{CCI} = 2.7V	-300	—	-300	—	μA
		V _{CCI} = 3.6V	-500	—	-500	—	μA
		V _{CCI} = 5.5V	-900	—	-900	—	μA
I _{OFF}	Power-Off Leakage Current	A Port; V _I or V _O = 0V to 5.5V; V _{CC} (A) = 0V; V _{CC} (B) = 1.2V to 5.5V	—	±2	—	±10	μA
		B Port; V _I or V _O = 0V to 5.5V; V _{CC} (B) = 0V; V _{CC} (A) = 1.2V to 5.5V	—	±2	—	±10	μA
I _{CC}	Supply Current	A Port; V _I = 0V or V _{CCI} ; I _O = 0A	—	—	—	—	—
		V _{CC} (A), V _{CC} (B) = 1.2V to 5.5V	—	8	—	8	μA
		V _{CC} (A), V _{CC} (B) = 1.65V to 5.5V	—	3	—	3	μA
		V _{CC} (A) = 5.5V; V _{CC} (B) = 0V	—	2	—	2	μA
		V _{CC} (A) = 0V; V _{CC} (B) = 5.5V	-2	—	-2	—	μA
		B Port; V _I = 0V or V _{CCI} ; I _O = 0A	—	—	—	—	—
		V _{CC} (A), V _{CC} (B) = 1.2V to 5.5V	—	8	—	8	μA
		V _{CC} (A), V _{CC} (B) = 1.65V to 5.5V	—	3	—	3	μA
		V _{CC} (A) = 5.5V; V _{CC} (B) = 0V	-2	—	-2	—	μA
		V _{CC} (A) = 0V; V _{CC} (B) = 5.5V	—	2	—	2	μA
		A Plus B Port (I _{CC} (A) + I _{CC} (B)); I _O = 0A; V _I = 0V or V _{CCI}	—	—	—	—	—
		V _{CC} (A), V _{CC} (B) = 1.2V to 5.5V	—	16	—	16	μA
		V _{CC} (A), V _{CC} (B) = 1.65V to 5.5V	—	4	—	4	μA

Package Characteristics ($V_{CC} = 3.3V$, $T_A = +25^{\circ}C$, unless otherwise specified.)

Symbol	Parameter	Package	Test Conditions	Min	Typ	Max	Unit
Θ_{JA}	Thermal Resistance Junction-to-Ambient	X2-DFN1210-8	Note 8	—	295	—	$^{\circ}C/W$
		X2-DFN1410-8		—	133	—	
Θ_{JC}	Thermal Resistance Junction-to-Case	X2-DFN1210-8	Note 8	—	280	—	$^{\circ}C/W$
		X2-DFN1410-8		—	127	—	

Note: 8. Test condition for X2-DFN1210-8 and X2-DFN1410-8: Device mounted on FR-4 substrate PCB, 2oz copper with minimum recommended pad layout.

Switching Characteristics ($V_{CC(A)} = 1.2V$, $T_A = +25^{\circ}C$, see Figure 1)

Parameter	From (Input)	To (Output)	$V_{CC(B)} = 1.2V$	$V_{CC(B)} = 1.5V$	$V_{CC(B)} = 1.8V$	$V_{CC(B)} = 2.5V$	$V_{CC(B)} = 3.3V$	$V_{CC(B)} = 5V$	Unit
			Typ	Typ	Typ	Typ	Typ	Typ	
t_{pLH}	A	B	10.6	8.1	7.0	5.8	5.3	5.1	ns
	B	A	10.6	9.5	9.0	8.5	8.3	8.2	
t_{pHL}	A	B	10.1	7.1	6.0	5.3	5.2	5.4	ns
	B	A	10.1	8.6	8.1	7.8	7.6	7.6	
t_{pHZ}	DIR	A	9.4	9.4	9.4	9.4	9.4	9.4	ns
	DIR	B	12.0	9.4	9.0	7.8	8.4	7.9	
t_{pLZ}	DIR	A	7.1	7.1	7.1	7.1	7.1	7.1	ns
	DIR	B	9.5	7.8	7.7	6.9	7.6	7.0	
t_{pZH}	DIR	A	20.1	17.3	16.7	15.4	15.9	15.2	ns
	DIR	B	17.7	15.2	14.1	12.9	12.4	12.2	
t_{pZL}	DIR	A	22.1	18.0	17.1	15.6	16.0	15.5	ns
	DIR	B	19.5	16.5	15.4	14.7	14.6	14.8	

Switching Characteristics ($V_{CC}(B) = 1.2V$, $T_A = 25^\circ C$, see Figure 1)

Parameter	From (Input)	To (Output)	$V_{CC}(A) = 1.2V$	$V_{CC}(A) = 1.5V$	$V_{CC}(A) = 1.8V$	$V_{CC}(A) = 2.5V$	$V_{CC}(A) = 3.3V$	$V_{CC}(A) = 5V$	Unit
			Typ	Typ	Typ	Typ	Typ	Typ	
t_{pLH}	A	B	10.6	9.5	9.0	8.5	8.3	8.2	ns
	B	A	10.6	8.1	7.0	5.8	5.3	5.1	
t_{pHL}	A	B	10.1	8.6	8.1	7.8	7.6	7.6	ns
	B	A	10.1	7.1	6.0	5.3	5.2	5.4	
t_{pHZ}	DIR	A	9.4	6.5	5.7	4.1	4.1	3.0	ns
	DIR	B	12.0	6.1	5.4	4.6	4.3	4.0	
t_{pLZ}	DIR	A	7.1	4.9	4.5	3.2	3.4	2.5	ns
	DIR	B	9.5	7.3	6.6	5.9	5.7	5.6	
t_{pZH}	DIR	A	20.1	15.4	13.6	11.7	11.0	10.7	ns
	DIR	B	17.7	14.4	13.5	11.7	11.7	10.7	
t_{pZL}	DIR	A	22.1	13.2	11.4	9.9	9.5	9.4	ns
	DIR	B	19.5	15.1	13.8	11.9	11.7	10.6	

Switching Characteristics ($V_{CC}(A) = 1.5V \pm 0.1V$, $T_A = -40^\circ C$ to $+85^\circ C$, see Figure 1)

Parameter	From (Input)	To (Output)	$V_{CC}(B) = 1.5V \pm 0.1V$		$V_{CC}(B) = 1.8V \pm 0.15V$		$V_{CC}(B) = 2.5V \pm 0.2V$		$V_{CC}(B) = 3.3V \pm 0.3V$		$V_{CC}(B) = 5V \pm 0.5V$		Unit
			Min	Max	Min	Max	Min	Max	Min	Max	Min	Max	
t_{pLH}	A	B	2.8	21.3	2.4	17.6	2.0	13.5	1.7	11.8	1.6	10.5	ns
	B	A	2.8	21.3	2.6	19.1	2.3	14.9	2.3	12.4	2.2	12.0	
t_{pHL}	A	B	2.6	19.3	2.2	15.3	1.8	11.8	1.7	10.9	1.7	10.8	ns
	B	A	2.6	19.3	2.4	17.3	2.3	13.2	2.2	11.3	2.3	11.0	
t_{pHZ}	DIR	A	3.0	18.7	3.0	18.7	3.0	18.7	3.0	18.7	3.0	18.7	ns
	DIR	B	3.5	24.8	3.5	23.6	3.0	11.0	3.3	11.3	2.8	10.3	
t_{pLZ}	DIR	A	2.4	11.4	2.4	11.4	2.4	11.4	2.4	11.4	2.4	11.4	ns
	DIR	B	2.8	18.3	3.0	17.2	2.5	9.4	3.0	10.1	2.5	9.4	
t_{pZH}	DIR	A	—	39.6	—	36.3	—	24.3	—	22.5	—	21.4	ns
	DIR	B	—	32.7	—	29.0	—	24.9	—	23.2	—	21.9	
t_{pZL}	DIR	A	—	44.1	—	40.9	—	24.2	—	22.6	—	21.3	ns
	DIR	B	—	38.0	—	34.0	—	30.5	—	29.6	—	29.5	

Switching Characteristics (continued) ($V_{CC}(A) = 1.8V \pm 0.15V$, $T_A = -40^\circ C$ to $+85^\circ C$, see Figure 1)

Parameter	From (Input)	To (Output)	$V_{CC}(B) = 1.5V \pm 0.1V$		$V_{CC}(B) = 1.8V \pm 0.15V$		$V_{CC}(B) = 2.5V \pm 0.2V$		$V_{CC}(B) = 3.3V \pm 0.3V$		$V_{CC}(B) = 5V \pm 0.5V$		Unit
			Min	Max	Min	Max	Min	Max	Min	Max	Min	Max	
t_{pLH}	A	B	2.6	19.1	2.2	17.7	2.2	9.3	1.7	7.2	1.4	6.8	ns
	B	A	2.4	17.6	2.2	17.7	2.3	16.0	2.1	15.5	1.9	15.1	
t_{pHL}	A	B	2.4	17.3	2.0	14.3	1.6	8.5	1.8	7.1	1.7	7.0	ns
	B	A	2.2	15.3	2.0	14.3	2.1	12.9	2.0	12.6	1.8	12.2	
t_{pHZ}	DIR	A	2.9	17.1	2.9	17.1	2.9	17.1	2.9	17.1	2.9	17.1	ns
	DIR	B	3.2	24.1	3.2	21.9	2.7	11.5	3.0	10.3	2.5	8.2	
t_{pLZ}	DIR	A	2.4	10.5	2.4	10.5	2.4	10.5	2.4	10.5	2.4	10.5	ns
	DIR	B	2.5	17.6	2.6	16.0	2.2	9.2	2.7	8.4	2.4	7.1	
t_{pZH}	DIR	A	—	35.2	—	33.7	—	25.2	—	23.9	—	22.2	ns
	DIR	B	—	29.6	—	28.2	—	19.8	—	17.7	—	17.3	
t_{pZL}	DIR	A	—	39.4	—	36.2	—	24.4	—	22.9	—	20.4	ns
	DIR	B	—	34.4	—	31.4	—	25.6	—	24.2	—	24.1	

Switching Characteristics (continued) ($V_{CC}(A) = 2.5V \pm 0.2V$, $T_A = -40^\circ C$ to $+85^\circ C$, see Figure 1)

Parameter	From (Input)	To (Output)	$V_{CC}(B) = 1.5V \pm 0.1V$		$V_{CC}(B) = 1.8V \pm 0.15V$		$V_{CC}(B) = 2.5V \pm 0.2V$		$V_{CC}(B) = 3.3V \pm 0.3V$		$V_{CC}(B) = 5V \pm 0.5V$		Unit
			Min	Max	Min	Max	Min	Max	Min	Max	Min	Max	
t_{pLH}	A	B	2.3	17.9	2.3	16.0	1.5	8.5	1.3	6.2	1.1	4.8	ns
	B	A	2.0	13.5	2.2	9.3	1.5	8.5	1.4	8.0	1.0	7.5	
t_{pHL}	A	B	2.3	15.8	2.1	12.9	1.4	7.5	1.3	5.4	0.9	4.6	ns
	B	A	1.8	11.8	1.9	8.5	1.4	7.5	1.3	7.0	0.9	6.2	
t_{pHZ}	DIR	A	2.1	8.1	2.1	8.1	2.1	8.1	2.1	8.1	2.1	8.1	ns
	DIR	B	3.0	22.5	3.0	21.4	2.5	11.0	2.8	9.3	2.3	6.9	
t_{pLZ}	DIR	A	1.7	5.8	1.7	5.8	1.7	5.8	1.7	5.8	1.7	5.8	ns
	DIR	B	2.3	14.6	2.5	13.2	2.0	9.0	2.5	8.4	1.8	5.8	
t_{pZH}	DIR	A	—	28.1	—	22.5	—	17.5	—	16.4	—	13.3	ns
	DIR	B	—	23.7	—	21.8	—	14.3	—	12.0	—	10.6	
t_{pZL}	DIR	A	—	34.3	—	29.9	—	18.5	—	16.3	—	13.1	ns
	DIR	B	—	23.9	—	21.0	—	15.6	—	13.5	—	12.7	

Switching Characteristics (continued) ($V_{CC}(A) = 3.3V \pm 0.3V$, $T_A = -40^\circ C$ to $+85^\circ C$, see Figure 1)

Parameter	From (Input)	To (Output)	$V_{CC}(B) = 1.5V \pm 0.1V$		$V_{CC}(B) = 1.8V \pm 0.15V$		$V_{CC}(B) = 2.5V \pm 0.2V$		$V_{CC}(B) = 3.3V \pm 0.3V$		$V_{CC}(B) = 5V \pm 0.5V$		Unit
			Min	Max	Min	Max	Min	Max	Min	Max	Min	Max	
t_{pLH}	A	B	2.3	17.1	2.1	15.5	1.4	8.0	0.8	5.6	0.7	4.4	ns
	B	A	1.7	11.8	1.7	7.2	1.3	6.2	0.7	5.6	0.6	5.4	
t_{pHL}	A	B	2.2	15.6	2.0	12.6	1.3	7.0	0.8	5.0	0.7	4.0	ns
	B	A	1.7	10.9	1.8	7.1	1.3	5.4	0.8	5.0	0.7	4.5	
t_{pHZ}	DIR	A	2.3	7.3	2.3	7.3	2.3	7.3	2.3	7.3	2.7	7.3	ns
	DIR	B	2.9	18.0	2.9	16.5	2.3	10.1	2.7	8.6	2.2	6.3	
t_{pLZ}	DIR	A	2.0	5.6	2.0	5.6	2.0	5.6	2.0	5.6	2.0	5.6	ns
	DIR	B	2.3	13.6	2.4	12.5	1.9	7.8	2.3	7.1	1.7	4.9	
t_{pZH}	DIR	A	—	25.4	—	19.7	—	14.0	—	12.7	—	10.3	ns
	DIR	B	—	22.7	—	21.1	—	13.6	—	11.2	—	10.0	
t_{pZL}	DIR	A	—	28.9	—	23.6	—	15.5	—	13.6	—	10.8	ns
	DIR	B	—	22.9	—	19.9	—	14.3	—	12.3	—	11.3	

Switching Characteristics (continued) ($V_{CC}(A) = 5.0V \pm 0.5V$, $T_A = -40^\circ C$ to $+85^\circ C$, see Figure 1)

Parameter	From (Input)	To (Output)	$V_{CC}(B) = 1.5V \pm 0.1V$		$V_{CC}(B) = 1.8V \pm 0.15V$		$V_{CC}(B) = 2.5V \pm 0.2V$		$V_{CC}(B) = 3.3V \pm 0.3V$		$V_{CC}(B) = 5V \pm 0.5V$		Unit
			Min	Max	Min	Max	Min	Max	Min	Max	Min	Max	
t_{pLH}	A	B	2.2	16.6	1.9	15.1	1.0	7.5	0.7	5.4	0.5	3.9	ns
	B	A	1.6	10.5	1.4	6.8	1.0	4.8	0.7	4.4	0.5	3.9	
t_{pHL}	A	B	2.3	15.3	1.8	12.2	1.0	6.2	0.7	4.5	0.5	3.5	ns
	B	A	1.7	10.8	1.7	7.0	0.9	4.6	0.7	4.0	0.5	3.5	
t_{pHZ}	DIR	A	1.7	5.4	1.7	5.4	1.7	5.4	1.7	5.4	1.7	5.4	ns
	DIR	B	2.9	17.3	2.9	16.1	2.3	9.7	2.7	8.0	2.5	5.7	
t_{pLZ}	DIR	A	1.4	3.7	1.4	3.7	1.3	3.7	1.0	3.7	0.9	3.7	ns
	DIR	B	2.3	13.1	2.4	12.1	1.9	7.4	2.3	7.0	1.8	4.5	
t_{pZH}	DIR	A	—	23.6	—	18.9	—	12.2	—	11.4	—	8.4	ns
	DIR	B	—	20.3	—	18.8	—	11.2	—	9.1	—	7.6	
t_{pZL}	DIR	A	—	28.1	—	23.1	—	14.3	—	12.0	—	9.2	ns
	DIR	B	—	20.7	—	17.6	—	11.6	—	9.9	—	8.9	

Switching Characteristics (continued) ($V_{CC(A)} = 1.5V \pm 0.1V$, $T_A = -40^\circ C$ to $+125^\circ C$, see Figure 1)

Parameter	From (Input)	To (Output)	$V_{CC(B)} = 1.5V \pm 0.1V$		$V_{CC(B)} = 1.8V \pm 0.15V$		$V_{CC(B)} = 2.5V \pm 0.2V$		$V_{CC(B)} = 3.3V \pm 0.3V$		$V_{CC(B)} = 5V \pm 0.5V$		Unit
			Min	Max	Min	Max	Min	Max	Min	Max	Min	Max	
t_{pLH}	A	B	2.5	23.5	2.1	19.4	1.8	14.9	1.5	13.0	1.4	11.6	ns
	B	A	2.5	23.5	2.3	21.1	2.0	16.4	2.0	13.7	1.9	13.2	
t_{pHL}	A	B	2.3	21.3	1.9	16.9	1.6	13.0	1.5	12.0	1.5	11.9	ns
	B	A	2.3	21.3	2.1	19.1	2.0	14.6	1.9	12.5	2.0	12.1	
t_{pHZ}	DIR	A	2.7	20.6	2.7	20.6	2.7	20.6	2.7	20.6	2.7	20.6	ns
	DIR	B	3.1	27.3	3.1	26.0	2.7	12.1	2.9	12.5	2.5	11.4	
t_{pLZ}	DIR	A	2.1	12.6	2.1	12.6	2.1	12.6	2.1	12.6	2.1	12.6	ns
	DIR	B	2.5	20.2	2.7	19.0	2.2	10.4	2.7	11.2	2.2	10.4	
t_{pZH}	DIR	A	—	43.7	—	40.1	—	26.8	—	24.9	—	23.6	ns
	DIR	B	—	36.1	—	32.0	—	27.5	—	25.6	—	24.2	
t_{pZL}	DIR	A	—	48.6	—	45.1	—	26.7	—	25.0	—	23.5	ns
	DIR	B	—	41.9	—	37.5	—	33.6	—	32.6	—	32.5	

Switching Characteristics (continued) ($V_{CC(A)} = 1.8V \pm 0.15V$, $T_A = -40^\circ C$ to $+125^\circ C$, see Figure 1)

Parameter	From (Input)	To (Output)	$V_{CC(B)} = 1.5V \pm 0.1V$		$V_{CC(B)} = 1.8V \pm 0.15V$		$V_{CC(B)} = 2.5V \pm 0.2V$		$V_{CC(B)} = 3.3V \pm 0.3V$		$V_{CC(B)} = 5V \pm 0.5V$		Unit
			Min	Max	Min	Max	Min	Max	Min	Max	Min	Max	
t_{pLH}	A	B	2.3	21.1	1.9	19.5	1.9	10.3	1.5	8.0	1.2	7.5	ns
	B	A	2.1	19.4	1.9	19.5	2.0	17.6	1.8	17.1	1.7	16.7	
t_{pHL}	A	B	2.1	19.1	1.8	15.8	1.4	9.4	1.6	7.9	1.5	7.7	ns
	B	A	1.9	16.9	1.8	15.8	1.8	14.2	1.8	13.9	1.6	13.5	
t_{pHZ}	DIR	A	2.6	18.9	2.6	18.9	2.6	18.9	2.6	18.9	2.6	18.9	ns
	DIR	B	2.8	26.6	2.8	24.1	2.4	12.7	2.7	11.4	2.2	9.1	
t_{pLZ}	DIR	A	2.1	11.6	2.1	11.6	2.1	11.6	2.1	11.6	2.1	11.6	ns
	DIR	B	2.2	19.4	2.3	17.6	1.9	10.2	2.4	9.3	2.1	7.9	
t_{pZH}	DIR	A	—	38.8	—	37.1	—	27.8	—	26.4	—	24.6	ns
	DIR	B	—	32.7	—	31.1	—	21.9	—	19.6	—	19.1	
t_{pZL}	DIR	A	—	43.5	—	39.9	—	26.9	—	25.3	—	22.6	ns
	DIR	B	—	38.0	—	34.7	—	28.3	—	26.8	—	26.6	

Switching Characteristics (continued) ($V_{CC(A)} = 2.5V \pm 0.2V$, $T_A = -40^\circ C$ to $+125^\circ C$, see Figure 1)

Parameter	From (Input)	To (Output)	$V_{CC(B)} = 1.5V \pm 0.1V$		$V_{CC(B)} = 1.8V \pm 0.15V$		$V_{CC(B)} = 2.5V \pm 0.2V$		$V_{CC(B)} = 3.3V \pm 0.3V$		$V_{CC(B)} = 5V \pm 0.5V$		Unit
			Min	Max	Min	Max	Min	Max	Min	Max	Min	Max	
t_{pLH}	A	B	2.0	19.7	2.0	17.6	1.3	9.4	1.1	6.9	0.9	5.3	ns
	B	A	1.8	14.9	1.9	10.3	1.3	9.4	1.2	8.8	0.9	8.3	
t_{pHL}	A	B	2.0	17.4	1.8	14.2	1.2	8.3	1.1	6.0	0.8	5.1	ns
	B	A	1.6	13.0	1.7	9.4	1.2	8.3	1.1	7.7	0.8	6.9	
t_{pHZ}	DIR	A	1.8	9.0	1.8	9.0	1.8	9.0	1.8	9.0	1.8	9.0	ns
	DIR	B	2.7	24.8	2.7	23.6	2.2	12.1	2.5	10.3	2.0	7.6	
t_{pLZ}	DIR	A	1.5	6.4	1.5	6.4	1.5	6.4	1.5	6.4	1.5	6.4	ns
	DIR	B	2.0	16.1	2.2	14.6	1.8	9.9	2.2	9.3	1.6	6.4	
t_{pZH}	DIR	A	—	31.0	—	24.9	—	19.3	—	18.1	—	14.7	ns
	DIR	B	—	26.1	—	24.0	—	15.8	—	13.3	—	11.7	
t_{pZL}	DIR	A	—	37.8	—	33.0	—	20.4	—	18.0	—	14.5	ns
	DIR	B	—	26.4	—	23.2	—	17.3	—	15.0	—	14.1	

Switching Characteristics (continued) ($V_{CC}(A) = 3.3V \pm 0.3V$, $T_A = -40^\circ C$ to $+125^\circ C$, see Figure 1)

Parameter	From (Input)	To (Output)	$V_{CC}(B) = 1.5V \pm 0.1V$		$V_{CC}(B) = 1.8V \pm 0.15V$		$V_{CC}(B) = 2.5V \pm 0.2V$		$V_{CC}(B) = 3.3V \pm 0.3V$		$V_{CC}(B) = 5V \pm 0.5V$		Unit
			Min	Max	Min	Max	Min	Max	Min	Max	Min	Max	
t_{pLH}	A	B	2.0	18.9	1.8	17.1	1.2	8.8	0.7	6.2	0.6	4.9	ns
	B	A	1.5	13.0	1.5	8.0	1.1	6.9	0.6	6.2	0.5	6.0	
t_{pHL}	A	B	1.9	17.2	1.8	13.9	1.1	7.7	0.7	5.5	0.6	4.4	ns
	B	A	1.5	12.0	1.6	7.9	1.1	6.0	0.7	5.5	0.6	5.0	
t_{pHZ}	DIR	A	2.0	8.1	2.0	8.1	2.0	8.1	2.0	8.1	2.4	8.1	ns
	DIR	B	2.6	19.8	2.6	18.2	2.0	11.2	2.4	9.5	1.9	7.0	
t_{pLZ}	DIR	A	1.8	6.2	1.8	6.2	1.8	6.2	1.8	6.2	1.8	6.2	ns
	DIR	B	2.0	15.0	2.1	13.8	1.7	8.6	2.0	7.9	1.5	5.4	
t_{pZH}	DIR	A	—	28.0	—	21.8	—	15.5	—	14.1	—	11.4	ns
	DIR	B	—	25.1	—	23.3	—	15.0	—	12.4	—	11.1	
t_{pZL}	DIR	A	—	31.8	—	26.1	—	17.2	—	15.0	—	12.0	ns
	DIR	B	—	25.3	—	22.0	—	15.8	—	13.6	—	12.5	

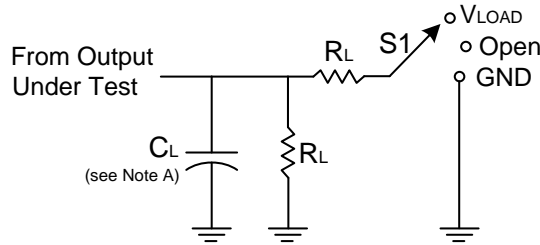
Switching Characteristics (continued) ($V_{CC}(A) = 5.0V \pm 0.5V$, $T_A = -40^\circ C$ to $+125^\circ C$, see Figure 1)

Parameter	From (Input)	To (Output)	$V_{CC}(B) = 1.5V \pm 0.1V$		$V_{CC}(B) = 1.8V \pm 0.15V$		$V_{CC}(B) = 2.5V \pm 0.2V$		$V_{CC}(B) = 3.3V \pm 0.3V$		$V_{CC}(B) = 5V \pm 0.5V$		Unit
			Min	Max	Min	Max	Min	Max	Min	Max	Min	Max	
t_{pLH}	A	B	1.9	18.3	1.7	16.7	0.9	8.3	0.6	6.0	0.4	4.3	ns
	B	A	1.4	11.6	1.2	7.5	0.9	5.3	0.6	4.9	0.4	4.3	
t_{pHL}	A	B	2.0	16.9	1.6	13.5	0.9	6.9	0.6	5.0	0.4	3.9	ns
	B	A	1.5	11.9	1.5	7.7	0.8	5.1	0.6	4.4	0.4	3.9	
t_{pHZ}	DIR	A	1.5	6.0	1.5	6.0	1.5	6.0	1.5	6.0	1.5	6.0	ns
	DIR	B	2.6	19.1	2.6	17.8	2.0	10.7	2.4	8.8	2.2	6.3	
t_{pLZ}	DIR	A	1.2	4.1	1.2	4.1	1.1	4.1	0.9	4.1	0.8	4.1	ns
	DIR	B	2.0	14.5	2.1	13.4	1.7	8.2	2.0	7.7	1.6	5.0	
t_{pZH}	DIR	A	—	26.1	—	20.9	—	13.5	—	12.6	—	9.3	ns
	DIR	B	—	22.4	—	20.8	—	12.4	—	10.1	—	8.4	
t_{pZL}	DIR	A	—	31.0	—	25.5	—	15.8	—	13.2	—	10.2	ns
	DIR	B	—	22.9	—	19.5	—	12.9	—	11.0	—	9.9	

Operating Characteristics ($T_A = +25^\circ C$, unless otherwise specified.)

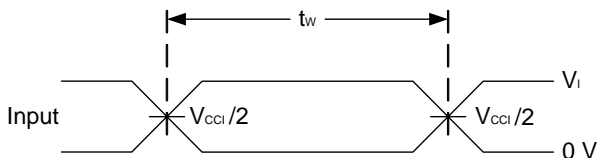
Parameter		Test Conditions	$V_{CC}(A) = V_{CC}(B) = 1.8V$	$V_{CC}(A) = V_{CC}(B) = 2.5V$	$V_{CC}(A) = V_{CC}(B) = 3.3V$	$V_{CC}(A) = V_{CC}(B) = 5V$	Unit
Power Dissipation Capacitance			Typ	Typ	Typ	Typ	
$C_{pd}(A)$	A- Input, B- Output	$C_L = 0pF$ $f = 10MHz$ $t_R = t_F = 1ns$	3	4	4	4	pF
	B- Input, A- Output		18	19	20	21	
$C_{pd}(B)$	A- Input, B- Output	$C_L = 0pF$ $f = 10MHz$ $t_R = t_F = 1ns$	18	19	20	21	pF
	B- Input, A- Output		3	4	4	4	

Parameter Measurement Information

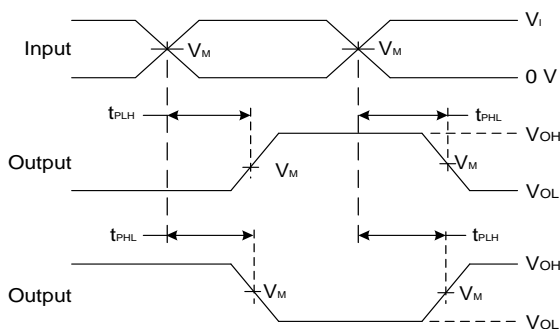


TEST	S1
tPLH/tPHL	Open
tPLZ/tPZL	Vload
tPHZ/tPZH	GND

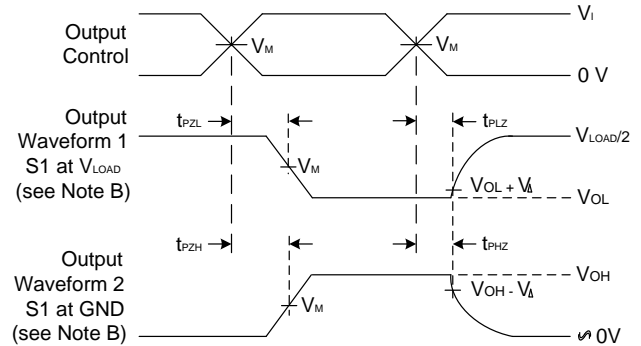
Vcc	Inputs		VM	VLOAD	CL	RL	VΔ
	Vi	tr/tf					
1.8V±0.15V	VCCI	≤2ns	VCCO/2	2 X VCCO	15pF	2KΩ	0.15V
2.5V±0.2V	VCC	≤2ns	VCCO/2	2 X VCCO	15pF	2KΩ	0.15V
3.3V±0.3V	3V	≤2.5ns	VCCO/2	2 X VCCO	15pF	2KΩ	0.3V
5V±0.5V	VCC	≤2.5ns	VCCO/2	2 X VCCO	15pF	2KΩ	0.3V



Voltage Waveform Pulse Duration



**Voltage Waveform Propagation Delay Times
Inverting and Non Inverting Outputs**

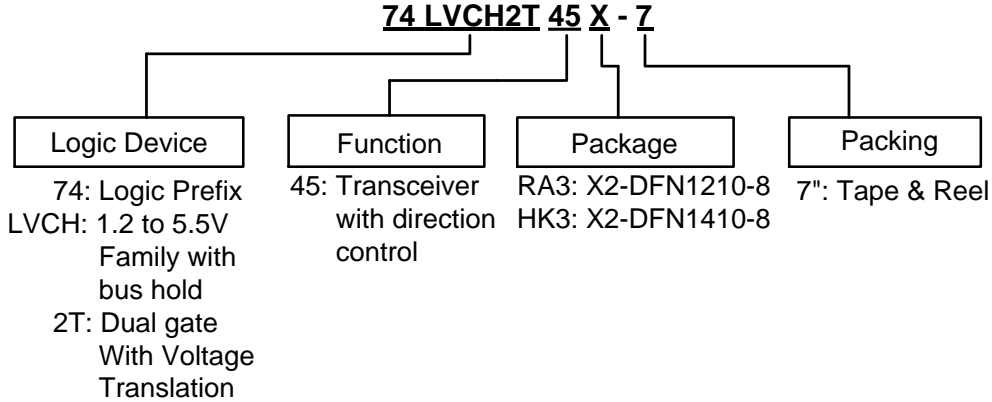


**Voltage Waveform Enable and Disable Times
Low and High Level Enabling**

Figure 1 Load Circuit and Voltage Waveforms

- Notes:
- Includes test lead and test apparatus capacitance.
 - Waveform 1 is for an output with input set up as a low and device coming out or into 3-state via DIR control. Waveform 2 is for an output with input set up as a high and device coming out or into 3-state via DIR control.
 - All pulses are supplied at pulse repetition rate ≤ 10 MHz.
 - tPLZ and tPHZ are the same as tdis.
 - tPZL and tPZH are the same as tEN.
 - tPLH and tPHL are the same as tPD.
 - VCCI is the VCC associated with the input.
 - VCCO is the VCC associated with the output.

Ordering Information



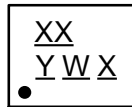
Part Number	Package Code	Packaging	7" Tape and Reel (Note 7)	
			Quantity	Part Number Suffix
74LVCH2T45RA3-7	RA3	X2-DFN1210-8	5000/Tape & Reel	-7
74LVCH2T45HK3-7	HK3	X2-DFN1410-8	5000/Tape & Reel	-7

Note: 17. The taping orientation is located on our website at <http://www.diodes.com/package-outlines.html>.

Marking Information

(1) X2-DFN1210-8

(Top View)

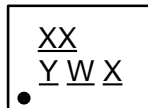


XX : Identification Code
Y : Year : 0~9
W : Week : A~Z : 1~26 week;
 a~z : 27~52 week; z represents 52 and 53 week
X : Internal Code

Part Number	Package	Identification Code
74LVCH2T45RA3-7	X2-DFN1210-8	4C

(2) X2-DFN1410-8

(Top View)



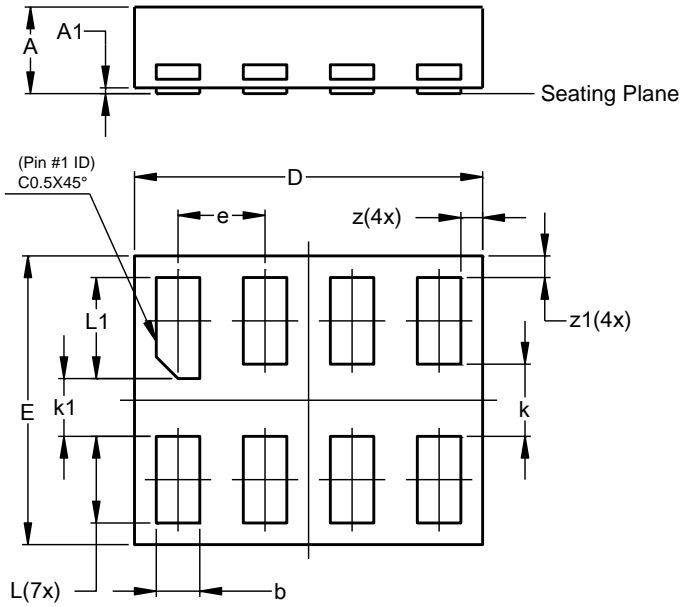
XX : Identification Code
Y : Year : 0~9
W : Week : A~Z : 1~26 week;
 a~z : 27~52 week; z represents 52 and 53 week
X : Internal Code

Part Number	Package	Identification Code
74LVCH2T45HK3-7	X2-DFN1410-8	4D

Package Outline Dimensions

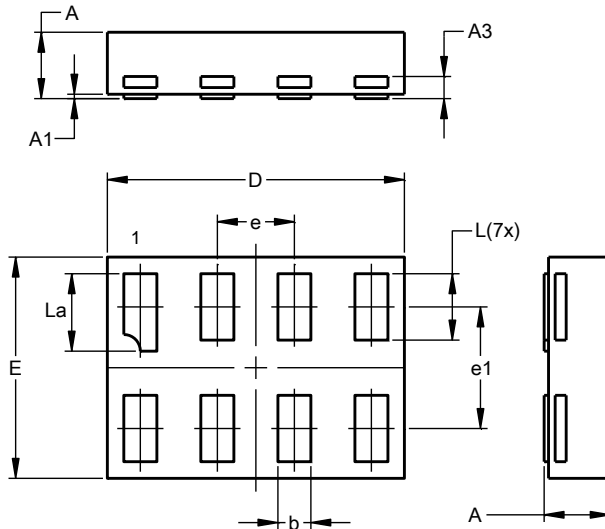
Please see <http://www.diodes.com/package-outlines.html> for the latest version.

X2-DFN1210-8



X2-DFN1210-8			
Dim	Min	Max	Typ
A	-	0.35	0.30
A1	0	0.03	0.02
b	0.10	0.20	0.15
D	1.15	1.25	1.20
E	0.95	1.05	1.00
e	-	-	0.30
k	-	-	0.25
k1	-	-	0.20
L	0.25	0.35	0.30
L1	0.30	0.40	0.35
z	0.050	0.100	0.075
z1	0.050	0.100	0.075
All Dimensions in mm			

X2-DFN1410-8

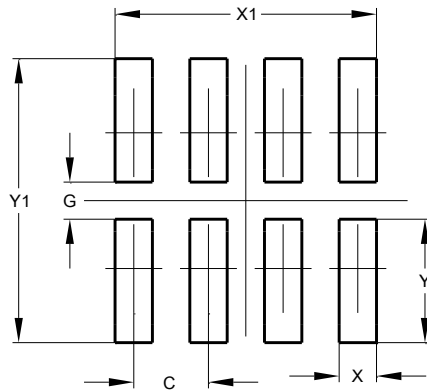


X2-DFN1410-8			
Dim	Min	Max	Typ
A	0.30	0.35	0.33
A1	0.00	0.03	0.02
A3	--	--	0.10
b	0.12	0.20	0.15
D	1.30	1.40	1.35
E	0.95	1.05	1.00
e	--	--	0.35
e1	--	--	0.55
L	0.27	0.35	0.30
L1	0.32	0.40	0.35
All Dimensions in mm			

Suggested Pad Layout

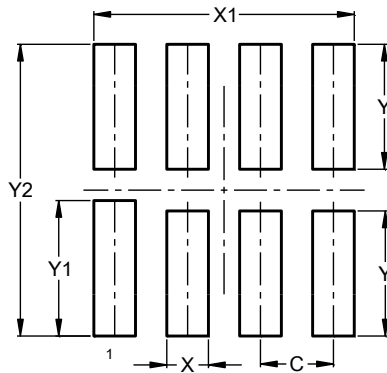
Please see <http://www.diodes.com/package-outlines.html> for the latest version.

X2-DFN1210-8



Dimensions	Value (in mm)
C	0.300
G	0.150
X	0.150
X1	1.050
Y	0.500
Y1	1.150

X2-DFN1410-8



Dimensions	Value (in mm)
C	0.350
X	0.200
X1	1.250
Y	0.600
Y1	0.650
Y2	1.400

Mechanical Data

X2-DFN1210-8

- Moisture Sensitivity: Level 1 per J-STD-020
- Terminals: Finish - NiPdAu Nickel Palladium Gold, Solderable per MIL-STD-202, Method 208@4
- Weight: 0.002 grams (Approximate)

X2-DFN1410-8

- Moisture Sensitivity: Level 1 per J-STD-020
- Terminals: Finish - NiPdAu Nickel Palladium Gold, Solderable per MIL-STD-202, Method 208@4
- Weight: 0.002 grams (Approximate)

IMPORTANT NOTICE

1. DIODES INCORPORATED AND ITS SUBSIDIARIES ("DIODES") MAKE NO WARRANTY OF ANY KIND, EXPRESS OR IMPLIED, WITH REGARDS TO ANY INFORMATION CONTAINED IN THIS DOCUMENT, INCLUDING, BUT NOT LIMITED TO, THE IMPLIED WARRANTIES OF MERCHANTABILITY, FITNESS FOR A PARTICULAR PURPOSE OR NON-INFRINGEMENT OF THIRD PARTY INTELLECTUAL PROPERTY RIGHTS (AND THEIR EQUIVALENTS UNDER THE LAWS OF ANY JURISDICTION).
2. The Information contained herein is for informational purpose only and is provided only to illustrate the operation of Diodes products described herein and application examples. Diodes does not assume any liability arising out of the application or use of this document or any product described herein. This document is intended for skilled and technically trained engineering customers and users who design with Diodes products. Diodes products may be used to facilitate safety-related applications; however, in all instances customers and users are responsible for (a) selecting the appropriate Diodes products for their applications, (b) evaluating the suitability of the Diodes products for their intended applications, (c) ensuring their applications, which incorporate Diodes products, comply the applicable legal and regulatory requirements as well as safety and functional-safety related standards, and (d) ensuring they design with appropriate safeguards (including testing, validation, quality control techniques, redundancy, malfunction prevention, and appropriate treatment for aging degradation) to minimize the risks associated with their applications.
3. Diodes assumes no liability for any application-related information, support, assistance or feedback that may be provided by Diodes from time to time. Any customer or user of this document or products described herein will assume all risks and liabilities associated with such use, and will hold Diodes and all companies whose products are represented herein or on Diodes' websites, harmless against all damages and liabilities.
4. Products described herein may be covered by one or more United States, international or foreign patents and pending patent applications. Product names and markings noted herein may also be covered by one or more United States, international or foreign trademarks and trademark applications. Diodes does not convey any license under any of its intellectual property rights or the rights of any third parties (including third parties whose products and services may be described in this document or on Diodes' website) under this document.
5. Diodes products are provided subject to Diodes' Standard Terms and Conditions of Sale (<https://www.diodes.com/about/company/terms-and-conditions/terms-and-conditions-of-sales/>) or other applicable terms. This document does not alter or expand the applicable warranties provided by Diodes. Diodes does not warrant or accept any liability whatsoever in respect of any products purchased through unauthorized sales channel.
6. Diodes products and technology may not be used for or incorporated into any products or systems whose manufacture, use or sale is prohibited under any applicable laws and regulations. Should customers or users use Diodes products in contravention of any applicable laws or regulations, or for any unintended or unauthorized application, customers and users will (a) be solely responsible for any damages, losses or penalties arising in connection therewith or as a result thereof, and (b) indemnify and hold Diodes and its representatives and agents harmless against any and all claims, damages, expenses, and attorney fees arising out of, directly or indirectly, any claim relating to any noncompliance with the applicable laws and regulations, as well as any unintended or unauthorized application.
7. While efforts have been made to ensure the information contained in this document is accurate, complete and current, it may contain technical inaccuracies, omissions and typographical errors. Diodes does not warrant that information contained in this document is error-free and Diodes is under no obligation to update or otherwise correct this information. Notwithstanding the foregoing, Diodes reserves the right to make modifications, enhancements, improvements, corrections or other changes without further notice to this document and any product described herein. This document is written in English but may be translated into multiple languages for reference. Only the English version of this document is the final and determinative format released by Diodes.
8. Any unauthorized copying, modification, distribution, transmission, display or other use of this document (or any portion hereof) is prohibited. Diodes assumes no responsibility for any losses incurred by the customers or users or any third parties arising from any such unauthorized use.

Copyright © 2021 Diodes Incorporated

www.diodes.com

单击下面可查看定价，库存，交付和生命周期等信息

[>>Diodes Incorporated\(达达科技\(美台\)\)](#)