

Description and Applications

The DML1010FDK is a single channel load switch with very low on-resistance in a small package. It contains an N-channel MOSFET for up to $V_{BIAS}-1.5V$ input voltage operation and 6A current channel with 3.2V to 5.5V bias supply. The load switch is controlled by a low voltage control signal through ON pin.

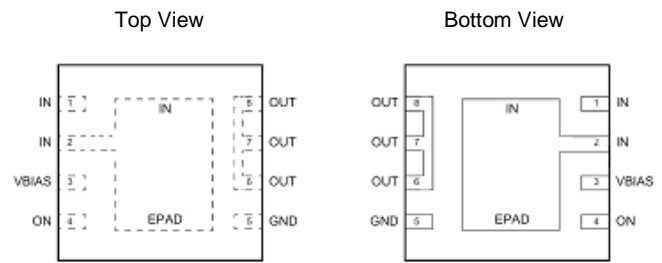
Features and Benefits

- Low $R_{DS(ON)}$ —Ensures On State Losses Are Minimized
- 0.8V to $V_{BIAS}-1.5V$ Input Voltage Range
- 6A Continuous Current
- Low $R_{DS(ON)}$ Internal NFETs
8m Ω at $V_{BIAS} = 5V$, $V_{IN} = 1.05V$, $T_A = +85^\circ C$
- 35 μA Low Quiescent Current
- 10 μs Turn On Rise Time
- 3.2V to 5.5V Bias Voltage
- Integrated Quick Output Discharge Resistor
- Moisture Sensitivity: Level 1 per J-STD-020
- **Totally Lead-Free & Fully RoHS Compliant (Notes 1 & 2)**
- **Halogen and Antimony Free. "Green" Device (Note 3)**

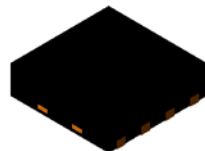
Applications

- Portable Electronics and Systems
- Notebook and Tablet Computers
- Telecom, Networking, Medical, and Industrial Equipment
- Set-Top Boxes, Servers, and Gateways
- SSD

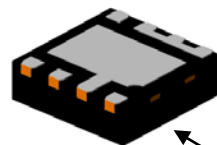
Pin Assignments



U-DFN2020-8 (Type K)



Top View



Bottom View

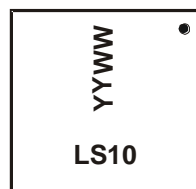
Ordering Information (Note 4)

Part Number	Case	Packaging
DML1010FDK-7	U-DFN2020-8 (Type K)	3000/Tape & Reel

- Notes:
1. No purposely added lead. Fully EU Directive 2002/95/EC (RoHS), 2011/65/EU (RoHS 2) & 2015/863/EU (RoHS 3) compliant.
 2. See <https://www.diodes.com/quality/lead-free/> for more information about Diodes Incorporated's definitions of Halogen- and Antimony-free, "Green" and Lead-free.
 3. Halogen- and Antimony-free "Green" products are defined as those which contain <900ppm bromine, <900ppm chlorine (<1500ppm total Br + Cl) and <1000ppm antimony compounds.
 4. For packaging details, go to our website at <http://www.diodes.com/products/packages.html>.

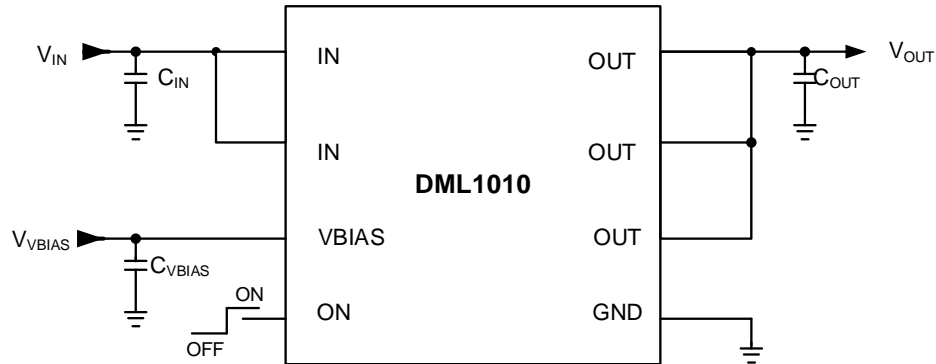
Marking Information

U-DFN2020-8 (Type K)



LS10 = Product Type Marking Code
 YYWW = Date Code Marking
 YY = Last Two Digits of Year (ex: 19 = 2019)
 WW = Week Code (01 to 53)

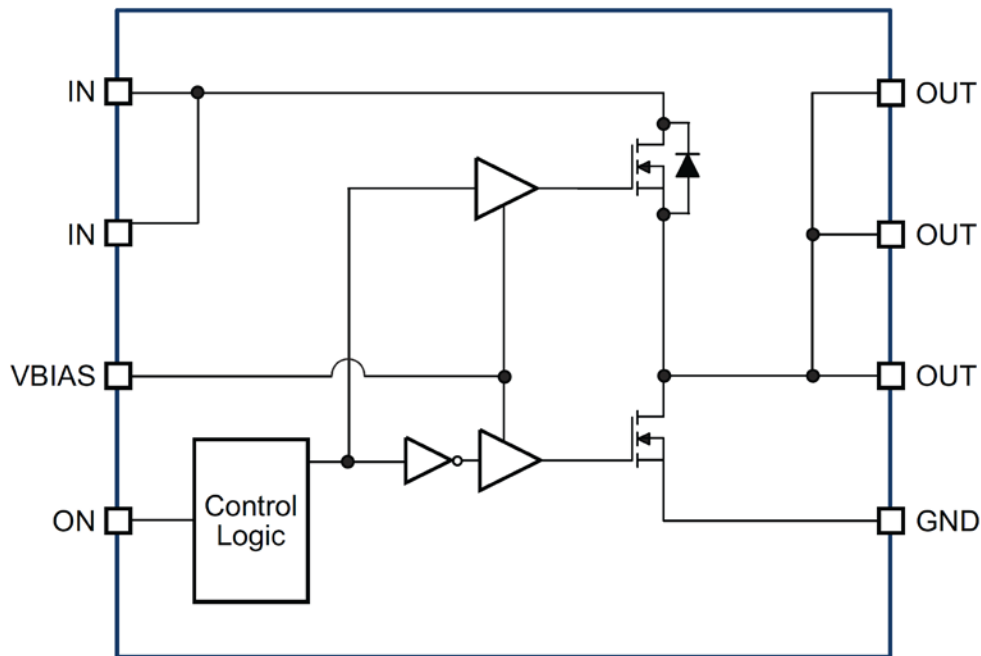
Typical Application Circuit



Pin Description

Pin Number	Pin Name	Pin Function
1, 2, EPAD	IN	Load Switch Input. Bypass capacitor is recommended to minimize input voltage dip.
3	VBIAS	Bias Voltage. Power supply input for the device.
4	ON	Enable Input. Load switch is on when ON is pulled high. Load switch is off when ON is pulled low. Do not leave floating.
5	GND	Ground.
6, 7, 8	OUT	Load switch output.

Function Block Diagram



Absolute Maximum Rating

Parameter	Rating
IN, ON, VBIAS, OUT to GND	-0.3V to 6V
Junction Temperature (T _j)	+150°C
I _{MAX}	12A
Storage Temperature (T _s)	-65°C to +150°C
ESD Rating HBM/CDM	2kV/1kV

Recommended Operating Ranges

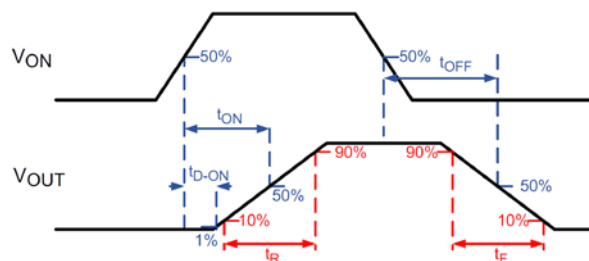
Parameter	Rating
Supply Voltage (V _{VBIAS})	3.2V to 5.5V
Input Voltage (V _{IN})	0.8V to V _B BIAS-1.5V
Ambient Temperature (T _A)	-40°C to +85°C
Package Thermal Resistance (Θ _{JC})	8°C/W
Package Thermal Resistance (Θ _{JA})	60°C/W

Electrical Characteristics (T_A = +25°C, V_{VBIAS}=5V, V_{IN}=1.05V, unless otherwise specified.)

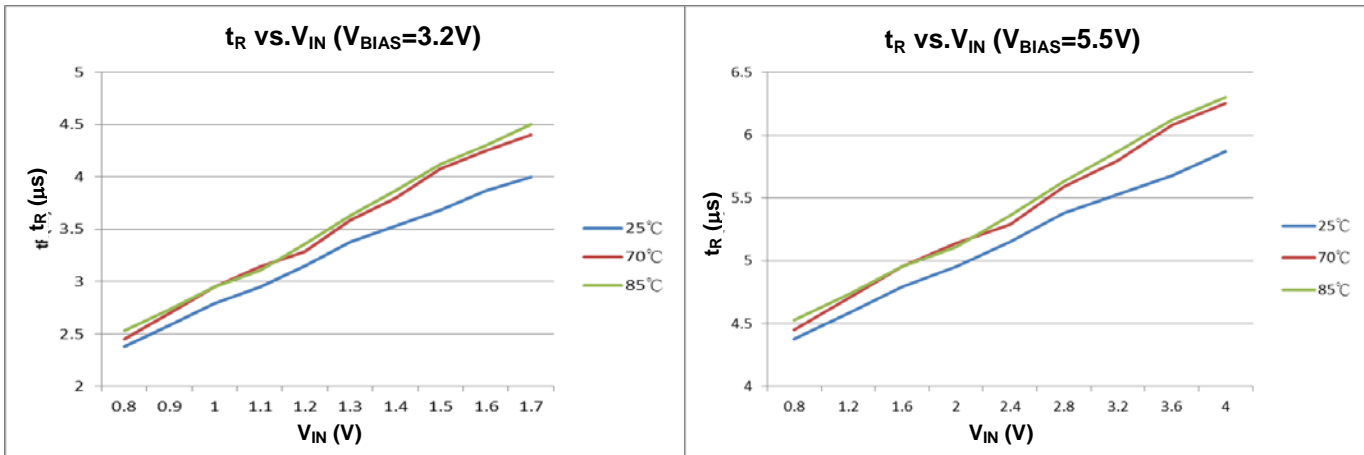
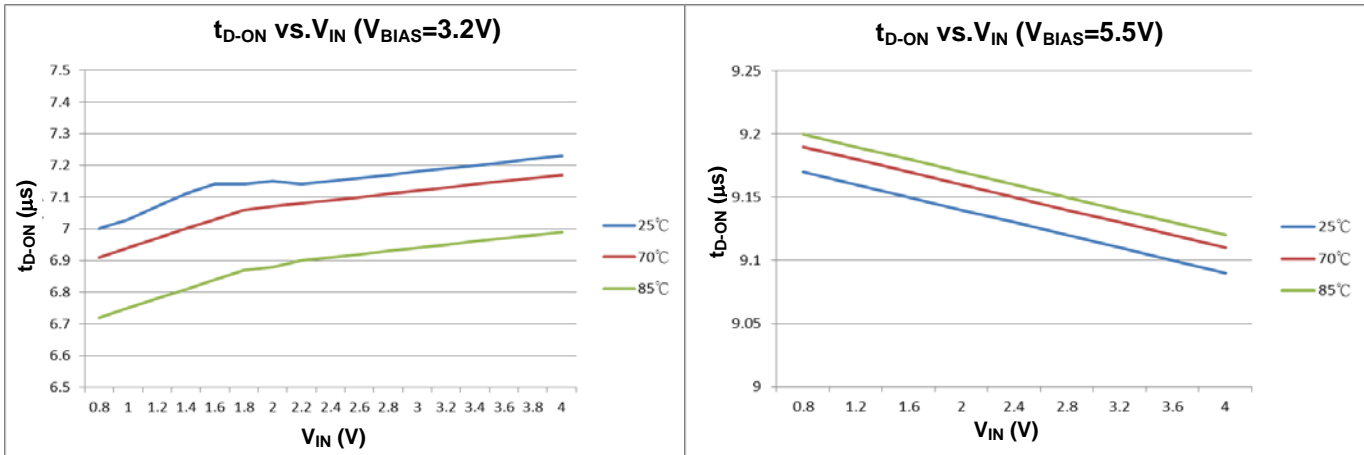
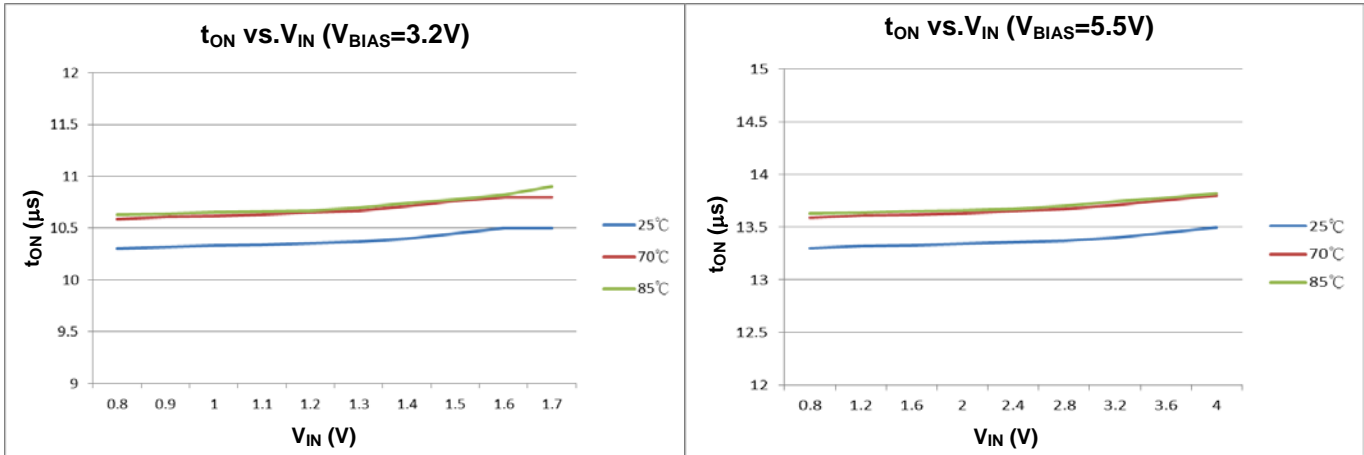
Symbol	Parameter	Conditions	Min	Typ	Max	Unit
V _{IN}	IN Supply Voltage	V _{ON} = 5V	0.8	1.05	V _B BIAS-1.5	V
V _{VBIAS}	VBIAS Supply Voltage	—	3.2	5	5.5	V
I _D	Maximum Continuous Current	V _{ON} = 5V	—	6	—	A
I _{PLS}	Maximum Pulsed Switch Current	V _{IN} = V _{ON} = 5V Pulse < 300μs, 2% Duty Cycle	—	9	—	A
I _Q	Quiescent Supply Current of VBIAS	I _{OUT} = 0V, V _{ON} = 5V	—	35	—	μA
I _{OFF}	VBIAS Shutdown Supply Current	V _{ON} = 0V, V _{OUT} = 0V	—	—	2	μA
I _{INOFF}	IN Shutdown Supply Current	V _{ON} = 0V, V _{OUT} = 0V	—	—	2	μA
I _{ON}	ON Leakage Current	V _{ON} = 5V	—	—	1	μA
V _{ONH}	ON High Level Voltage	—	1.2	—	—	V
V _{ONL}	ON Low Level Voltage	—	—	—	0.5	V
Switching ON Resistance						
R _{ON}	Switch ON-State Resistance	I _{OUT} = -200mA, V _{ON} = 5V, V _{VBIAS} = 5V	—	—	8	mΩ
		I _{OUT} = -200mA, V _{ON} = 5V, V _{VBIAS} = 3.3V	—	—	10	mΩ
R _{PD}	Output Pull-Down Resistance	I _{OUT} = 15mA, V _{ON} = 0V	—	—	200	Ω

Switching Electrical Characteristics (T_A = +25°C, V_{VBIAS}=V_{ON}=5V, V_{IN}=1.05V, C_{IN}=1μF, C_{OUT}=0.1μF, unless otherwise specified.)

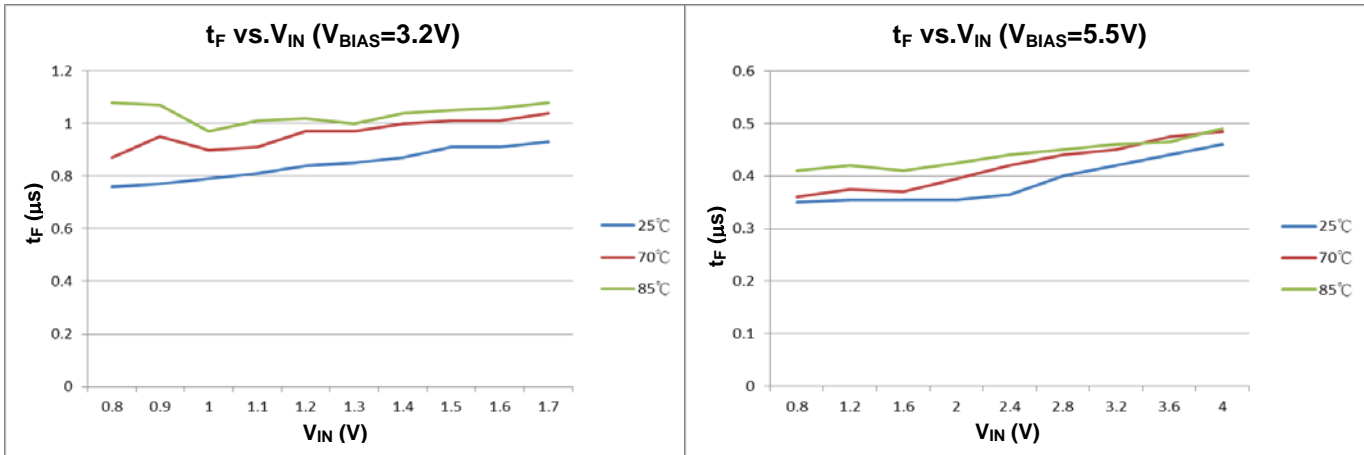
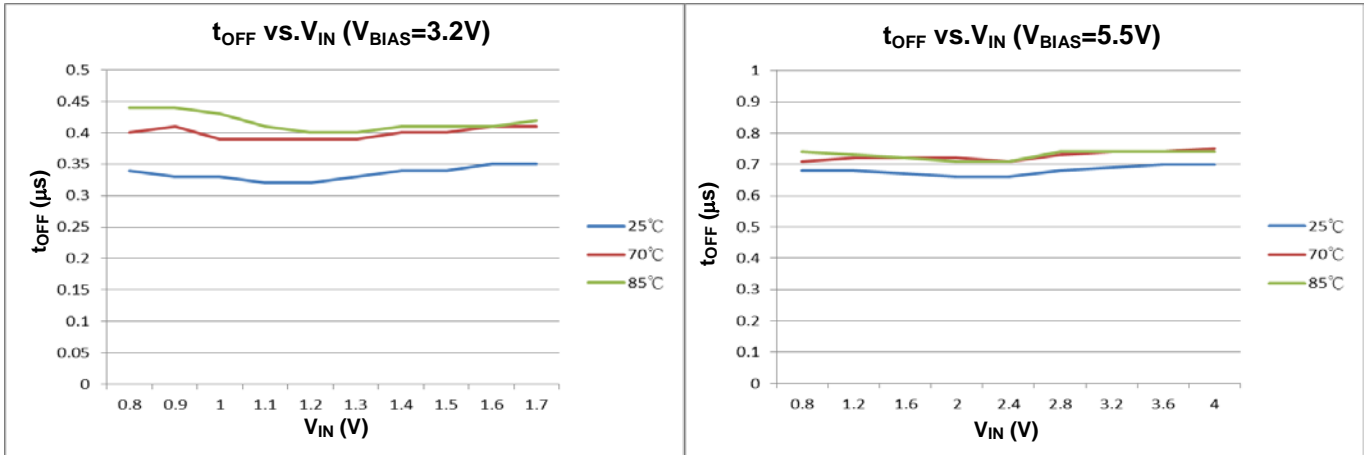
Symbol	Parameter	Min	Typ	Max	Unit
V_{IN} = 1.5V, V_{VBIAS} = V_{ON} = 5V					
t _{ON}	Turn-ON Time	10	—	65	μs
t _{D-ON}	Turn-ON Delay time	7.5	—	45	
t _R	Turn-ON Rise Time	5	—	33	
t _{OFF}	Turn-OFF Time	—	0.2	—	
t _F	Turn-OFF Fall Time	—	0.7	—	
V_{IN} = 1.05V, V_{VBIAS} = V_{ON} = 5V					
t _{ON}	Turn-ON Time	10	—	65	μs
t _{D-ON}	Turn-ON Delay time	7.5	—	45	
t _R	Turn-ON Rise Time	5	—	33	
t _{OFF}	Turn-OFF Time	—	0.2	—	
t _F	Turn-OFF Fall Time	—	0.7	—	



Performance Characteristics (@T_A = +25°C, unless otherwise specified.)



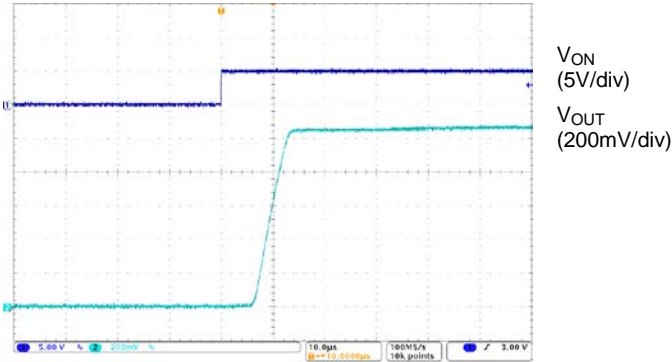
Performance Characteristics (@T_A = +25°C, unless otherwise specified.) (continued)



Performance Characteristics (@ $T_A = +25^\circ\text{C}$, unless otherwise specified) (continued)

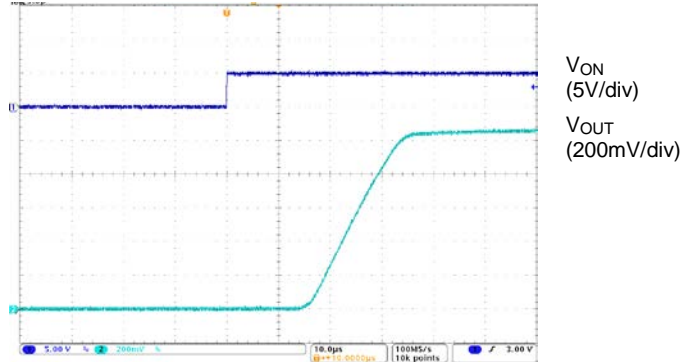
Turn-ON & Turn-ON Rise Times

$V_{IN}=1.05\text{V}$, $V_{BIAS}=5\text{V}$, $C_{IN}=1\mu\text{F}$, $C_{OUT}=0.1\mu\text{F}$, $R_{OUT}=10\Omega$



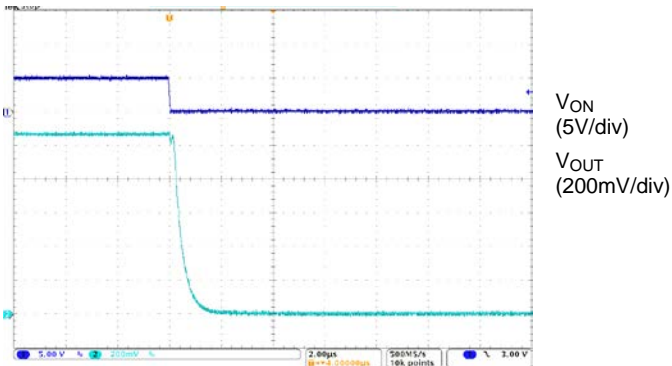
Turn-ON & Turn-ON Rise Times

$V_{IN}=1.05\text{V}$, $V_{BIAS}=3.2\text{V}$, $C_{IN}=1\mu\text{F}$, $C_{OUT}=0.1\mu\text{F}$, $R_{OUT}=10\Omega$



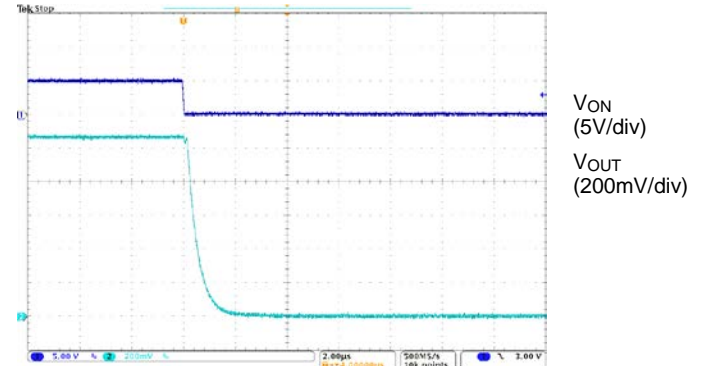
Turn-OFF & Turn-OFF FALL Times

$V_{IN}=1.05\text{V}$, $V_{BIAS}=5\text{V}$, $C_{IN}=1\mu\text{F}$, $C_{OUT}=0.1\mu\text{F}$, $R_{OUT}=10\Omega$



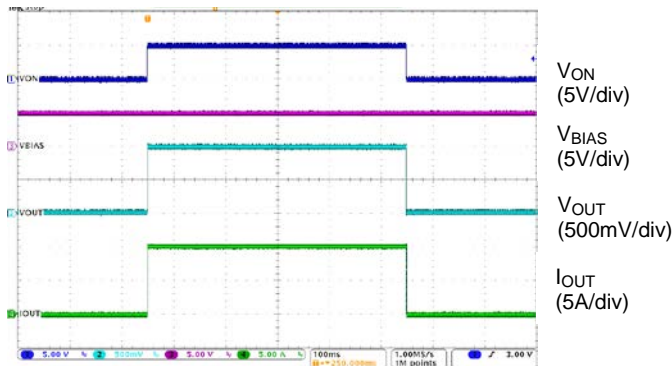
Turn-OFF & Turn-OFF FALL Times

$V_{IN}=1.05\text{V}$, $V_{BIAS}=3.2\text{V}$, $C_{IN}=1\mu\text{F}$, $C_{OUT}=0.1\mu\text{F}$, $R_{OUT}=10\Omega$



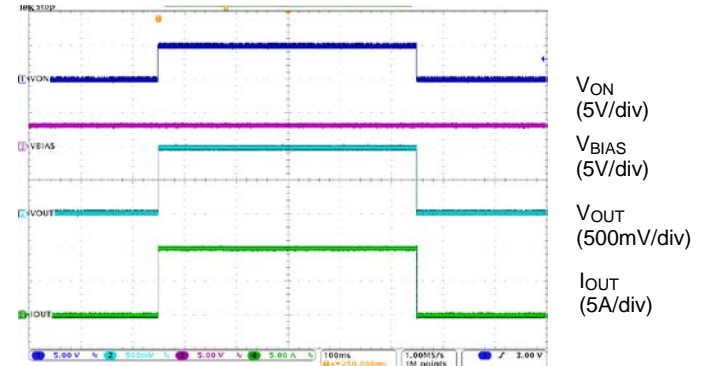
Turn-ON & Turn-OFF at $I_{OUT} = -10\text{A}$

$V_{IN}=1.05\text{V}$, $V_{BIAS}=5\text{V}$, $C_{IN}=1\mu\text{F}$, $C_{OUT}=0.1\mu\text{F}$, $R_{OUT}=0.1\Omega$



Turn-ON & Turn-OFF at $I_{OUT} = -10\text{A}$

$V_{IN}=1.05\text{V}$, $V_{BIAS}=3.2\text{V}$, $C_{IN}=1\mu\text{F}$, $C_{OUT}=0.1\mu\text{F}$, $R_{OUT}=0.1\Omega$



Application Information

General Description

The DML1010FDK is a single-channel, 6A load switch in an 8-pin DFN20x20 package. To reduce the voltage drop in high current rails, the device implements an ultra-low resistance N-channel MOSFET, which can be operated input voltage range from 0.8V to 3.5V.

The device has very low leakage current during off state. This prevents downstream circuits from pulling high standby current from the supply. Integrated control logic, driver, power supply and discharge FET eliminates the requirement for any external components, which reduce solution size and bill of materials (BOM) count.

Enable Control

The DML1010FDK device allows for enabling the MOSFET in an active-high configuration. When the VBIAS supply pin has an adequate voltage applied and the ON pin is at logic high level, the MOSFET is enabled. Similarly, when the ON pin is at logic low level, the MOSFET is disabled. An internal pull down resistor to ground on the ON pin ensures that the MOSFET disables when not being driven.

Power Sequencing

The DML1010FDK device functions with any power sequence, but the output turn-on delay performance may vary from what is specified. To archive the specified performance, there are two recommended power sequences:

- 1.) $V_{BIAS} \rightarrow V_{IN} \rightarrow V_{ON}$
- 2.) $V_{IN} \rightarrow V_{BIAS} \rightarrow V_{ON}$

Input Capacitor

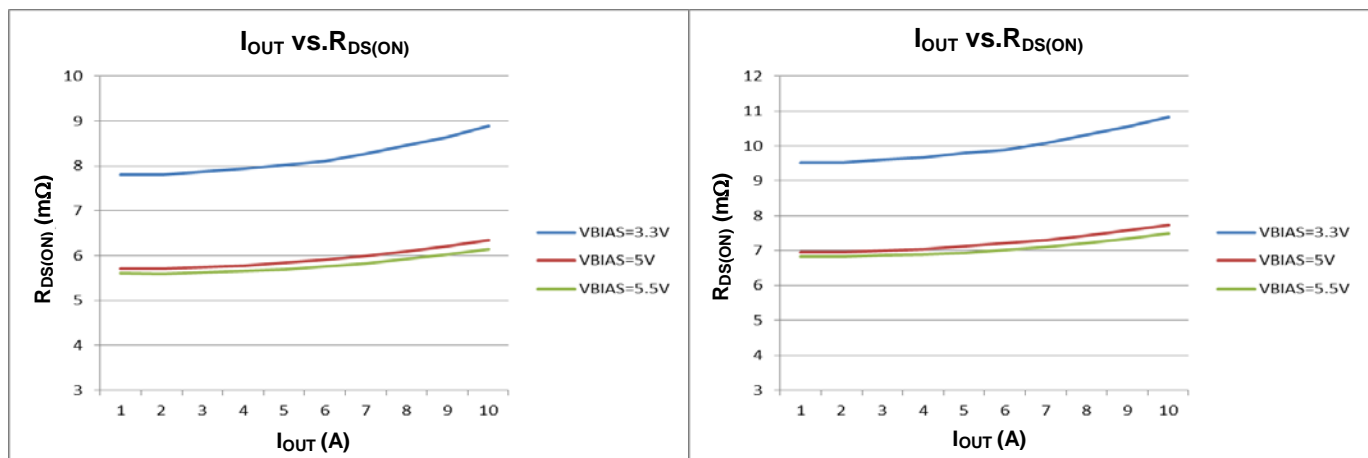
A capacitor of 10µF or higher value is recommended to be placed close to the IN pins of DML1010FDK. This capacitor can reduce the voltage drop caused by the in-rush current during the turn-on transient of the load switch. A higher value capacitor can be used to further reduce the voltage drop during high-current application.

Output Capacitor

A capacitor of 0.1µF or higher value is recommended to be placed between the OUT pins and GND. The switching times are affected by the capacitance. A larger capacitor makes the initial turn-on transient smoother. This capacitor must be large enough to supply a fast transient load in order to prevent the output from dropping.

VIN and VBIAS Voltage Range

For optimal on-resistance of load switch, make sure $V_{IN} \leq 1.5V + V_{BIAS}$ and V_{BIAS} is within the voltage range from 3.2V to 5.5V. On-resistance of load switch is higher if $V_{IN} + 1.5V > V_{BIAS}$. Resistance curves of a typical sample device at different $V_{BIAS} = V_{IN}$ at $I_{OUT} = -200mA$ are shown as below.



Application Information

Thermal Considerations

To ensure proper operation, the maximum junction temperature of the DML1010FDK should not exceed +150°C. Several factors attribute to the junction temperate rise: load current, MOSFET on-resistance, junction-to-ambient thermal resistance, and ambient temperature. The maximum load current can be determined by:

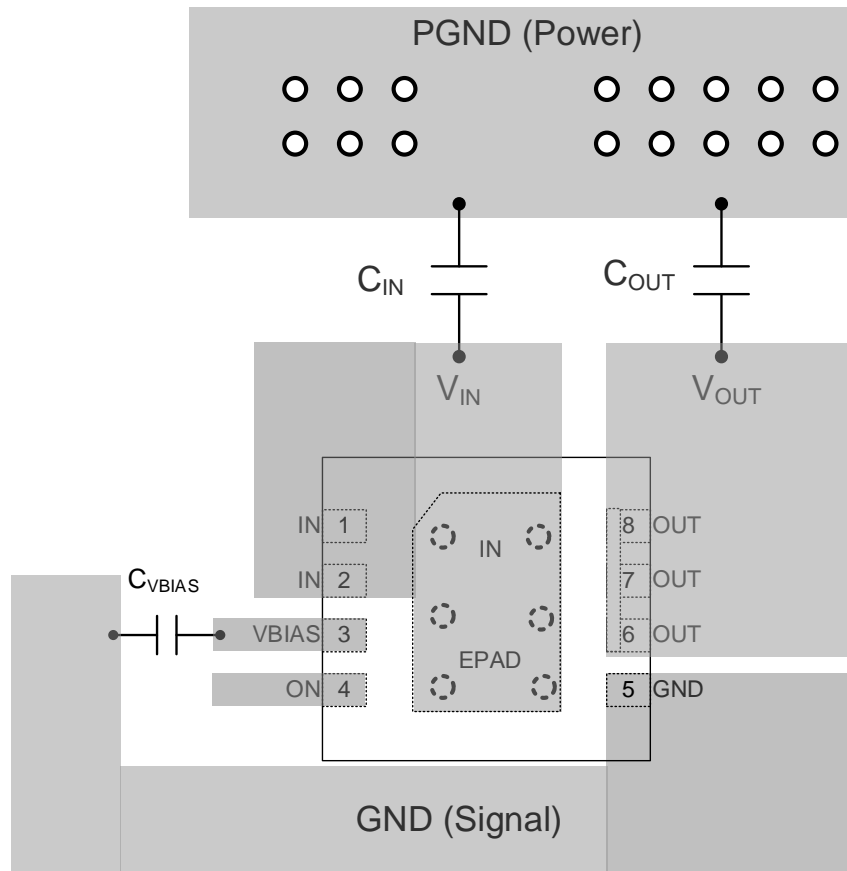
$$I_{LOAD(MAX)} = \sqrt{\frac{T_{J(MAX)} - T_C}{\Theta_{JC} \times R_{DS(ON)}}$$

Where

- $I_{LOAD(MAX)}$ is the maximum allowable current on load (A). (6A for DML1010FDK)
- $T_{J(MAX)}$ is the maximum allowable junction temperature.
- T_C is the case temperature of the device.
- Θ_{JC} = junction to case thermal impedance. This parameter is highly dependent upon PCB layout.

PCB Layout Consideration

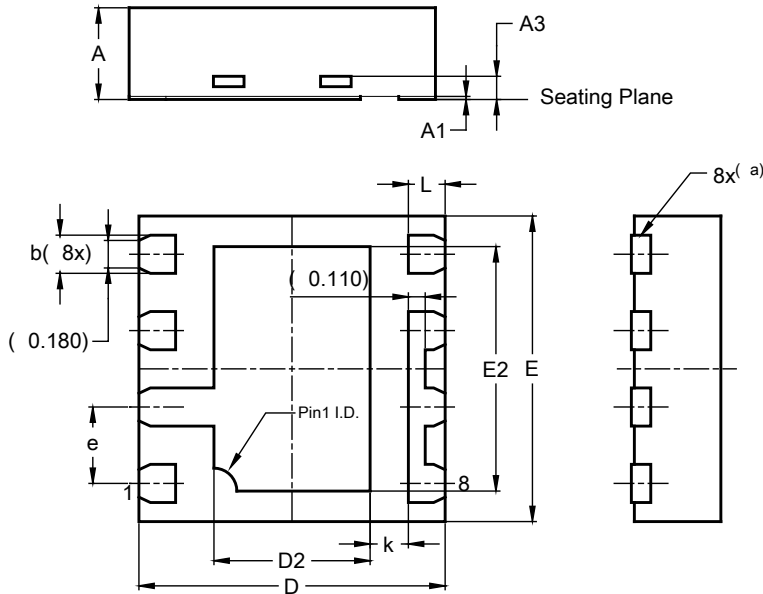
1. Place the input/output capacitors C_{IN} and C_{OUT} as close as possible to the IN and OUT pins.
2. The power traces which are IN trace, OUT trace, and GND trace should be short, wide, and directly for minimize parasitic inductance.
3. Place C_{VBIAS} capacitor near the device pin.
4. Connect the signal ground to the GND pin, and keep a single connection from GND pin to the power ground behind the input or output capacitors.
5. For better power dissipation, via holes are recommended to connect the exposed pad's landing area to a large copper polygon on the other side of the printed circuit board. The copper polygons and exposed pad shall connect to IN pin on the printed circuit board.



Package Outline Dimensions (All dimensions in mm.)

Please see <http://www.diodes.com/package-outlines.html> for the latest version.

U-DFN2020-8 (Type K)



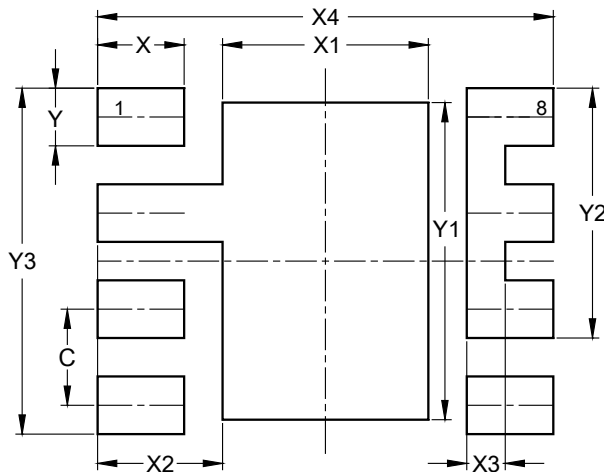
U-DFN2020-8 (Type K)			
Dim	Min	Max	Typ
A	0.55	0.65	0.60
A1	0.00	0.05	0.02
A3	—	—	0.152
b	0.20	0.30	0.25
D	1.95	2.05	2.00
D2	0.92	1.12	1.02
E	1.95	2.05	2.00
E2	1.50	1.70	1.60
e	0.50 BSC		
k	—	—	0.25
L	0.19	0.29	0.24
All Dimensions in mm			

a) Actual shape depending upon manufacturing technology used.

Suggested Pad Layout

Please see <http://www.diodes.com/package-outlines.html> for the latest version.

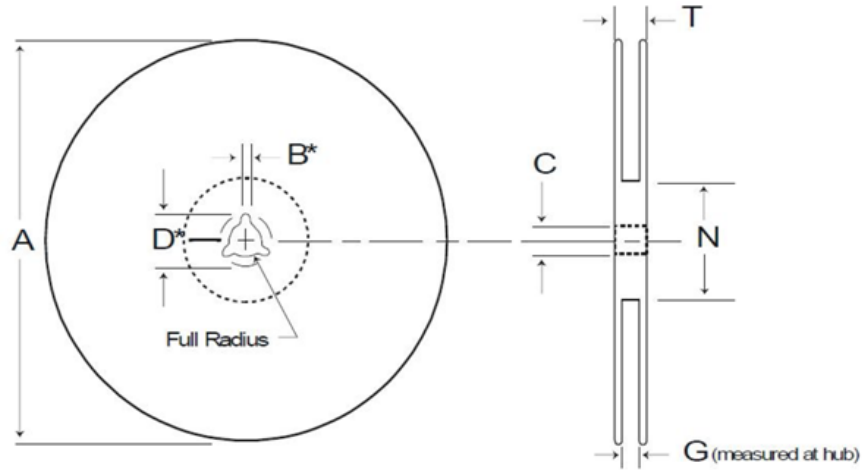
U-DFN2020-8 (Type K)



Dimensions	Value (in mm)
C	0.500
X	0.450
X1	1.070
X2	0.650
X3	0.200
X4	2.370
Y	0.300
Y1	1.650
Y2	1.300
Y3	1.800

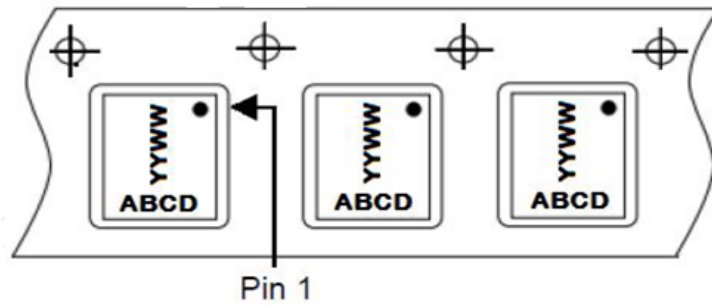
Surface Mount Reel Specifications (All dimensions in mm)

DML1010FDK-7

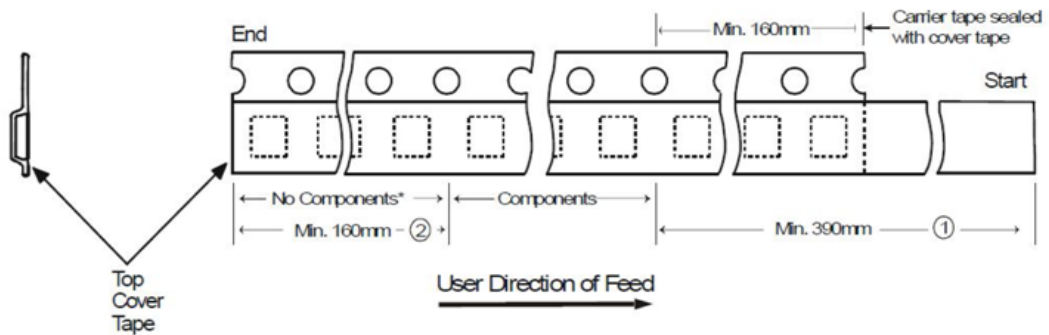


* Drive spokes optional. If used, dimensions with asterisks apply.

Tape Size	A Max	B* Max	C	D* Max	N Min	G	T Max
8mm	178 ±2	2.0 +0.5 -0	13 +0.5 -0.2	20.5 ±0.2	55 ±5	8.4 +1.5 -0.0	14.4



Tape Leader and Trailer



- Notes:
1. There shall be a leader of 230mm [9.05 inches] minimum which may consist of carrier and/or cover tape or a start tape followed by a minimum of 160mm [6.30 inches] of empty carrier tape sealed with cover tape.
 2. There shall be a trailer of 160mm [6.30 inches] minimum of empty carrier tape sealed with cover tape. The entire carrier tape must release from the reel hub as the last portion of the tape unwinds from the reel without damage to the carrier tape and the remaining components in the cavities.

IMPORTANT NOTICE

DIODES INCORPORATED MAKES NO WARRANTY OF ANY KIND, EXPRESS OR IMPLIED, WITH REGARDS TO THIS DOCUMENT, INCLUDING, BUT NOT LIMITED TO, THE IMPLIED WARRANTIES OF MERCHANTABILITY AND FITNESS FOR A PARTICULAR PURPOSE (AND THEIR EQUIVALENTS UNDER THE LAWS OF ANY JURISDICTION).

Diodes Incorporated and its subsidiaries reserve the right to make modifications, enhancements, improvements, corrections or other changes without further notice to this document and any product described herein. Diodes Incorporated does not assume any liability arising out of the application or use of this document or any product described herein; neither does Diodes Incorporated convey any license under its patent or trademark rights, nor the rights of others. Any Customer or user of this document or products described herein in such applications shall assume all risks of such use and will agree to hold Diodes Incorporated and all the companies whose products are represented on Diodes Incorporated website, harmless against all damages.

Diodes Incorporated does not warrant or accept any liability whatsoever in respect of any products purchased through unauthorized sales channel.

Should Customers purchase or use Diodes Incorporated products for any unintended or unauthorized application, Customers shall indemnify and hold Diodes Incorporated and its representatives harmless against all claims, damages, expenses, and attorney fees arising out of, directly or indirectly, any claim of personal injury or death associated with such unintended or unauthorized application.

Products described herein may be covered by one or more United States, international or foreign patents pending. Product names and markings noted herein may also be covered by one or more United States, international or foreign trademarks.

This document is written in English but may be translated into multiple languages for reference. Only the English version of this document is the final and determinative format released by Diodes Incorporated.

LIFE SUPPORT

Diodes Incorporated products are specifically not authorized for use as critical components in life support devices or systems without the express written approval of the Chief Executive Officer of Diodes Incorporated. As used herein:

A. Life support devices or systems are devices or systems which:

1. are intended to implant into the body, or
2. support or sustain life and whose failure to perform when properly used in accordance with instructions for use provided in the labeling can be reasonably expected to result in significant injury to the user.

B. A critical component is any component in a life support device or system whose failure to perform can be reasonably expected to cause the failure of the life support device or to affect its safety or effectiveness.

Customers represent that they have all necessary expertise in the safety and regulatory ramifications of their life support devices or systems, and acknowledge and agree that they are solely responsible for all legal, regulatory and safety-related requirements concerning their products and any use of Diodes Incorporated products in such safety-critical, life support devices or systems, notwithstanding any devices- or systems-related information or support that may be provided by Diodes Incorporated. Further, Customers must fully indemnify Diodes Incorporated and its representatives against any damages arising out of the use of Diodes Incorporated products in such safety-critical, life support devices or systems.

Copyright © 2019, Diodes Incorporated

www.diodes.com

单击下面可查看定价，库存，交付和生命周期等信息

[>>Diodes Incorporated\(达达科技\(美台\)\)](#)