

SWITCH FOR VBUS LINE WITH OVERVOLTAGE, SURGE, AND ESD PROTECTION

Description

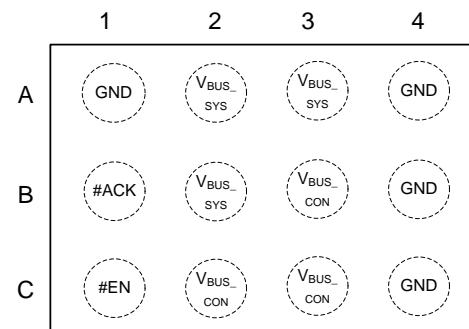
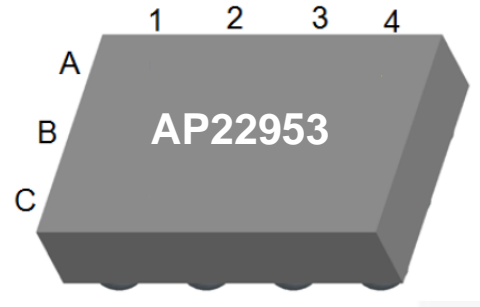
The AP22953 device is a single-chip solution for USB 2.0/3.0/Type-C connector VBUS line protection. The bidirectional MOSFET switch ensures normal current flow in both charging and host mode while protecting the internal circuits from overvoltage conditions at the V_{BUS_CON} pin. On the V_{BUS_CON} pin, the device has overvoltage protection up to 30V. After the #EN pin is pulled low, the AP22953 counts 20ms before turning on the MOSFET via soft-start delay. The #ACK pin indicates the MOSFET is fully turned ON.

The typical application interface for the AP22953 is the V_{BUS} line in USB connectors. Typical end equipment for the AP22953 include smartphones, tablet PCs, wearables, and electronic-point-of-sale (EPOS) systems. The AP22953 can also be used with other devices that use a 5V power rail interface.

Overtemperature protection turns off the switch at 145°C (typical).

The AP22953 is available in the wafer level chip scale W-WLB2013-12 1.988mm x 1.288mm x 0.64mm package with backside laminate.

Pin Assignments



WL-CSP (Top View)

Features

- Surge protection
 - IEC61000-4-5 >100V
- Integrated 39mΩ (typ) N-Channel MOSFET Switch
- Overvoltage Protection (OVP) at V_{BUS_CON} Up to 30VDC
- Integrated Input Enable and Status Output Signal
- Overtemperature Protection (OTP)
- ESD Protection
 - Human Body Model >4kV
 - Charged Device Model >1kV
 - IEC61000-4-2 Air Discharge >15kV
 - IEC61000-4-2 Contact Discharge >15kV
- **Totally Lead-Free & Fully RoHS Compliant (Notes 1 & 2)**
- **Halogen and Antimony Free. "Green" Device (Note 3)**
- **For automotive applications requiring specific change control (i.e. parts qualified to AEC-Q100/101/200, PPAP capable, and manufactured in IATF 16949 certified facilities), please [contact us](#) or your local Diodes representative.**

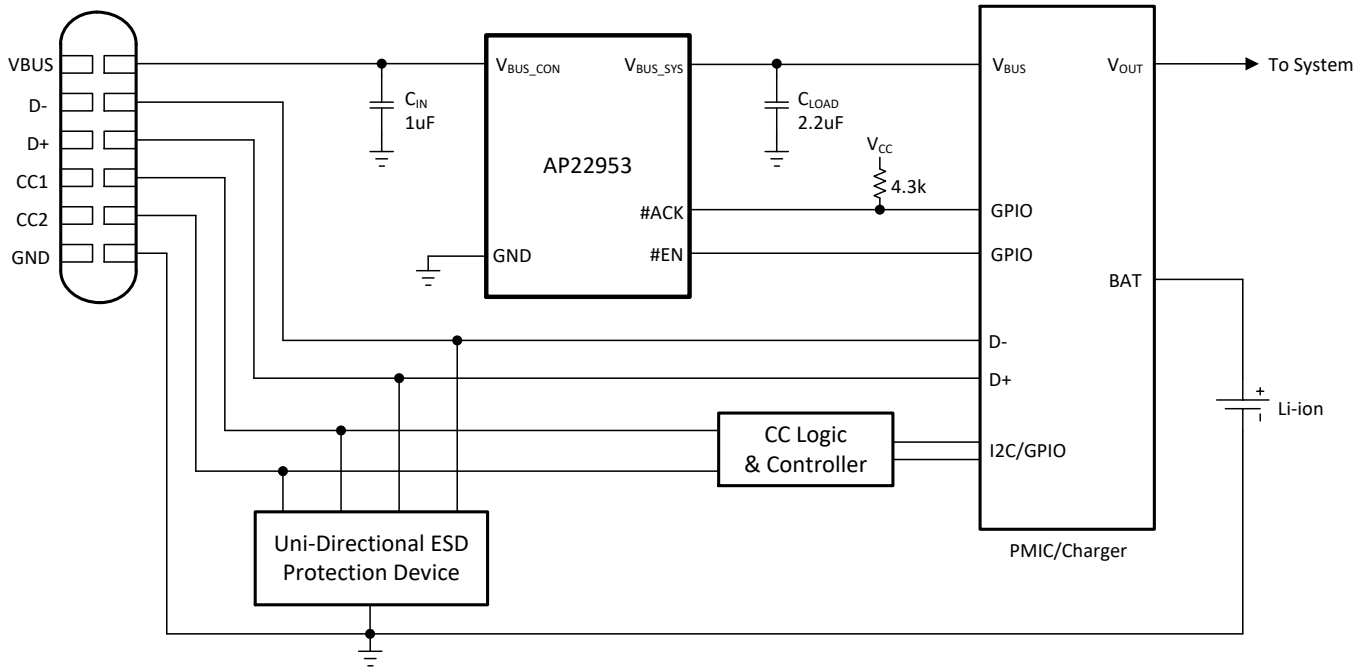
<https://www.diodes.com/quality/product-definitions/>

Applications

- Smartphones
- Tablet PCs
- Wearables
- Electronic-Point-of-Sale (EPOS) Systems

Notes: 1. No purposely added lead. Fully EU Directive 2002/95/EC (RoHS), 2011/65/EU (RoHS 2) & 2015/863/EU (RoHS 3) compliant.
 2. See <https://www.diodes.com/quality/lead-free/> for more information about Diodes Incorporated's definitions of Halogen- and Antimony-free, "Green" and Lead-free.
 3. Halogen- and Antimony-free "Green" products are defined as those which contain <900ppm bromine, <900ppm chlorine (<1500ppm total Br + Cl) and <1000ppm antimony compounds.

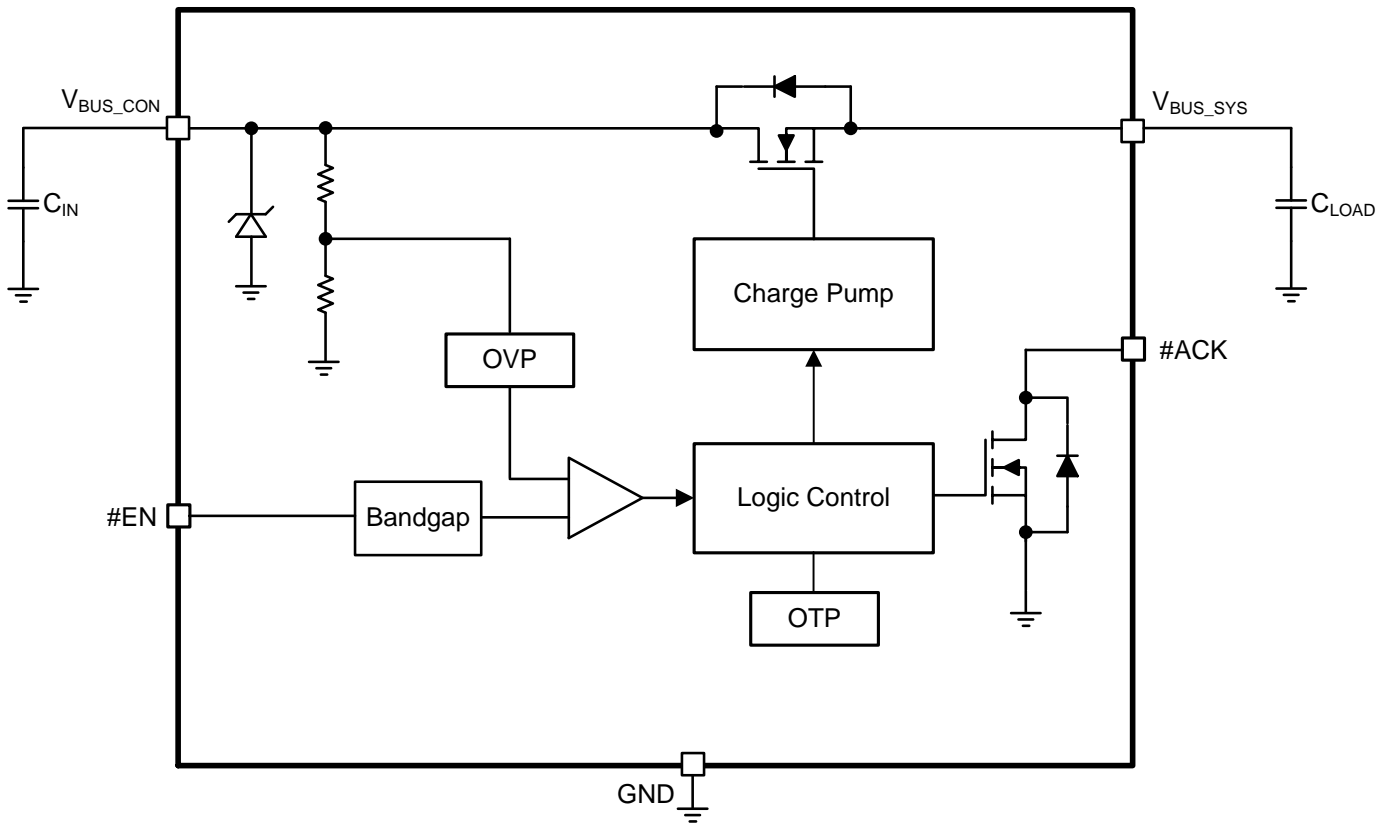
Typical Applications Circuit



Pin Descriptions

Pin Name	Pin Number	I/O	Function
V _{BUS_CON}	B3, C2, C3	I/O	Supply voltage from USB connector V _{BUS} pin. Bypass V _{BUS_CON} with a 1μF ceramic capacitor as close as possible to the device.
V _{BUS_SYS}	A2, A3, B2	I/O	Internal supply voltage rail to PMIC V _{BUS} plane. Bypass V _{BUS_SYS} with a 2.2μF ceramic capacitor as close as possible to the device.
#ACK	B1	O	Open-Drain Acknowledge pin.
#EN	C1	I	Enable Active-Low Input. Drive #EN low to enable the switch. Drive #EN high to disable the switch.
GND	A1, A4, B4, C4	Ground	Device ground. Connect to PCB ground plane

Functional Block Diagram



Absolute Maximum Ratings (@ $T_A = +25^\circ\text{C}$, unless otherwise specified.)

Symbol		Parameter	Ratings	Unit
ESD	HBM	Human Body Model ESD Protection	4	kV
	CDM	Charged Device Model ESD Protection	1	kV
	IEC system level	IEC 61000-4-2. Contact Discharge, V_{BUS_CON} (Note 4)	15	kV
	IEC system level	IEC 61000-4-2. Air Gap Discharge, V_{BUS_CON} (Note 4)	15	kV
Surge		IEC 61000-4-5 Surge Protection, V_{BUS_CON} (Note 4)	100	V
V_{BUS_CON}		Supply voltage from USB connector	-0.3 to +30	V
V_{BUS_SYS}		Internal supply DC voltage rail on the PCB	-0.3 to +7	V
#ACK, #EN		$V_{\#ACK}$, $V_{\#EN}$ Voltages	-0.3 to +7	V
I_{CON} , I_{SYS}		Switch I/O Current (Continuous)	3.5	A
T_A		Operating Ambient Temperature	-40 to +85	$^\circ\text{C}$
T_{ST}		Storage Temperature Range	-40 to +150	$^\circ\text{C}$
P_D		Power Dissipation	670	mW
$R_{\theta JA}$		Thermal Resistance, Junction to Ambient	89	$^\circ\text{C/W}$
$R_{\theta JC}$		Thermal Resistance, Junction to Case	0.6	$^\circ\text{C/W}$

Notes: 4. The JEDEC high-K (2s2p) board used to derive this data was a 3in x 3in, multilayer board with 1oz internal power and ground planes with 2oz copper traces on top and bottom of the board.
5. EVM has been tested per typical circuit with capacitors connected to the V_{BUS_CON} and V_{BUS_SYS} .

Caution: Stresses greater than the 'Absolute Maximum Ratings' specified above, may cause permanent damage to the device. These are stress ratings only; functional operation of the device at these or any other conditions exceeding those indicated in this specification is not implied. Device reliability may be affected by exposure to absolute maximum rating conditions for extended periods of time.

Recommended Operating Conditions (@ $T_A = +25^\circ\text{C}$, unless otherwise specified.)

Symbol	Parameter	Min	Nom	Max	Unit
V_{BUS_CON}	Supply voltage from USB connector	—	—	5.9	V
V_{BUS_SYS}	Internal supply DC voltage rail on the PCB	—	—	5.9	V
C_{LOAD}	Output load capacitance, V_{BUS_SYS} pin	—	2.2	—	μF
C_{IN}	Input capacitance, V_{BUS_CON} pin	—	1	—	μF
$R_{PULL-UP}$	Pull-up resistor, #ACK	—	4.3	100	$\text{k}\Omega$
I_{VBUS}	Continuous current on V_{BUS_CON} and V_{BUS_SYS} pins	—	—	3.5	A
I_{DIODE}	Continuous current through the MOSFET body diode	—	—	1	A

Electrical Characteristics (@ $T_A = +25^\circ\text{C}$, unless otherwise specified. $C_{IN} = 1\mu\text{F}$, $C_{OUT} = 2.2\mu\text{F}$.
 Typical values are at $V_{BUS} = +5.0\text{V}$, $I_{VBUS} \leq 3.5\text{A}$) (Note 6)

Symbol	Parameter	Test Conditions (Note 7)	Min	Typ	Max	Unit
Supply						
I_{VBUS_SLEEP}	V_{BUS_CON} operating current consumption	Measured at V_{BUS_CON} pin, $V_{BUS_CON} = 5\text{V}$, #EN = 5V	—	30	70	μA
I_{VBUS}		Measured at V_{BUS_CON} pin, $V_{BUS_CON} = 5\text{V}$, #EN = 0V and no load	—	175	373	μA
I_{VBUS_SYS}	V_{BUS_CON} operating current consumption	Measured at V_{BUS_SYS} pin, $V_{BUS_SYS} = 5\text{V}$, #EN = 0V and $V_{BUS_CON} = \text{Hi-Z}$	—	175	373	μA
I_{HOST_LEAK}	Host mode leakage current	Measured at V_{BUS_SYS} pin, $V_{BUS_SYS} = 5\text{V}$, #EN = 5V and $V_{BUS_CON} = \text{Hi-Z}$	—	110	—	μA
I/O Voltage Protection						
V_{OVP_RISING}	Input overvoltage protection threshold, V_{BUS_CON}	V_{BUS_CON} increasing from 5V	6	6.2	6.4	V
V_{HYS_OVP}	Hysteresis on OVP, V_{BUS_CON}	V_{BUS_CON} decreasing from 7V to 5V	—	50	—	mV
$V_{OVP_FALLING}$	Input overvoltage protection threshold, V_{BUS_CON}	V_{BUS_CON} decreasing from 7V to 5V	5.93	—	6.37	V
V_{UVLO}	Input undervoltage lockout, V_{BUS_CON}	V_{BUS_CON} voltage rising from 0V to 5V	2.3	2.75	3.2	V
V_{HYS_UVLO}	Hysteresis on UVLO, V_{BUS_CON}	Difference between rising and falling UVLO thresholds	—	100	—	mV
$V_{UVLO_FALLING}$	Input undervoltage lockout, V_{BUS_CON}	V_{BUS_CON} voltage rising from 5V to 0V	—	2.65	—	V
V_{UVLO_SYS}	V_{BUS_SYS} undervoltage lockout, V_{BUS_SYS}	V_{BUS_SYS} voltage rising from 0V to 5V	2.9	3.35	3.8	V
$V_{HYS_UVLO_SYS}$	V_{BUS_SYS} UVLO Hysteresis, V_{BUS_SYS}	Difference between rising and falling UVLO thresholds on V_{BUS_SYS}	—	700	—	mV
$V_{UVLO_SYS_FALL}$	V_{BUS_SYS} undervoltage lockout, V_{BUS_SYS}	V_{BUS_SYS} voltage falling from 7V to 5V	—	2.65	—	V
t_{OVP_RES}	OVP response time	Measured from OVP condition to MOSFET Turn Off. V_{BUS_CON} rises at 1V/100 ns (Notes 8)	—	—	100	ns
t_{OVP_RECOV}	Recovery time	Measured from OVP Clear to MOSFET Turn ON (Notes 9)	—	15	—	ms
Switching Characteristics						
$R_{DS(on)}$	Switch ON-resistance	$V_{BUS_CON} = 5\text{V}$, $I_{OUT} = 1\text{A}$, $T_A = 25^\circ\text{C}$	—	39	50	m Ω
Digital Signals						
V_{IH}	High-level input voltage, #EN	—	1.2	—	—	V
V_{IL}	Low-level input voltage, #EN	—	—	—	0.7	V
I_{IL}	Input leakage current, #EN	$V_I = 3.3\text{V}$	—	—	1	μA
V_{OL}	Low-level output voltage, #ACK	$I_{OL} = 1\text{mA}$	—	—	0.4	V
Timing Characteristics						
t_{DELAY}	USB charging turn-on delay	Measured from #EN asserted Low to MOSFET Turn On, excluding soft-start time	—	15	—	ms
t_{SS}	USB charging rise time (soft-start delay)	Measure from V_{BUS_SYS} rises above 25% until #ACK goes Low 10%, $R_{LOAD} = 1\text{M}\Omega$ and $C_{LOAD} = \text{NC}$	—	18	—	ms
t_{OFF_DELAY}	USB charging turn-off time	Measured from #EN asserted High to V_{BUS_SYS} falling to 10%, $R_{LOAD} = 10\Omega$ and $C_{LOAD} = \text{NC}$	—	4	—	ns
Thermal Protection						
T_{SHDN}	Thermal Shutdown	Junction temperature	—	145	—	$^\circ\text{C}$
T_{HYS}	Thermal Shutdown Hysteresis	Junction temperature	—	35	—	$^\circ\text{C}$

- Notes:
- Specifications are over -40°C to $+85^\circ\text{C}$ and are guaranteed by characterization and design.
 - Pulse-testing techniques maintain junction temperature close to ambient temperature; thermal effects must be taken into account separately.
 - Parameters provided for reference only, and do not constitute part of DIODES's published device specifications.
 - Excludes soft-start time.

Timing Diagrams ($V_{BUS_CON} = 5V$, $C_{IN} = 1\mu F$, $C_{LOAD} = 2.2\mu F$, $\#EN = \text{Enable}$, $T_A = 25^\circ C$.)

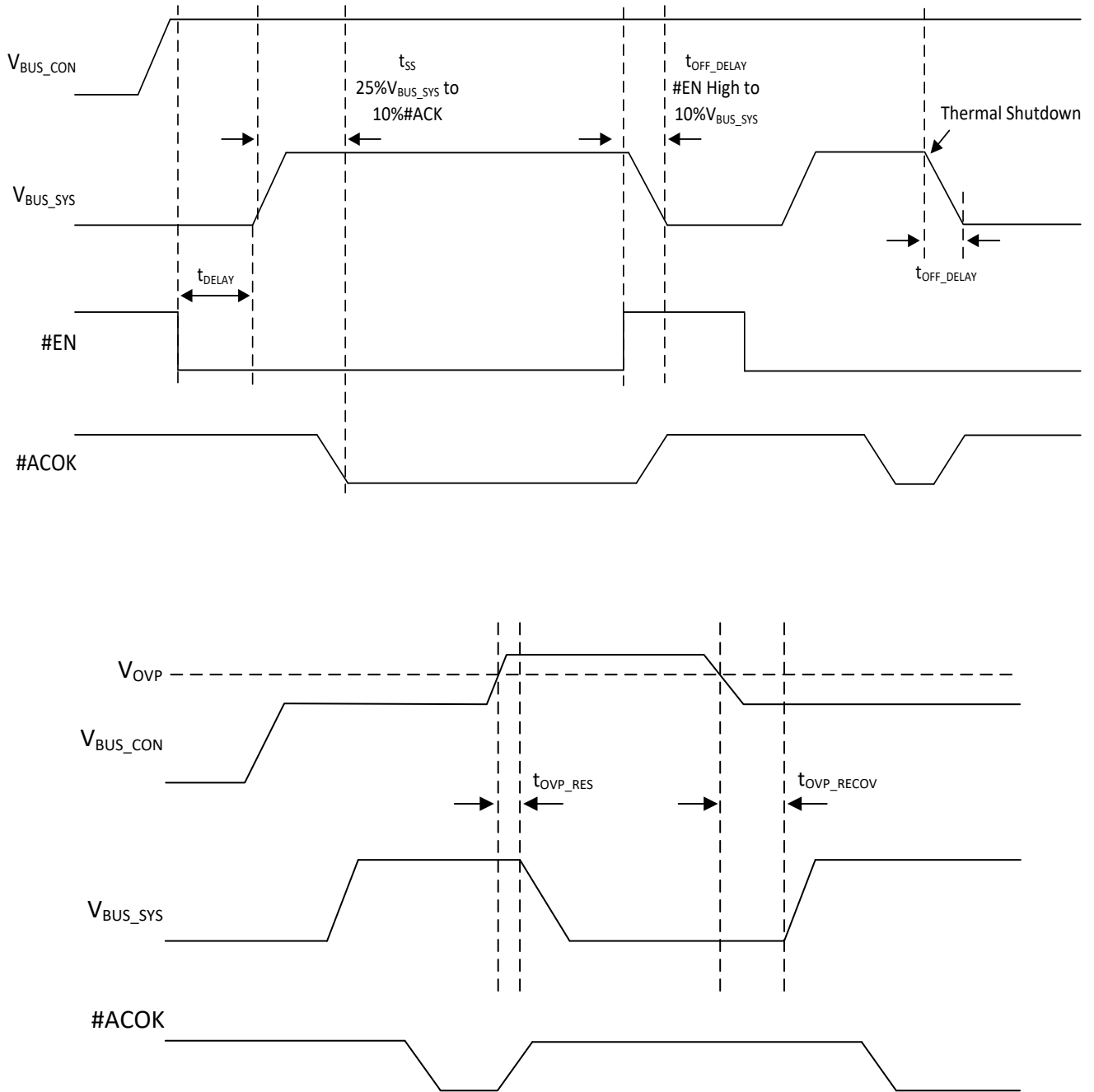
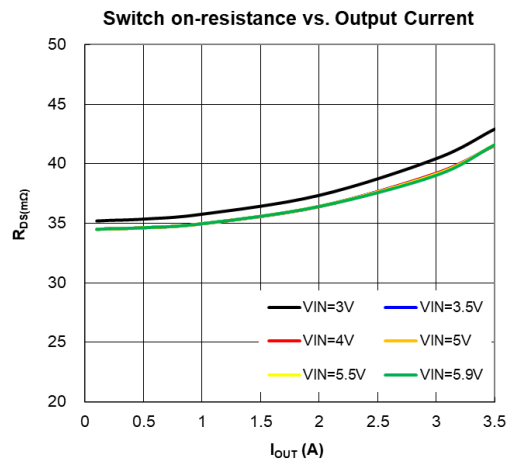
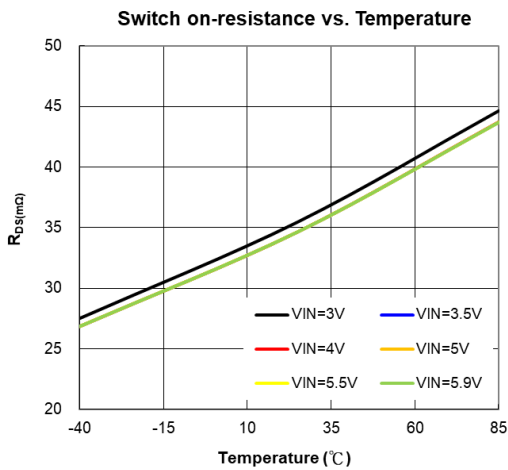
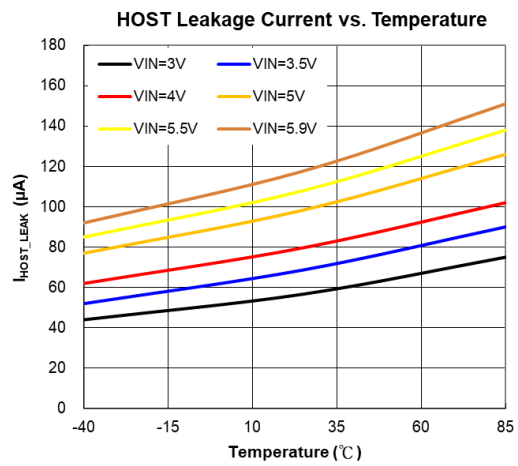
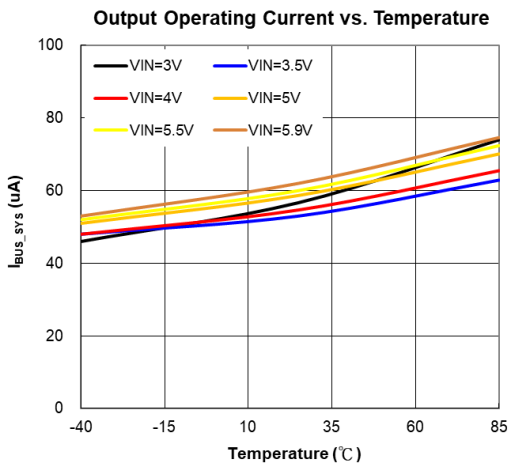
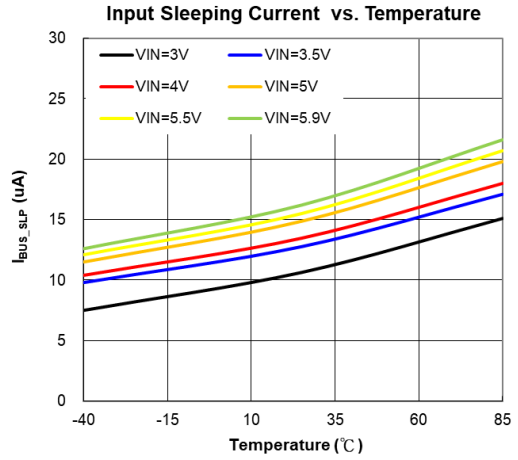
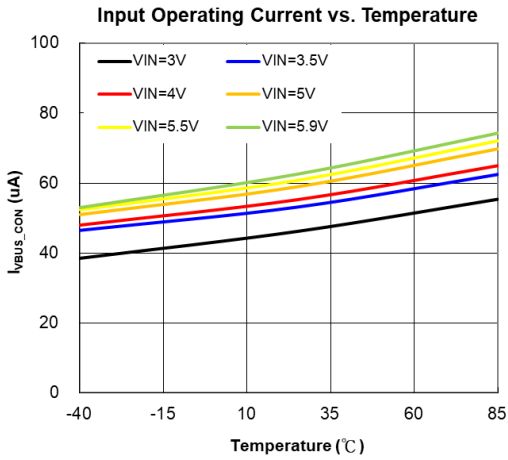
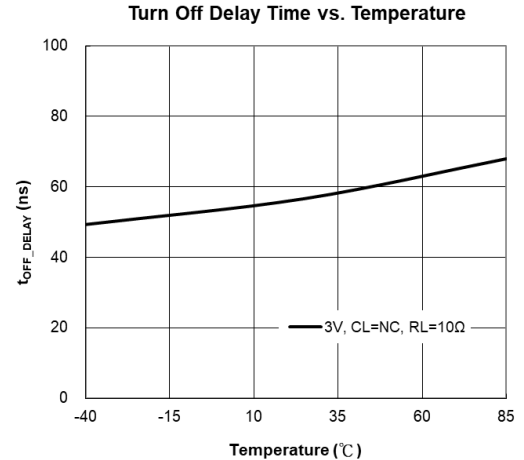
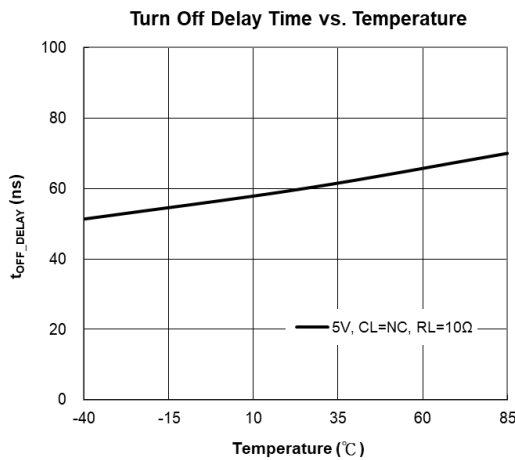
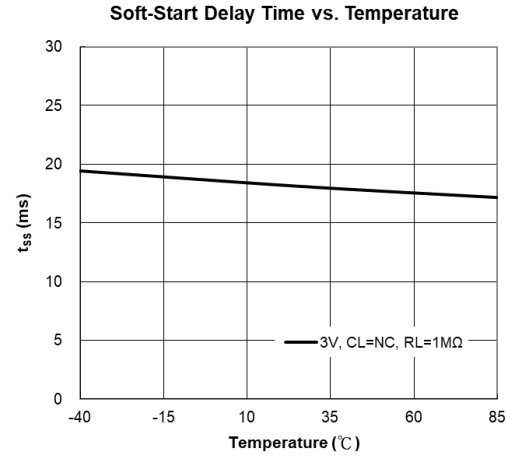
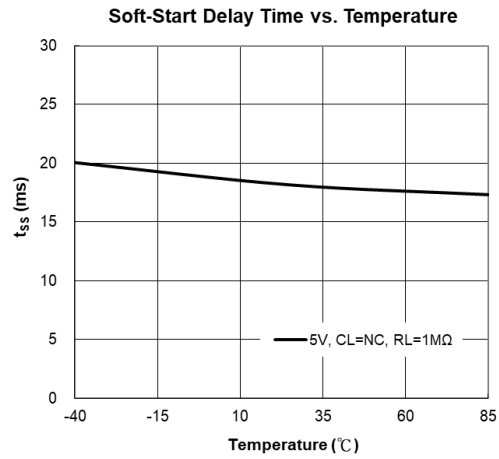
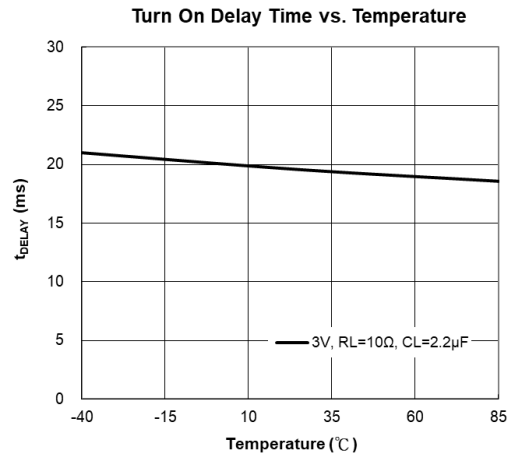
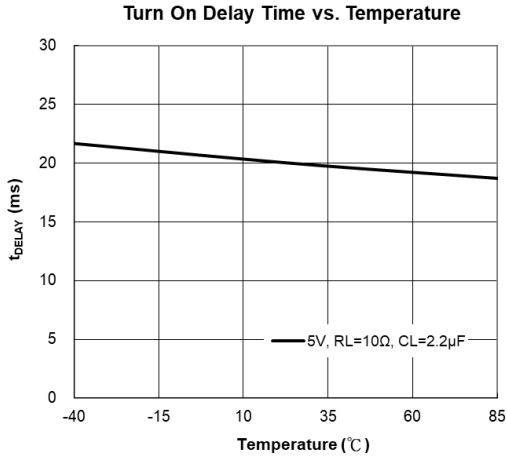


Figure 1. Timing for Power up, Normal operation, OTP and OVP protection

Typical Performance Characteristics ($C_{IN} = 1\mu F$, $C_{LOAD} = 2.2\mu F$, unless otherwise specified.)



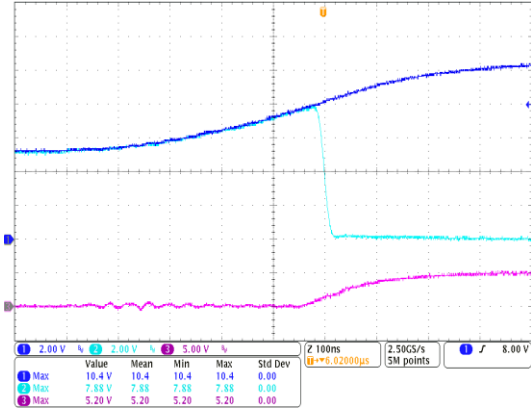
Typical Performance Characteristics ($C_{IN} = 1\mu F$, $C_{LOAD} = 2.2\mu F$, unless otherwise specified.)



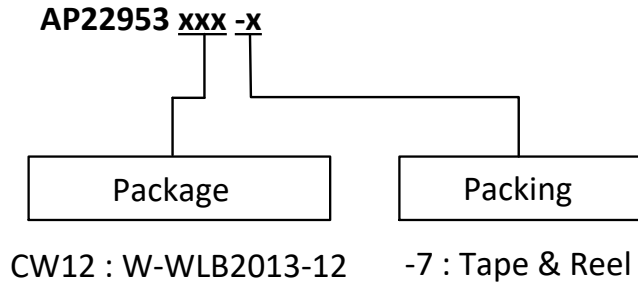
Typical Performance Characteristics ($C_{IN} = 1\mu F$, $C_{LOAD} = 2.2\mu F$, unless otherwise specified.)

OVP Response Time

CH1 = V_{BUS_CON} , CH2 = V_{BUS_SYS} , CH3 = #ACK
 V_{BUS_CON} ramp from 5V to 10V



Ordering Information

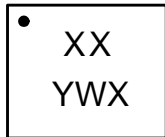


Part Number	Package Code	Packaging	7" Tape and Reel	
			Quantity	Part Number Suffix
AP22953CW12-7	CW12	W-WLB2013-12	3,000/Tape & Reel	-7

Marking Information

W-WLB1318-12

(Top View)



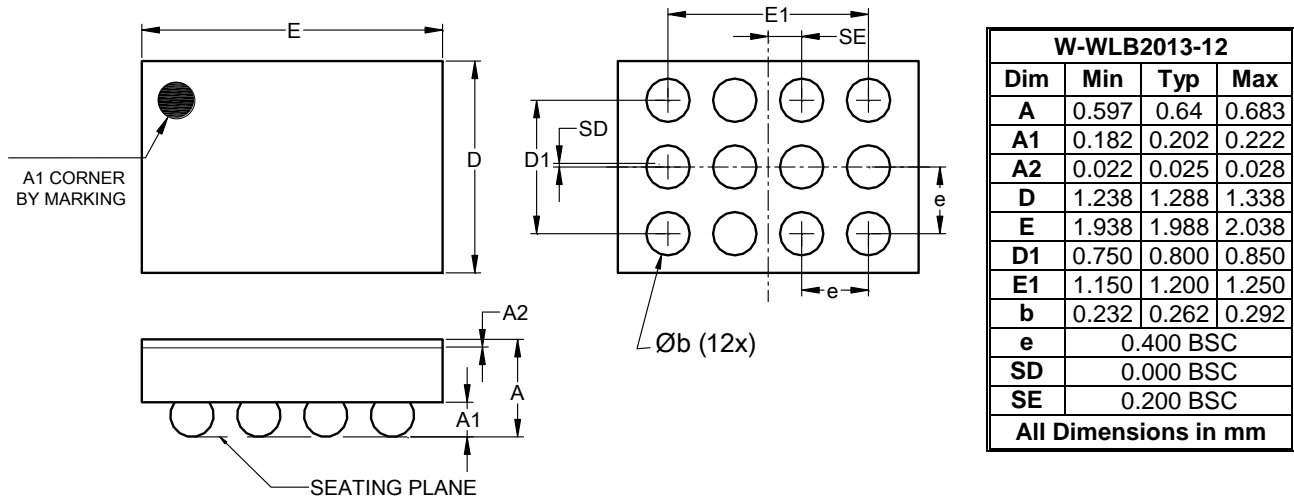
- XX : Identification Code
- Y : Year : 0~9
- W : Week : A~Z : 1~26 week;
a~z : 27~52 week; z represents
52 and 53 week
- X : Internal Code

Part Number	Package	Identification Code
AP22953CW12-7	W-WLB2013-12	HW

Package Outline Dimensions

Please see <https://www.diodes.com/design/support/packaging/> for the latest version.

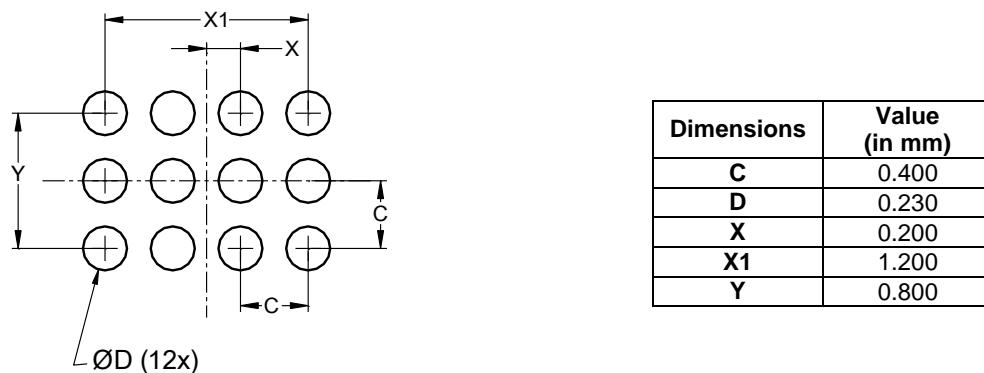
(1) Package Type: W-WLB2013-12



Suggested Pad Layout

Please see <https://www.diodes.com/design/support/packaging/> for the latest version.

(1) Package Type: W-WLB1318-12



IMPORTANT NOTICE

1. DIODES INCORPORATED AND ITS SUBSIDIARIES (“DIODES”) MAKE NO WARRANTY OF ANY KIND, EXPRESS OR IMPLIED, WITH REGARDS TO ANY INFORMATION CONTAINED IN THIS DOCUMENT, INCLUDING, BUT NOT LIMITED TO, THE IMPLIED WARRANTIES OF MERCHANTABILITY, FITNESS FOR A PARTICULAR PURPOSE OR NON-INFRINGEMENT OF THIRD PARTY INTELLECTUAL PROPERTY RIGHTS (AND THEIR EQUIVALENTS UNDER THE LAWS OF ANY JURISDICTION).
2. The Information contained herein is for informational purpose only and is provided only to illustrate the operation of Diodes products described herein and application examples. Diodes does not assume any liability arising out of the application or use of this document or any product described herein. This document is intended for skilled and technically trained engineering customers and users who design with Diodes products. Diodes products may be used to facilitate safety-related applications; however, in all instances customers and users are responsible for (a) selecting the appropriate Diodes products for their applications, (b) evaluating the suitability of the Diodes products for their intended applications, (c) ensuring their applications, which incorporate Diodes products, comply the applicable legal and regulatory requirements as well as safety and functional-safety related standards, and (d) ensuring they design with appropriate safeguards (including testing, validation, quality control techniques, redundancy, malfunction prevention, and appropriate treatment for aging degradation) to minimize the risks associated with their applications.
3. Diodes assumes no liability for any application-related information, support, assistance or feedback that may be provided by Diodes from time to time. Any customer or user of this document or products described herein will assume all risks and liabilities associated with such use, and will hold Diodes and all companies whose products are represented herein or on Diodes’ websites, harmless against all damages and liabilities.
4. Products described herein may be covered by one or more United States, international or foreign patents and pending patent applications. Product names and markings noted herein may also be covered by one or more United States, international or foreign trademarks and trademark applications. Diodes does not convey any license under any of its intellectual property rights or the rights of any third parties (including third parties whose products and services may be described in this document or on Diodes’ website) under this document.
5. Diodes products are provided subject to Diodes’ Standard Terms and Conditions of Sale (<https://www.diodes.com/about/company/terms-and-conditions/terms-and-conditions-of-sales/>) or other applicable terms. This document does not alter or expand the applicable warranties provided by Diodes. Diodes does not warrant or accept any liability whatsoever in respect of any products purchased through unauthorized sales channel.
6. Diodes products and technology may not be used for or incorporated into any products or systems whose manufacture, use or sale is prohibited under any applicable laws and regulations. Should customers or users use Diodes products in contravention of any applicable laws or regulations, or for any unintended or unauthorized application, customers and users will (a) be solely responsible for any damages, losses or penalties arising in connection therewith or as a result thereof, and (b) indemnify and hold Diodes and its representatives and agents harmless against any and all claims, damages, expenses, and attorney fees arising out of, directly or indirectly, any claim relating to any noncompliance with the applicable laws and regulations, as well as any unintended or unauthorized application.
7. While efforts have been made to ensure the information contained in this document is accurate, complete and current, it may contain technical inaccuracies, omissions and typographical errors. Diodes does not warrant that information contained in this document is error-free and Diodes is under no obligation to update or otherwise correct this information. Notwithstanding the foregoing, Diodes reserves the right to make modifications, enhancements, improvements, corrections or other changes without further notice to this document and any product described herein. This document is written in English but may be translated into multiple languages for reference. Only the English version of this document is the final and determinative format released by Diodes.
8. Any unauthorized copying, modification, distribution, transmission, display or other use of this document (or any portion hereof) is prohibited. Diodes assumes no responsibility for any losses incurred by the customers or users or any third parties arising from any such unauthorized use.

Copyright © 2021 Diodes Incorporated

www.diodes.com

单击下面可查看定价，库存，交付和生命周期等信息

[>>Diodes Incorporated\(达达科技\(美台\)\)](#)