

30V NPN LOW SATURATION TRANSISTOR IN TO252

Features

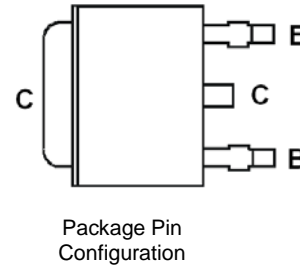
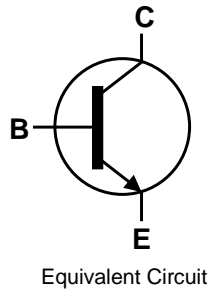
- $BV_{CEO} > 30V$
- $I_C = 7A$ High Continuous Collector Current
- $I_{CM} = 20A$ Peak Pulse Current
- $R_{CE(SAT)} = 33m\Omega$ for Low Equivalent On-Resistance
- h_{FE} Specified Up to 20A for a High Gain Hold Up
- Low Saturation Voltages
- **Lead-Free Finish; RoHS Compliant (Notes 1 & 2)**
- **Halogen and Antimony Free. "Green" Device (Note 3)**
- **Qualified to AEC-Q101 Standards for High Reliability**

Mechanical Data

- Case: TO252 (DPAK)
- Case Material: Molded Plastic, "Green" Molding Compound. UL Flammability Classification Rating 94V-0
- Moisture Sensitivity: Level 1 per J-STD-020
- Terminals: Finish—Matte Tin Plated Leads. Solderable per MIL-STD-202, Method 208 (E3)
- Weight: 0.34 grams (Approximate)

Applications

- DC-DC Converters
- DC-DC Modules
- Power Switches
- Motor Control
- Automotive Circuits

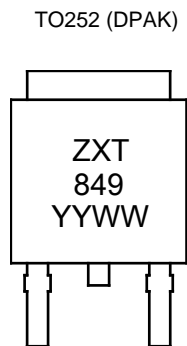


Ordering Information (Note 5)

Product	Compliance	Marking	Reel Size (inches)	Tape Width (mm)	Quantity per Reel
ZXT849KTC	AEC-Q101	ZXT849	13	16	2500

- Notes:
1. EU Directive 2002/95/EC (RoHS), 2011/65/EU (RoHS 2) & 2015/863/EU (RoHS 3) compliant. All applicable RoHS exemptions applied.
 2. See <https://www.diodes.com/quality/lead-free/> for more information about Diodes Incorporated's definitions of Halogen- and Antimony-free, "Green" and Lead-free.
 3. Halogen- and Antimony-free "Green" products are defined as those which contain <900ppm bromine, <900ppm chlorine (<1500ppm total Br + Cl) and <1000ppm antimony compounds.
 4. For packaging details, see <http://www.diodes.com/products/packages.html>.

Marking Information



ZXT849 = Product Type Marking Code
 YYWW = Date Code Marking
 YY = Last Digit of Year (ex: 18 = 2018)
 WW = Week Code (01 – 53)

Absolute Maximum Ratings (@T_A = +25°C, unless otherwise specified.)

Characteristic	Symbol	Value	Unit
Collector-Base Voltage	BV _{CBO}	80	V
Collector-Emitter Voltage	BV _{CER}	80	V
Collector-Emitter Voltage	BV _{CEO}	30	V
Emitter-Base Voltage	BV _{EBO}	7	V
Continuous Collector Current	I _C	7	A
Peak Pulse Current	I _{CM}	20	A
Base Current	I _B	0.5	A

Thermal Characteristics (@T_A = +25°C, unless otherwise specified.)

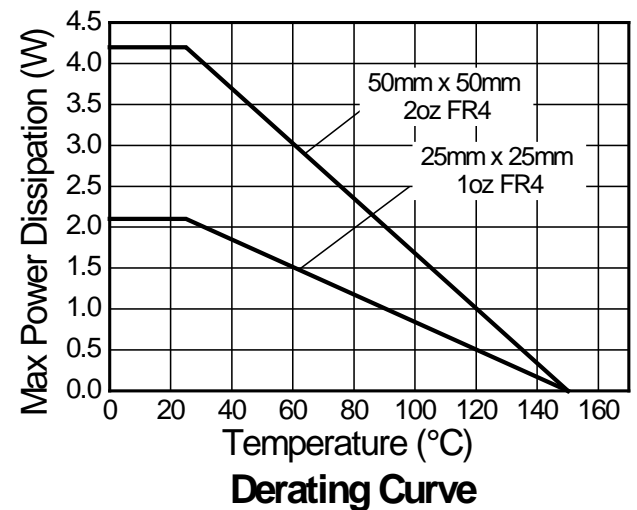
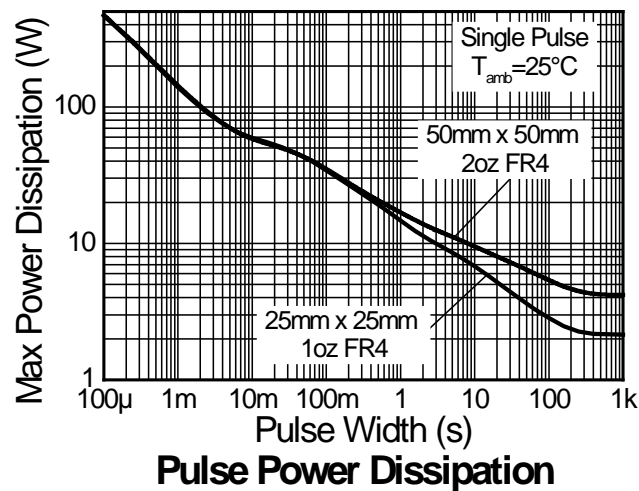
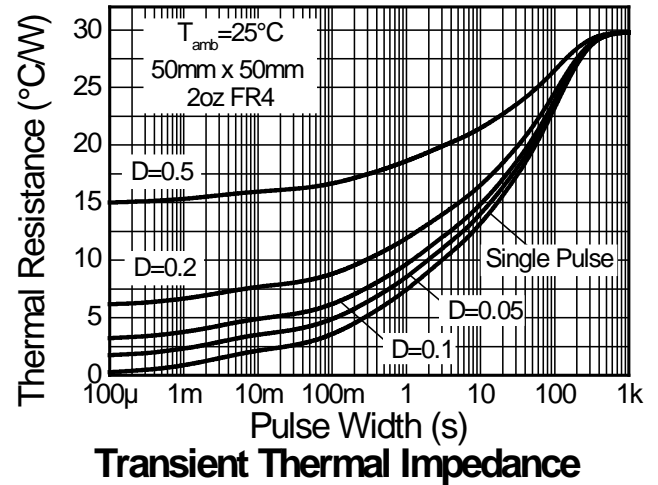
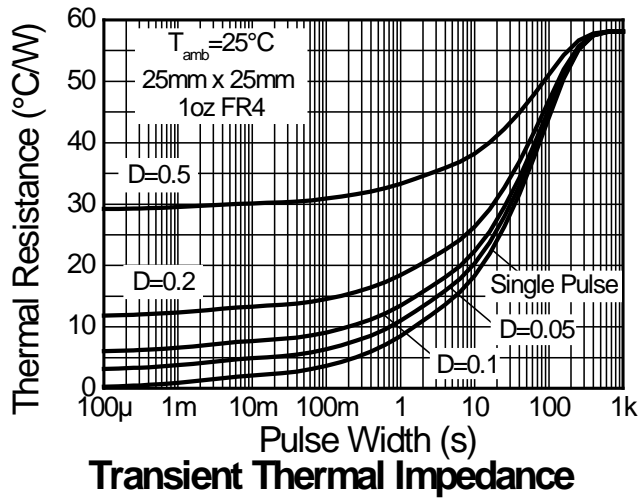
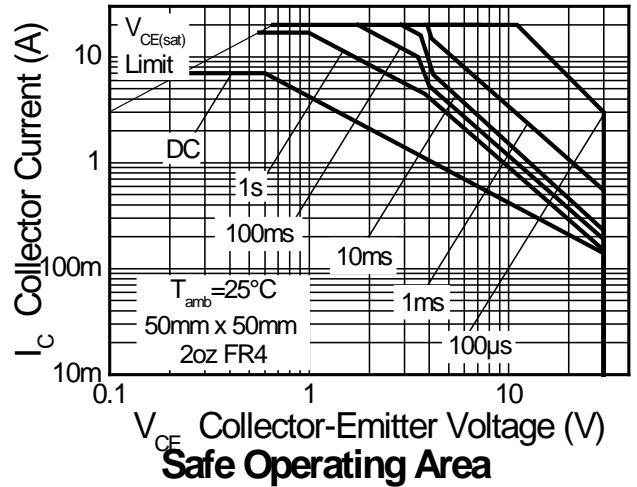
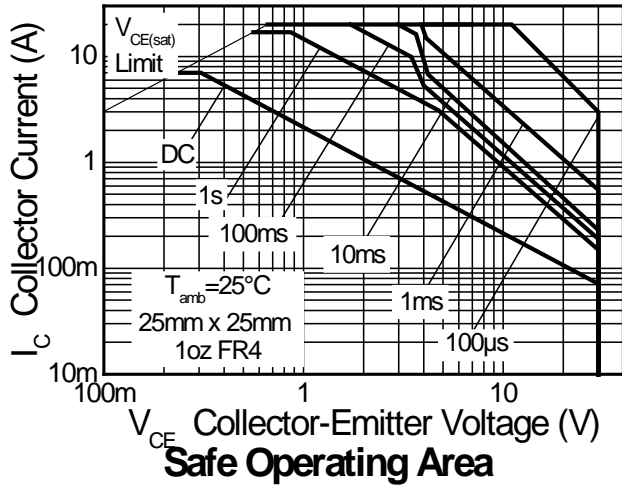
Characteristic	Symbol	Value	Unit
Power Dissipation Linear Derating Factor	P _D	2.1	W mW/°C
		(Note 5)	
		16.8	
		(Note 6)	
		3.2	
Thermal Resistance, Junction to Ambient Air	R _{θJA}	25.6	°C/W
		(Note 5)	
		4.2	
Operating and Storage Temperature Range	T _J , T _{STG}	33.6	°C
		(Note 6)	
		59	
		39	
		(Note 7)	
		30	

ESD Ratings (Note 8)

Characteristic	Symbol	Value	Unit	JEDEC Class
Electrostatic Discharge - Human Body Model	ESD HBM	4000	V	3A
Electrostatic Discharge - Machine Model	ESD MM	400	V	C

- Notes:
5. For a device mounted with the exposed collector pad on 25mm x 25mm 1oz copper that is on a single-sided 1.6mm FR4 PCB; device is measured under still air conditions whilst operating in a steady-state.
 6. Same as Note 5 except mounted on 50mm x 50mm 1oz copper.
 7. Same as Note 5 except mounted on 25mm x 25mm 2oz copper.
 8. Refer to JEDEC specification JESD22-A114 and JESD22-A115.

Thermal Characteristics and Derating Information

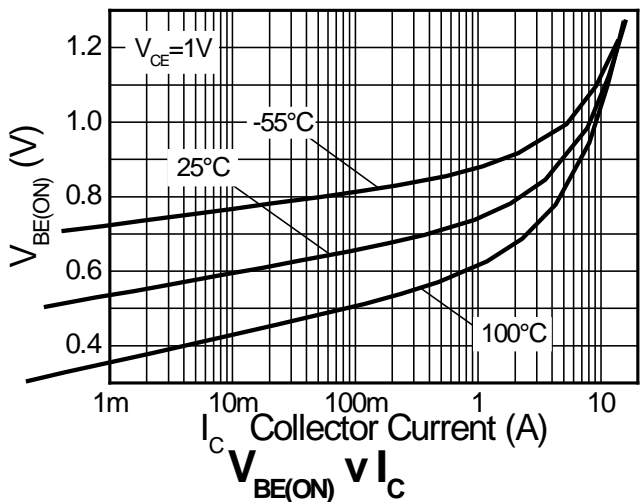
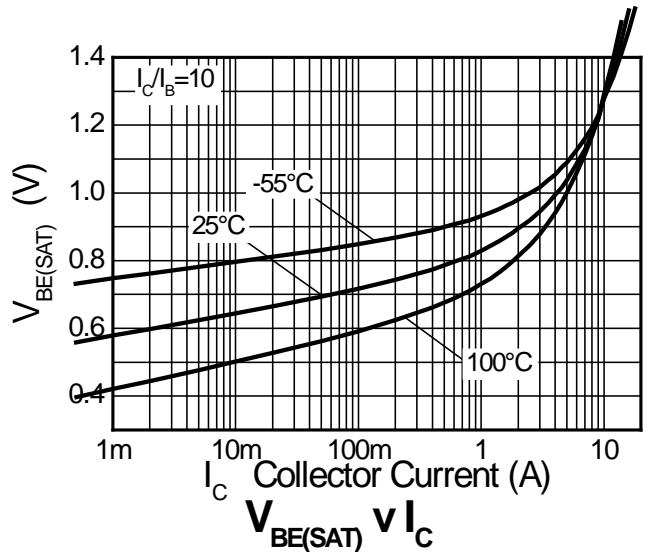
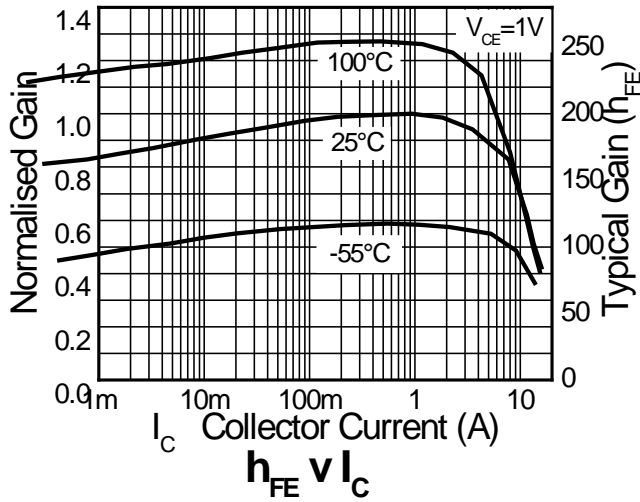
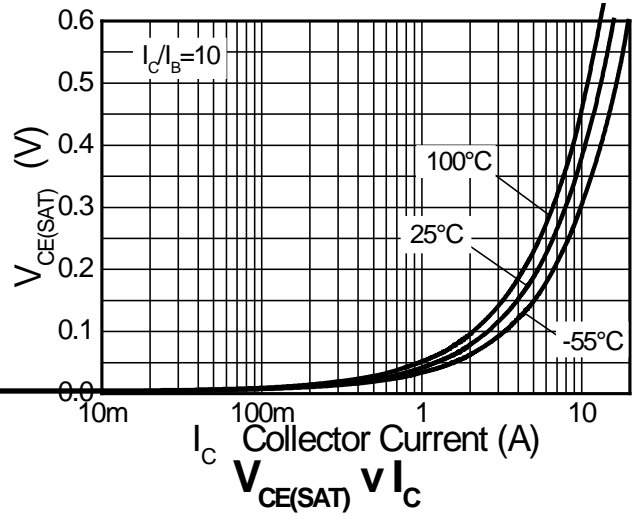
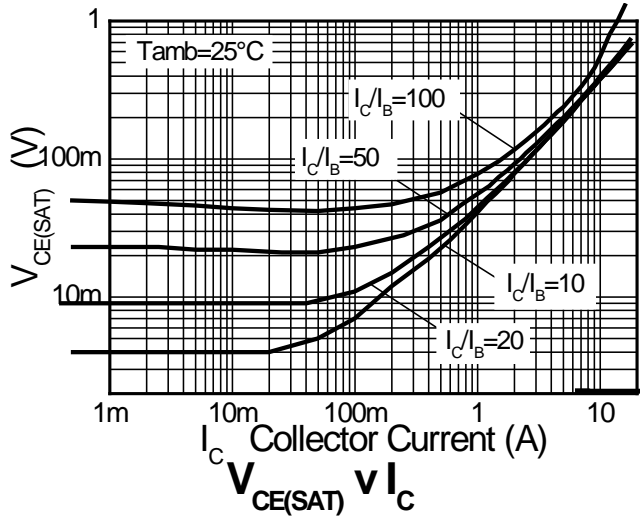


Electrical Characteristics (@T_A = +25°C, unless otherwise specified.)

Characteristic	Symbol	Min	Typ	Max	Unit	Test Condition	
Collector-Base Breakdown Voltage	BV _{CBO}	80	125	—	V	I _C = 100μA	
Collector-Emitter Breakdown Voltage	BV _{CER}	80	125	—	V	I _C = 1μA, R _{BE} = ≤1kΩ	
Collector-Emitter Breakdown Voltage (Note 9)	BV _{CEO}	30	40	—	V	I _C = 10mA	
Emitter-Base Breakdown Voltage	BV _{EBO}	7	8	—	V	I _E = 100μA	
Collector Cutoff Current	I _{CBO}	—	—	20	nA	V _{CB} = 70V	
Collector Cutoff Current	I _{CER}	—	—	20	nA	V _{CE} = 70V, R _{BE} = ≤1kΩ	
Emitter Cutoff Current	I _{EBO}	—	—	10	nA	V _{EB} = 6V	
Collector-Emitter Saturation Voltage (Note 9)	V _{CE(SAT)}	—	27	40	mV	I _C = 0.5A, I _B = 20mA	
			55	80		I _C = 1A, I _B = 20mA	
			115	180		I _C = 2A, I _B = 20mA	
			230	280		I _C = 7A, I _B = 350mA	
Base-Emitter Saturation Voltage (Note 9)	V _{BE(SAT)}	—	1.04	1.15	mV	I _C = 7A, I _B = 350mA	
Base-Emitter Turn-On Voltage (Note 9)	V _{BE(ON)}	—	0.93	1.1	V	I _C = 7A, V _{CE} = 1V	
DC Current Gain (Note 9)	h _{FE}	—	100	190	—	I _C = 10mA, V _{CE} = 1V	
			100	200		300	I _C = 1A, V _{CE} = 1V
			100	165		—	I _C = 7A, V _{CE} = 1V
			40	90		—	I _C = 20A, V _{CE} = 2V
Current Gain-Bandwidth Product	f _T	—	100	—	MHz	I _C = 100mA, V _{CE} = 10V, f = 50MHz	
Output Capacitance	C _{OBO}	—	75	—	pF	V _{CB} = 10V, f = 1MHz	
Turn-On Time	t _{ON}	—	45	—	ns	I _C = 1A, V _{CC} = 10V,	
Turn-Off Time	t _{OFF}	—	630	—	ns	I _{B1} = -I _{B2} = 100mA	

Note: 9. Measured under pulsed conditions. Pulse width ≤ 300μs; duty cycle ≤ 2%.

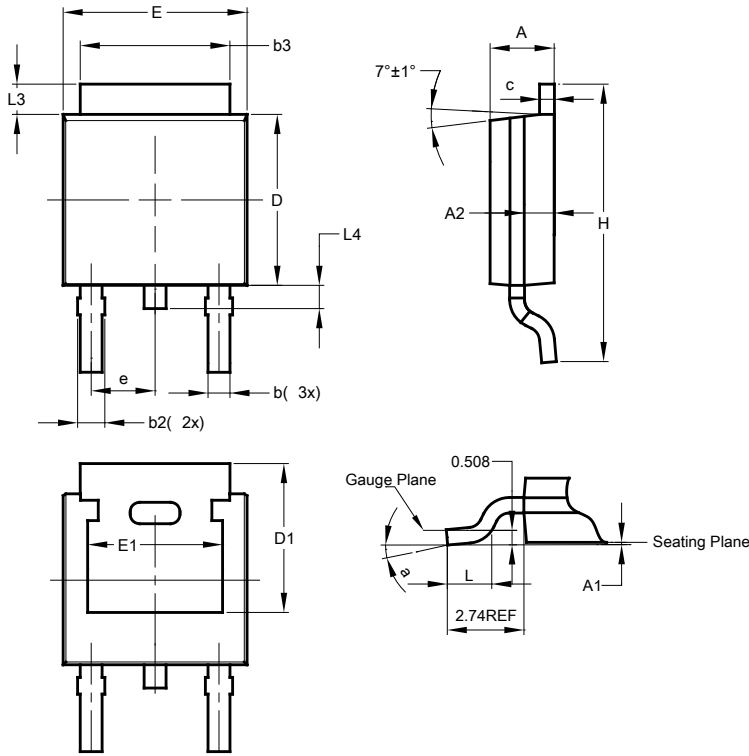
Typical Electrical Characteristics (@T_A = +25°C, unless otherwise specified.)



Package Outline Dimensions

Please see <http://www.diodes.com/package-outlines.html> for the latest version.

TO252 (DPAK)

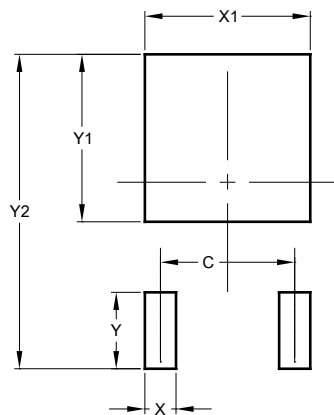


TO252 (DPAK)			
Dim	Min	Max	Typ
A	2.19	2.39	2.29
A1	0.00	0.13	0.08
A2	0.97	1.17	1.07
b	0.64	0.88	0.783
b2	0.76	1.14	0.95
b3	5.21	5.46	5.33
c	0.45	0.58	0.531
D	6.00	6.20	6.10
D1	5.21	—	—
e	—	—	2.286
E	6.45	6.70	6.58
E1	4.32	—	—
H	9.40	10.41	9.91
L	1.40	1.78	1.59
L3	0.88	1.27	1.08
L4	0.64	1.02	0.83
a	0°	10°	—
All Dimensions in mm			

Suggested Pad Layout

Please see <http://www.diodes.com/package-outlines.html> for the latest version.

TO252 (DPAK)



Dimensions	Value (in mm)
C	4.572
X	1.060
X1	5.632
Y	2.600
Y1	5.700
Y2	10.700

IMPORTANT NOTICE

DIODES INCORPORATED MAKES NO WARRANTY OF ANY KIND, EXPRESS OR IMPLIED, WITH REGARDS TO THIS DOCUMENT, INCLUDING, BUT NOT LIMITED TO, THE IMPLIED WARRANTIES OF MERCHANTABILITY AND FITNESS FOR A PARTICULAR PURPOSE (AND THEIR EQUIVALENTS UNDER THE LAWS OF ANY JURISDICTION).

Diodes Incorporated and its subsidiaries reserve the right to make modifications, enhancements, improvements, corrections or other changes without further notice to this document and any product described herein. Diodes Incorporated does not assume any liability arising out of the application or use of this document or any product described herein; neither does Diodes Incorporated convey any license under its patent or trademark rights, nor the rights of others. Any Customer or user of this document or products described herein in such applications shall assume all risks of such use and will agree to hold Diodes Incorporated and all the companies whose products are represented on Diodes Incorporated website, harmless against all damages.

Diodes Incorporated does not warrant or accept any liability whatsoever in respect of any products purchased through unauthorized sales channel. Should Customers purchase or use Diodes Incorporated products for any unintended or unauthorized application, Customers shall indemnify and hold Diodes Incorporated and its representatives harmless against all claims, damages, expenses, and attorney fees arising out of, directly or indirectly, any claim of personal injury or death associated with such unintended or unauthorized application.

Products described herein may be covered by one or more United States, international or foreign patents pending. Product names and markings noted herein may also be covered by one or more United States, international or foreign trademarks.

This document is written in English but may be translated into multiple languages for reference. Only the English version of this document is the final and determinative format released by Diodes Incorporated.

LIFE SUPPORT

Diodes Incorporated products are specifically not authorized for use as critical components in life support devices or systems without the express written approval of the Chief Executive Officer of Diodes Incorporated. As used herein:

A. Life support devices or systems are devices or systems which:

1. are intended to implant into the body, or
2. support or sustain life and whose failure to perform when properly used in accordance with instructions for use provided in the labeling can be reasonably expected to result in significant injury to the user.

B. A critical component is any component in a life support device or system whose failure to perform can be reasonably expected to cause the failure of the life support device or to affect its safety or effectiveness.

Customers represent that they have all necessary expertise in the safety and regulatory ramifications of their life support devices or systems, and acknowledge and agree that they are solely responsible for all legal, regulatory and safety-related requirements concerning their products and any use of Diodes Incorporated products in such safety-critical, life support devices or systems, notwithstanding any devices- or systems-related information or support that may be provided by Diodes Incorporated. Further, Customers must fully indemnify Diodes Incorporated and its representatives against any damages arising out of the use of Diodes Incorporated products in such safety-critical, life support devices or systems.

Copyright © 2018, Diodes Incorporated

www.diodes.com

单击下面可查看定价，库存，交付和生命周期等信息

[>>Diodes Incorporated\(达达科技\(美台\)\)](#)