



A Product Line of
Diodes Incorporated



SPECIFICATION FOR APPROVAL

CUSTOMER _____

NOMINAL FREQUENCY _____ 16.000000 MHz _____




HOLDER TYPE _____ TYPE MN 7.0x5.0 SEAM SEALED CRYSTAL CLOCK OSCILLATOR _____

SPEC. NO. (P/N) _____ MN1600001Q _____

CUSTOMER P/N _____

ISSUE DATE _____ September 10, 2018 _____

VERSION _____ C _____

APPROVED	PREPARED	QA
		

Diodes Incorporated

No.2, Tzu-Chiang 5th Rd, Chung Li Industrial Park,
Chung Li City, Taoyuan County, Taiwan (R.O.C.)
TEL: 886-3-451-8888
FAX: 886-3-461-3865
<https://www.diodes.com>

- *Pb-free
- *RoHS Compliant
- *HF-Halogen Free
- *REACH Compliant
- *AEC-Q200 Compliant

TYPE MN 7.0x5.0 SEAM SEALED CRYSTAL CLOCK OSCILLATOR

MN1600001Q

VER. C 10-Sep-18

VERSION HISTORY

Version No.	Version Date	Description	Notes
A	Nov.19,2013	Initial Release	
B	Nov.18,2015	Modified test circuit	
C	Sep.10,2018	Modified test circuit & Updated logo	



TYPE MN 7.0x5.0 SEAM SEALED CRYSTAL CLOCK OSCILLATOR

MN1600001Q

VER. C 10-Sep-18

ELECTRICAL SPECIFICATIONS

SRe Part Number : MN1600001Q

Item	Symbol	Specifications	Units	Notes
Nominal Frequency	Fo	16.000000	MHz	
Frequency Stability	FT	± 25	ppm	**See note
Operating Temperature Range	TR	-40 to +85	°C	
Supply Voltage	V _{DD}	+3.3 ± 10%	V	
Logic Type	LT	LVC MOS		
Supply Current, Output Enabled	I _{DD} /OE	20	mA	Max.
Supply Current, Output Disabled	I _{DD} /OD	10	µA	Max.
Duty Cycle (Symmetry)	DC/SY	45 / 55	%	Measured 50% of Waveform
Rise / Fall Time	T _R /T _F	3	ns	Max. Measured at 10 / 90% of Waveform
Output Voltage V _{OL}		10% V _{DD}	V	Max.
Output Voltage V _{OH}		90% V _{DD}	V	Min.
Output Load	CL	15	pF	Max.
Down Spread		-1.00	%	
Start Up Time		10	ms	Max.
EMI Reduction		-7	dBc	Min (-12dBc typ)
Storage Temperature Range		-55 to +125	°C	

※ This product doesn't include harmful substance that stipulated by SONY SS-00259 Level 1 and S-AT2-001 Level 1 standard. RoHS Compliant (Pb - Free).

**Stability includes all combinations of Operating Temperature, Load changes, rated Input (Supply) Voltage changes, Initial Calibration Tolerance (25°C), Aging (1 year at 25°C Average Effective Ambient Temperature), Shock and Vibration.

Output Enable / Disable Function

Parameter	Min.	Typ.	Max.	Units	Notes
Input Voltage (Pin1), Output Enable	0.7V _{DD}			V	Or Open
Input Voltage (Pin1), Output Disable (low power standby)			0.3V _{DD}	V	Output is Hi-Z

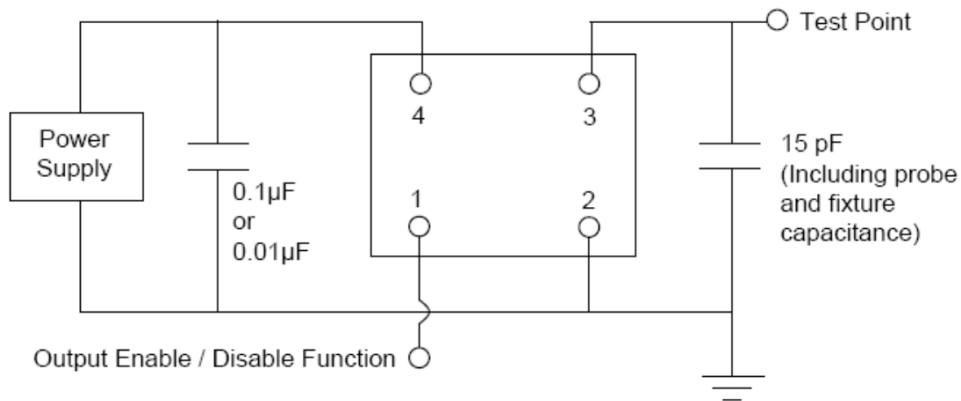


TYPE MN 7.0x5.0 SEAM SEALED CRYSTAL CLOCK OSCILLATOR

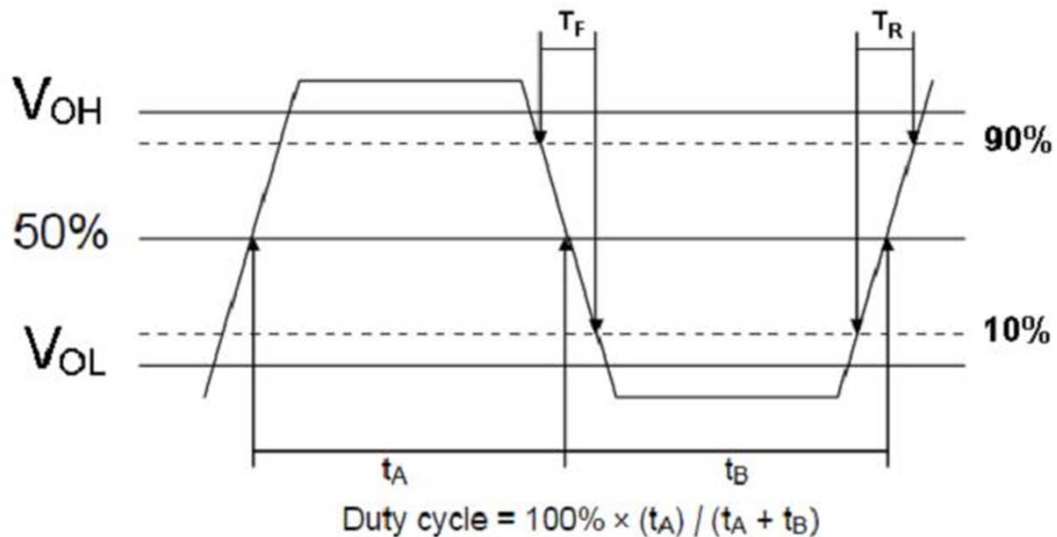
MN1600001Q

VER. C 10-Sep-18

TEST CIRCUIT



OUTPUT WAVEFORM



TYPE MN 7.0x5.0 SEAM SEALED CRYSTAL CLOCK OSCILLATOR

MN1600001Q

VER. C 10-Sep-18

AEC-Q200 RELIABILITY TEST SPECIFICATIONS:

1. Initial

- 1.1 Physical Dimensions: JESD22, Method JB1-100
- 1.2 External Visual: MIL-STD-883, Method 2009
- 1.3 Freq. Vs. Temperature: Per Specification/Datasheet

2. Mechanical

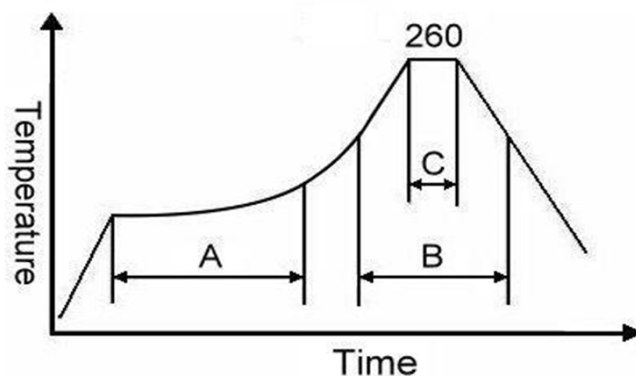
- 2.1 Mechanical Shock: MIL-STD-202 Method 213
- 2.2 Vibration: MIL-STD-202 Method 204
- 2.3 Solderability: J-STD-002
- 2.4 Board Flex: AEC Q200-005
- 2.5 Terminal Strength (SMD): AEC Q200-006

3.Environmental

- 3.1 Temp Cycle: JESD22, Method JA-104
- 3.2 Resistance to Solder Heat: MIL-STD-202 Method 210
- 3.3 High Temperature Operating Life: MIL-STD-202, Method 108
- 3.4 High Temp Exposure: MIL-STD-202, Method 108
- 3.5 High Temp & High humidity: MIL-STD-202, Method 103
- 3.6 Thermal Shock: MIL-STD-202, Method 107

SUGGESTED IR REFLOW PROFILE

*As per IPC-JEDEC J-STD-020D



Note:

	Stage	Temperature	Time
A	Preheat	150~200°C	60~120 Sec
B	Primary Heat	217°C	60~150 Sec
C	Peak	260°C	10 Sec

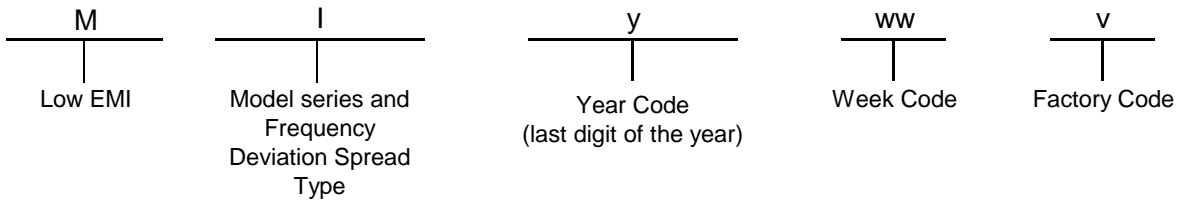
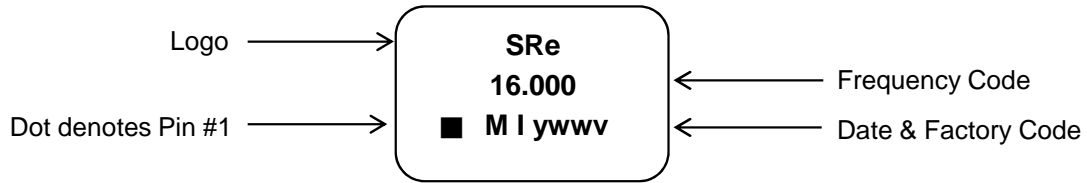
DIODES
INCORPORATED

TYPE MN 7.0x5.0 SEAM SEALED CRYSTAL CLOCK OSCILLATOR

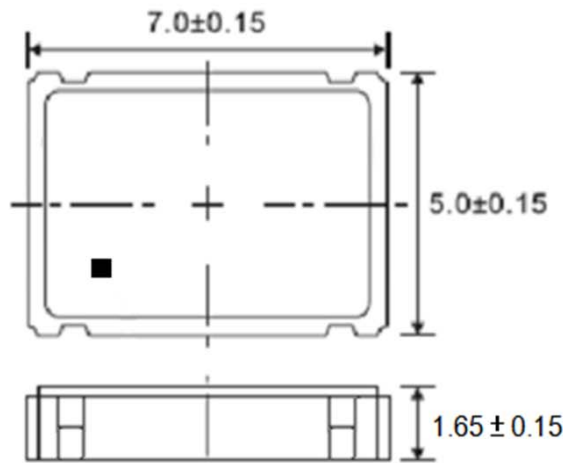
MN1600001Q

VER. C 10-Sep-18

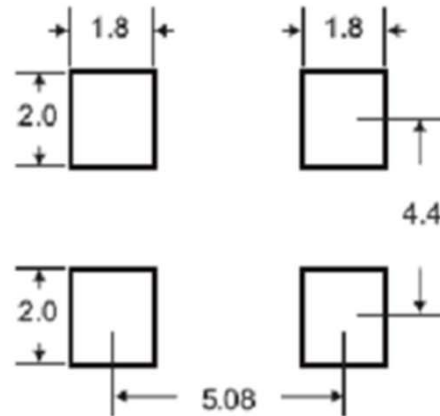
MARKING



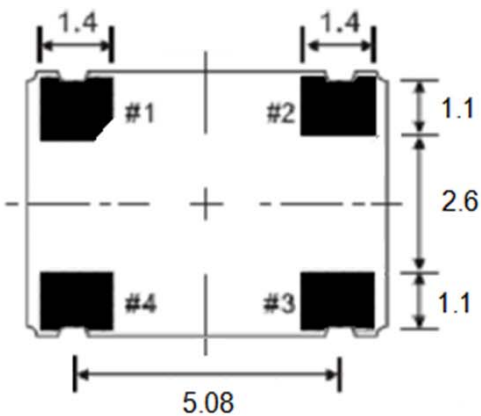
MECHANICAL DRAWINGS (Scale:None. Dimensions are in mm.)



Recommended Land Pattern*



*Extended high frequency power decoupling is recommended (see test circuit for minimum recommendation). To ensure optimal performance, do not route traces beneath the package.



(Bottom View)

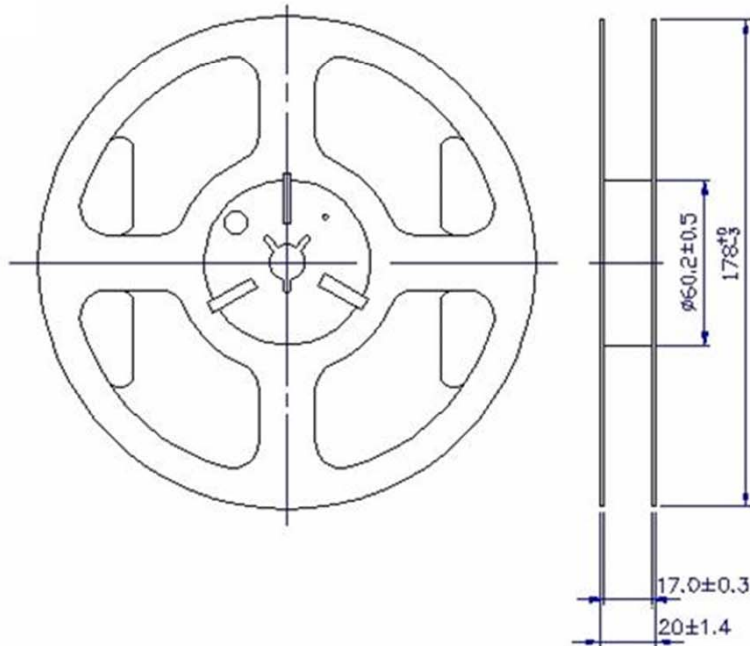
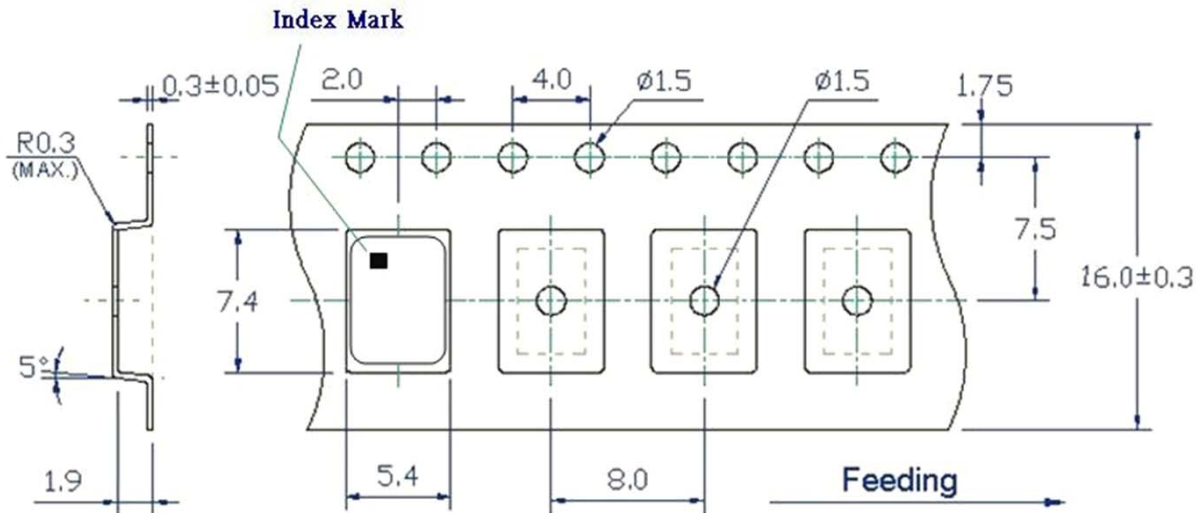
Pin	Function
1	OE
2	Ground
3	Clock Output
4	V _{DD}

TYPE MN 7.0x5.0 SEAM SEALED CRYSTAL CLOCK OSCILLATOR

MN1600001Q

VER. C 10-Sep-18

TAPE & REEL



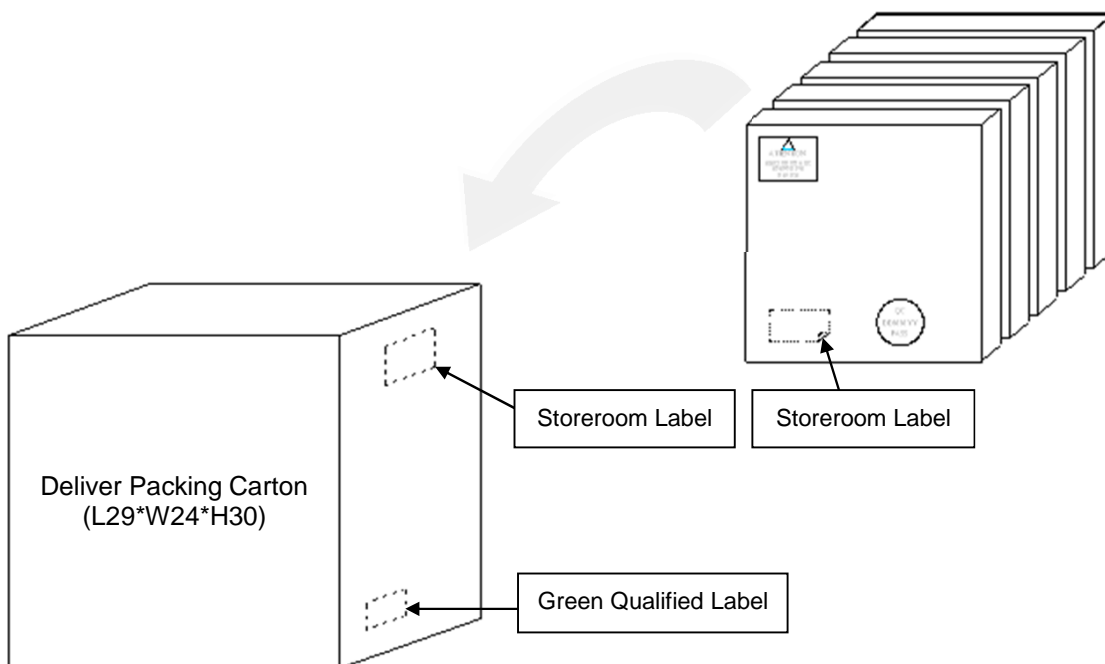
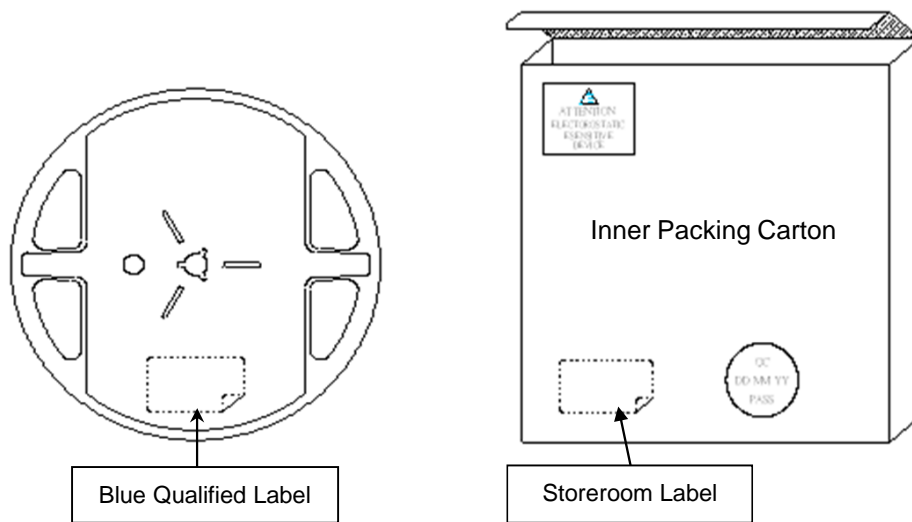
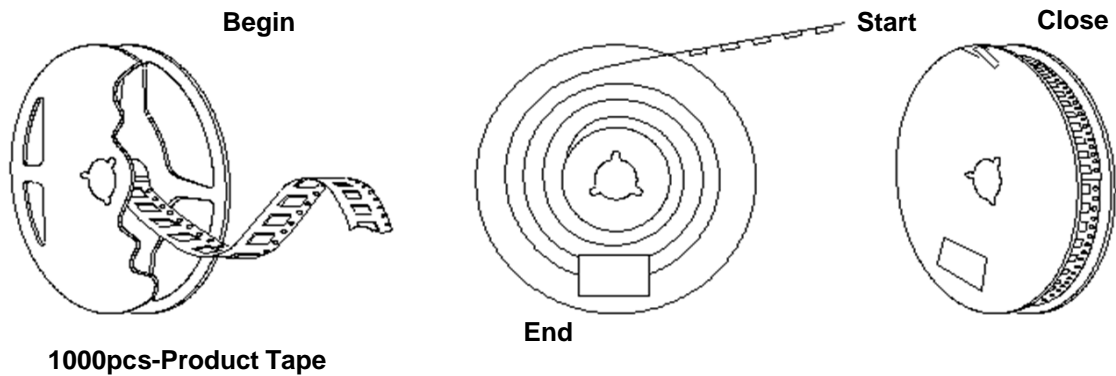
1. 230mm minimum leader which consist of carrier and/or tape followed by a minimum of 160mm of empty carrier tape sealed with cover tape.
2. 160mm minimum trailer of empty carrier tape sealed with cover tape.

TYPE MN 7.0x5.0 SEAM SEALED CRYSTAL CLOCK OSCILLATOR

MN1600001Q

VER. C 10-Sep-18

PACKING



单击下面可查看定价，库存，交付和生命周期等信息

[>>Diodes Incorporated\(达达科技\(美台\)\)](#)