

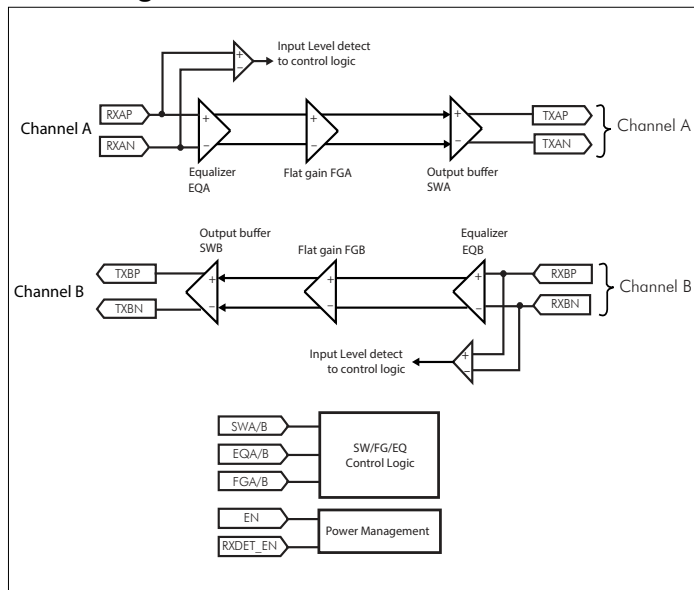
PI3EQX1002B1

1-Port USB3.1 Gen-2 ReDriver

Features

- 5 & 10Gbps serial link with linear equalizer.
- USB3.1 and USB3.0 Compatible
- Full Compliancy to USB3.1 Super Speed Standard
- Two 10Gbps differential signal pairs
- Pin Adjustable Receiver Equalization
- Pin Adjustable output linear swing
- Pin Adjustable Flat Gain
- 100Ω Differential CML I/O's
- Automatic Receiver Detect
- Auto "Slumber" mode for adaptive power management
- Single Supply Voltage: 3.3V
- Industrial Temperature Range: -40°C to 85°C
- Totally Lead-Free & Fully RoHS Compliant (Notes 1 & 2)
- Halogen and Antimony Free. "Green" Device (Note 3)
- For automotive applications requiring specific change control (i.e. parts qualified to AEC-Q100/101/200, PPAP capable, and manufactured in IATF 16949 certified facilities), please [contact us](mailto:contact_us) or your local Diodes representative.
<https://www.diodes.com/quality/product-definitions/>
- Packaging:
 - ◆ 30-pin, TQFN 2.5x4.5 mm (ZL30)

Block Diagram



Description

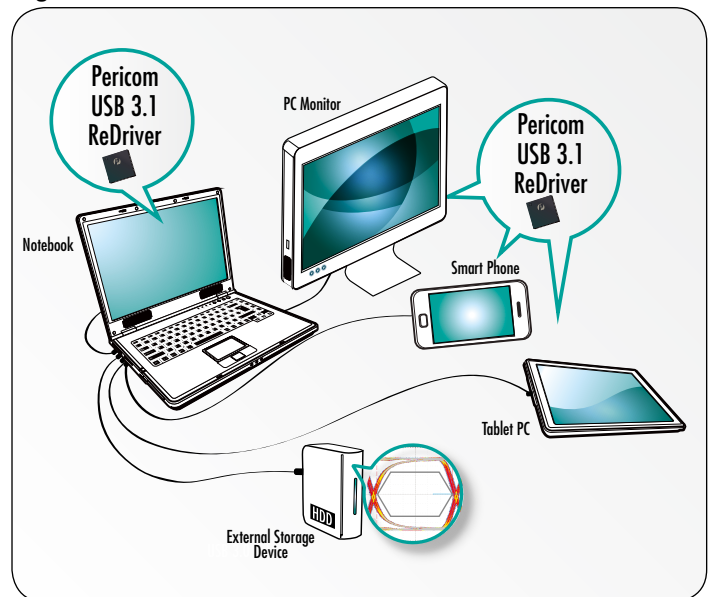
The PI3EQX1002B1 is a low power, high performance 10.0 Gbps 1-Port USB 3.1 linear ReDriver™ designed specifically for the USB 3.1 protocol.

The device provides programmable equalization, linear swing and flat gain to optimize performance over a variety of physical mediums by reducing Inter-Symbol Interference. PI3EQX1002B1 supports two 100Ω Differential CML data I/O's between the Protocol ASIC to a switch fabric, over cable, or to extend the signals across other distant data pathways on the user's platform.

The integrated equalization circuitry provides flexibility with signal integrity of the signal before the ReDriver. Each channel operates fully independently. The channels' input signal level determines whether the output is active.

The PI3EQX1002B1 also includes an automatic receiver detect function. The receiver detection loop will be active again if the corresponding channel's signal detector is idle for longer than 7.3mS. The channel will then move to Unplug Mode if load not detected, or it will return to Low Power Mode (Slumber Mode) due to inactivity.

Figure 1

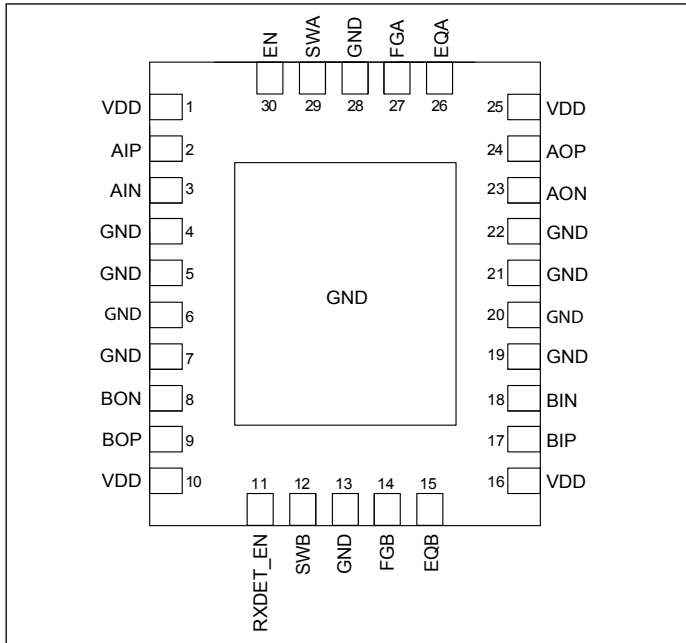


Notes:

1. No purposely added lead. Fully EU Directive 2002/95/EC (RoHS), 2011/65/EU (RoHS 2) & 2015/863/EU (RoHS 3) compliant.
2. See <https://www.diodes.com/quality/lead-free/> for more information about Diodes Incorporated's definitions of Halogen- and Antimony-free, "Green" and Lead-free.
3. Halogen- and Antimony-free "Green" products are defined as those which contain <900ppm bromine, <900ppm chlorine (<1500ppm total Br + Cl) and <1000ppm antimony compounds.

ReDriver is a trademark of Diodes Incorporated.

Pin Diagram (30-pin, TQFN 2.5x4.5mm) ZL30



Pin Description

Pin #	Pin Name	Type	Description
1, 10, 16, 25	VDD	Power	3.3V power supply, +/-0.3V
27, 14	FGA FGB	Input	The DC flat gain selection. 4-level input pins. With internal 100KΩ pull-up resistor and 200kΩ pull-down resistor.
29, 12	SWA SWB	Input	The Output Swing selection. 4-level input pins. With internal 100KΩ pull-up resistor and 200kΩ pull-down resistor.
26, 15	EQA EQB	Input	The EQ selection. 4-level input pins. With internal 100KΩ pull-up resistor and 200kΩ pull-down resistor.
2, 3 17, 18	AIP, AIN BIP, BIN	Input	CML input terminals. With selectable input termination between 50Ω to VDD, 67kΩ to VbiasRx or 67kΩ to GND.
24, 23 9, 8	AOP, AON BOP, BON	Output	CML output terminals. With selectable output termination between 50Ω to VDD, 6kΩ to VDD, 6kΩ to VbiasTx or Hi-Z
11	RXDET_EN	Input	Receiver detection Enable pin. With internal 300kΩ pull-up resistor. “High” – Receiver detection is enabled. “Low” – Receiver detection is disabled.
30	EN	Input	Channel Enable. With internal 300kΩ pull-up resistor. “High” – Channel is in normal operation. “Low” – Channel is in power down mode.
4, 5, 6, 7, 13, 19, 20, 21, 22, 28, Center Pad	GND	GND	Supply Ground

Power Management

Notebooks, netbooks, and other power sensitive consumer devices require judicious use of power in order to maximize battery life. In order to minimize the power consumption of our devices, Diodes has added an additional adaptive power management feature. When a signal detector is idle for longer than 1.3ms, the corresponding channel will move to low power mode ONLY. (It means both channels will move to low power mode individually).

In the low power mode, the signal detector will still be monitoring the input channel. If a channel is in low power mode and the input signal is detected, the corresponding channel will wake-up immediately. If a channel is in low power mode and the signal detector is idle longer than 6ms, the receiver detection loop will be active again. If load is not detected, then the Channel will move to Device Unplug Mode and monitor the load continuously. If load is detected, it will return to Low Power Mode and receiver detection will be active again per 6ms.

Operating Modes

Mode	R_{IN}	R_{OUT}
PD	67k Ω to GND	HIZ
Unplug Mode	67k Ω to VbiasRx	6k Ω to VbiasTx
Deep Slumber Mode	50 Ω to Vdd	6k Ω to VbiasTx
Slumber Mode	50 Ω to Vdd	6k Ω to Vdd
Active Mode	50 Ω to Vdd	50 Ω to Vdd

Equalization Setting:

EQA/B are the selection pins for the equalization selection

<i>EQA/B</i>	Equalizer setting (dB)	
	@2.5GHz	@5GHz
0 (Tie 1KΩ to GND)	6.7	12.4
R (Tie 68KΩ to GND)	3.5	8.0
F (Leave Open)	5.3	10.6
1 (Tie 1KΩ to VDD)	8.4	14.6

Flat Gain Setting:

FGA/B are the selection pins for the DC gain

<i>FGA/B</i>	Flat Gain Settings <i>dB</i>
0 (Tie 1KΩ to GND)	-1.6
R (Tie 68KΩ to GND)	-0.5
F (Leave Open)	1.0
1 (Tie 1KΩ to VDD)	2.7

-1dB compression point linear Swing Setting:

SWA/B are the selection pins for the output linear swing setting

<i>SWA/B</i>	Output Linear Swing Settings <i>mVppd</i>
0 (Tie 1KΩ to GND)	800
R (Tie 68KΩ to GND)	1200
F (Leave Open)	1000 (Default)
1 (Tie 1KΩ to VDD)	1100

Channel Enable Setting:

EN is the channel enable pin

<i>EN</i>	Channel Enable Setting <i>Setting</i>
0	Disabled
1	Enabled (Default)

Receiver Detection Setting:

RXDET_EN is the receiver detection pin

<i>RXDET_EN</i>	Receiver Detection Setting <i>Setting</i>
0	Disabled
1	Enabled (Default)

Maximum Ratings

(Above which useful life may be impaired. For user guidelines, not tested.)

Storage Temperature.....	-65°C to +150°C
Supply Voltage to Ground Potential.....	-0.5V to +4.6V
DC SIG Voltage.....	-0.5V to V _{DD} +0.5V
Output Current.....	-25mA to +25mA
ESD, Human Body Model.....	-2kV to +2kV
Power Dissipation Continuous.....	1.0W

Note:

Stresses greater than those listed under MAXIMUM RATINGS may cause permanent damage to the device. This is a stress rating only and functional operation of the device at these or any other conditions above those indicated in the operational sections of this specification is not implied. Exposure to absolute maximum rating conditions for extended periods may affect reliability.

Control Pin Specifications (VDD = 3.3 ± 0.3V TA = -40°C to 85°C)

Symbol	Parameter	Min.	Typ.	Max.	Units
2-level control pins					
V _{IH}	DC input logic High	VDD*0.65			V
V _{IL}	DC input logic Low			VDD*0.35	V
I _{IH}	Input High current			25	uA
I _{IL}	Input Low current	-25			uA
4-level control pins					
V _{IH}	DC input logic "High"	0.92*VDD	VDD		V
V _{IF}	DC input logic "Float"	0.59*VDD	0.67*VDD	0.75*VDD	V
V _{IR}	DC input logic "With Rext to GND"	0.25*VDD	0.33*VDD	0.41*VDD	V
V _{IL}	DC input logic "Low"		GND	0.08*VDD	V
I _{IH}	Input High current			50	uA
I _{IL}	Input Low current	-50			uA
Rext	External resistor connects to GND (±5%)	64.6	68	71.4	kΩ

AC/DC Electrical Characteristics (VDD = 3.3 ± 0.3V TA = -40°C to 85°C)

Symbol	Parameter	Conditions	Min.	Typ.	Max.	Units
Power and Latency						
V _{dd-3.3}	Supply voltage		3.0	3.3	3.6	V
I _{active}	Active mode current consumption	EN=1 (VDD=3.3V, 10Gbps, compliance test pattern, SWx=F, RXDET_EN=High)		130	167	mA
I _{slumber}	Slumber mode current consumption	EN=1 (VDD=3.3V, no input signal longer than T _{slumber} , RXDET_EN=High)		16	19	mA
I _{DeepSlumber}	Deep slumber mode current consumption	EN=1 (VDD=3.3V, no input signal longer than T _{DeepSlumber} , RXDET_EN=High)		0.4	0.6	
I _{unplug}	Unplug mode current consumption	EN=1, no output load is detected, RXDET_EN=High		0.3	0.45	
I _{pd}	Power down mode current consumption	EN=0		10	50	μA
t _{pd}	Latency	From input to output			2	ns

AC/DC Electrical Characteristics Cont.

Symbol	Parameter	Conditions	Min.	Typ.	Max.	Units
CML Receiver Input (100Ω differential)						
Receiver Electrical Specification						
$C_{rxparasitic}$	The parasitic capacitor for RX				1.0	pF
$R_{RX-DIFF-DC}$	DC Differential Input Impedance		72		120	Ω
$R_{RX-SINGLE_DC}$	DC single ended input impedance	DC impedance limits are need to guarantee RxDet. Measured with respect to GND over a voltage of 500mV max	18		30	
$Z_{RX-HIZ-DC-PD}$	DC input CM input impedance for $V > 0$ during reset or power down	($V_{cm}=0$ to 500mV)	25			kΩ
$C_{ac_coupling}$	AC coupling capacitance		75		265	nF
$V_{RX-CM-AC-P}$	Common mode peak voltage	AC up to 5GHz			150	mVpeak
$V_{RX-CM-DC-Active-Idle-Delta-P}$	Common mode peak voltage $ \text{Avg}_{u0}(V_{TX-D+} + V_{TX-D-})/2 - \text{Avg}_{u1}(V_{TX-D+} + V_{TX-D-})/2 $	Between U0 and U1. AC up to 5GHz			200	mVpeak
Transmitter Electrical Specification						
$V_{TX-DIFF-PP}$	Output differential p-p voltage swing	Differential Swing $ V_{TX-D+} - V_{TX-D-} $			1.2	Vppd
$R_{TX-DIFF-DC}$	DC Differential TX Impedance		72		120	Ω
$V_{TX-RCV-DET}$	The amount of voltage change allowed during RxDet				600	mV
$C_{ac_coupling}$	AC coupling capacitance		75		265	nF
$T_{TX-EYE}(10\text{Gbps})$	Transmitter eye, Include all jitter	At the silicon pad. 10Gbps	0.646			UI
$T_{TX-EYE}(5\text{Gbps})$	Transmitter eye, Include all jitter	At the silicon pad. 5Gbps	0.625			UI
$T_{TX-DJ-DD}(10\text{Gbps})$	Transmitter deterministic jitter	At the silicon pad. 10Gbps			0.17	UI
$T_{TX-DJ-DD}(5\text{Gbps})$	Transmitter deterministic jitter	At the silicon pad. 5Gbps			0.205	UI
$C_{txparasitic}$	The parasitic capacitor for TX				1.1	pF
$R_{TX-DC-CM}$	Common mode DC output Impedance		18		30	Ω
$V_{TX-DC-CM}$	The instantaneous allowed DC common mode voltage at the connector side of the AC coupling capacitors	$ V_{TX-D+} + V_{TX-D-} /2$	0		2.2	V
V_{TX-C}	Common-Mode Voltage	$ V_{TX-D+} + V_{TX-D-} /2$	VDD-2V		VDD	V
$V_{TX-CM-AC-PP-Active}$	Active mode TX AC common mode voltage	$V_{TX-D+} + V_{TX-D-}$ for both time and amplitude			100	mVpp
$V_{TX-CM-DC-Active_Idle-Delta}$	Common mode delta voltage $ \text{Avg}_{u0}(V_{TEX-D+} + V_{TX-D-})/2 - \text{Avg}_{u1}(V_{TX-D+} + V_{TX-D-})/2 $	Between U0 to U1			200	mV-peak

AC/DC Electrical Characteristics Cont.

Symbol	Parameter	Conditions	Min.	Typ.	Max.	Units
$V_{TX-Idle-Diff-AC-pp}$	Idle mode AC common mode delta voltage $ V_{TX-D+} - V_{TX-D-} $	Between Tx+ and Tx- in idle mode. Use the HPF to remove DC components. =1/LPF. No AC and DC signals are applied to Rx terminals.			10	mVppd
$V_{TX-Idle-Diff-DC}$	Idle mode DC common mode delta voltage $ V_{TX-D+} - V_{TX-D-} $	Between Tx+ and Tx- in idle mode. Use the LPF to remove DC components. =1/HPF. No AC and DC signals are applied to Rx terminals.			10	mV
Channel Performance						
G_p	Peaking gain (Compensation at 5GHz, relative to 100MHz, 100mV _p -p sine wave input)	EQ _x =0		12.4		dB
		EQ _x =R		8		
		EQ _x =F		10.6		
		EQ _x =1		14.6		
		Variation around typical	-3		+3	dB
G_f	Flat gain (100MHz, EQ _x =F, SW _x =F)	FQ _x =0		-1.6		dB
		FQ _x =R		-0.5		
		FQ _x =F		1		
		FQ _x =1		2.7		
		Variation around typical	-3		+3	dB
V_{SW_100M}	-1dB compression point output swing (at 100MHz)	SW _x =0		800		mVppd
		SW _x =R		1200		
		SW _x =F		1000		
		SW _x =1		1100		
V_{SW_5G}	-1dB compression point output swing (at 5GHz)	SW _x =0		750		mVppd
		SW _x =R		950		
		SW _x =F		850		
		SW _x =1		900		
DDNEXT	Differential near-end crosstalk ⁽¹⁾	100MHz to 5GHz, RXDET_EN=1, Figure 2		-40		dB
$V_{noise-input}$	Input-referred noise	100MHz to 5GHz, FG _x =1, EQ _x =R, SW=F, Figure 3		0.6		mV _{RMS}
		100MHz to 5GHz, FG _x =1, EQ _x =1, SW=F, Figure 3		0.5		
$V_{noise-output}$	Output-referred noise ⁽²⁾	100MHz to 5GHz, FG _x =1, EQ _x =R, SW=F, Figure 3		0.8		mV _{RMS}
		100MHz to 5GHz, FG _x =1, EQ _x =1, SW=F, Figure 3		1		

AC/DC Electrical Characteristics Cont.

Symbol	Parameter	Conditions	Min.	Typ.	Max.	Units
Signal and Frequency Detectors						
V_{th_upm}	Unplug mode detector threshold	Threshold of LFPS when the input impedance of the redriver is 67kohm to V_{biasRx} only. Used in the unplug mode.	200		800	mVppd
V_{th_dsm}	Deep slumber mode detector threshold	LFPS signal threshold in Deep slumber mode	100		600	mVppd
V_{th_am}	Active mode detector threshold	Signal threshold in Active and slumber mode	45		175	mVppd
F_{th}	LFPS frequency detector	Detect the frequency of the input CLK pattern	100		400	MHz

Note:

1. Measured using a vector-network analyzer (VNA) with -15dbm power level applied to the adjacent input. The VNA detects the signal at the output of the victim channel. All other inputs and outputs are terminated with 50Ω.
2. Guaranteed by design and characterization.

PI3EQX1002B1

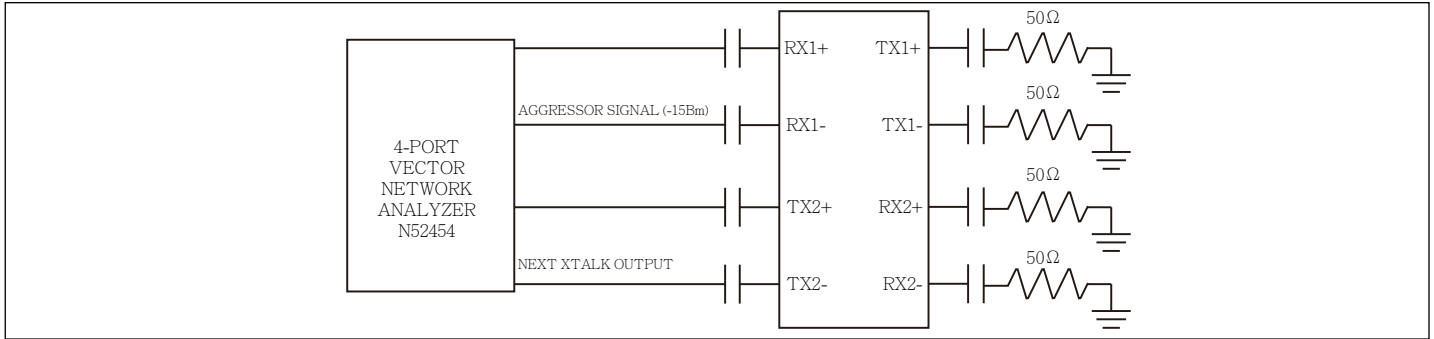


Figure 2. Channel-isolation test configuration

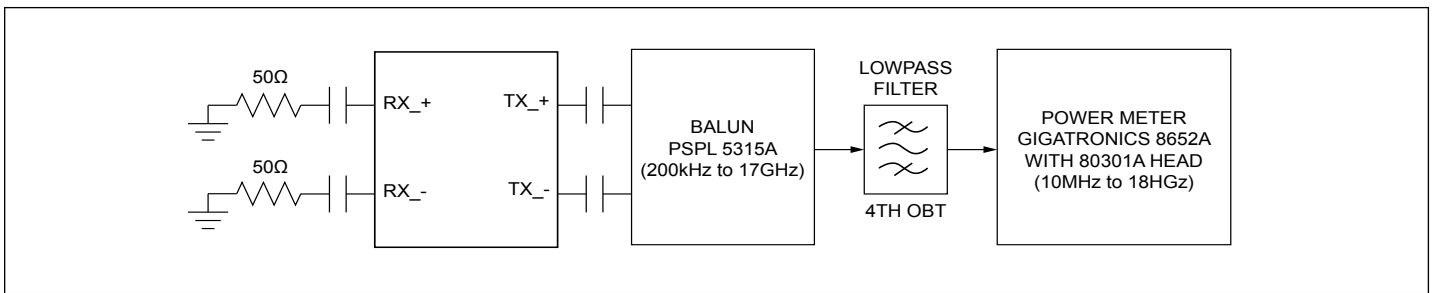


Figure 3. Noise test configuration

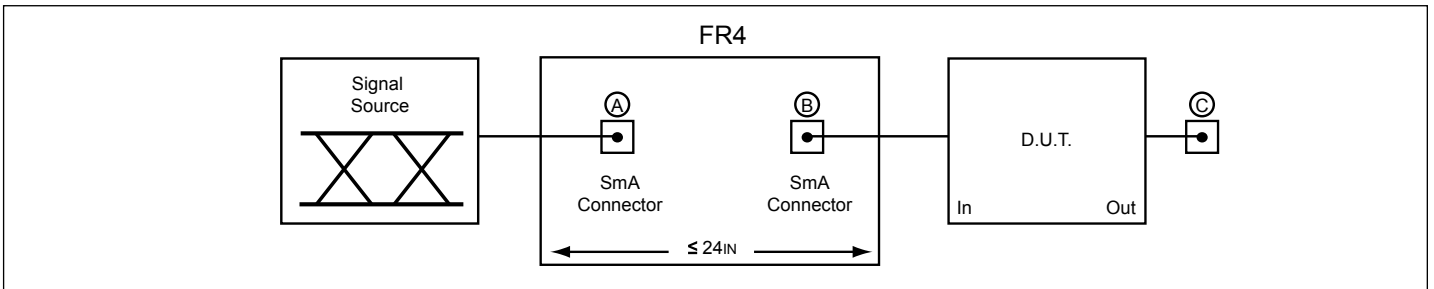
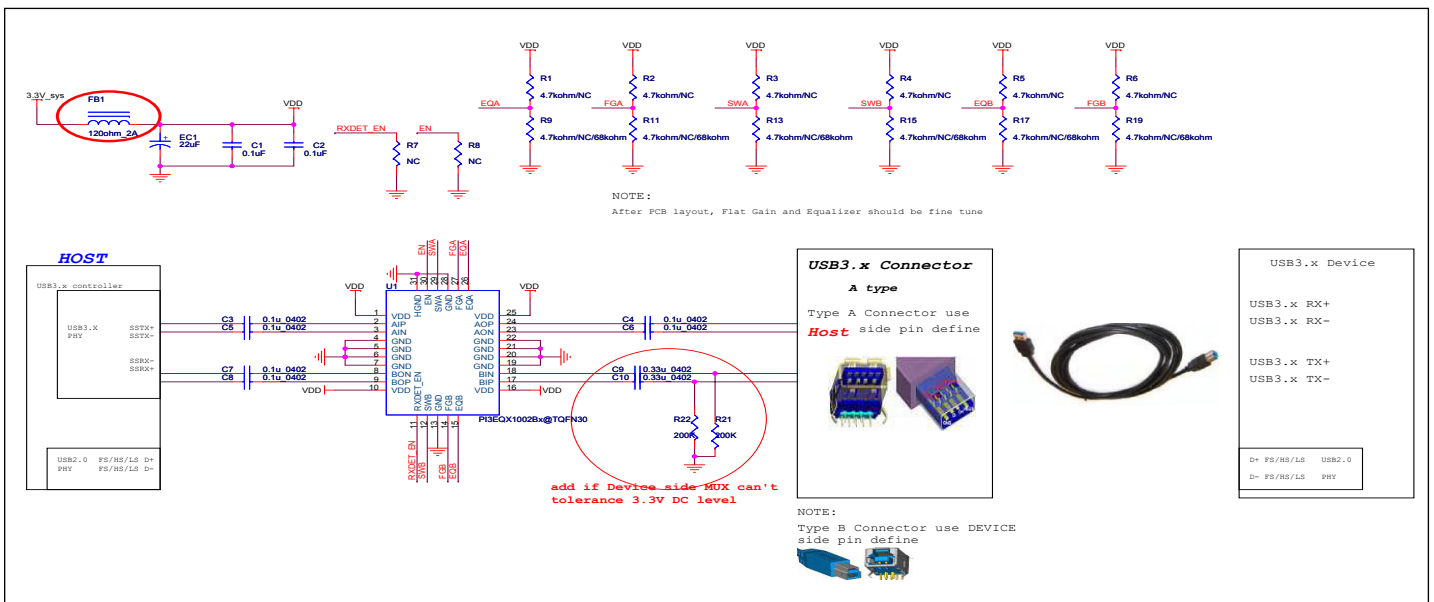


Figure 4. Test Condition Referenced in the Electrical Characteristic Table

Application Schematics



PCB Layout Guideline

To provide a clean power supply for Diodes high-speed device, few recommendations are listed below:

- Power (VDD) and ground (GND) pins should be connected to corresponding power planes of the printed circuit board directly without passing through any resistor.
- The thickness of the PCB dielectric layer should be minimized such that the VDD and GND planes create low inductance paths.
- One low-ESR 0.1uF decoupling capacitor should be mounted at each VDD pin or should supply bypassing for at most two VDD pins. Capacitors of smaller body size, i.e. 0402 package, is more preferable as the insertion loss is lower. The capacitor should be placed next to the VDD pin.
- One capacitor with capacitance in the range of 4.7uF to 10uF should be incorporated in the power supply decoupling design as well. It can be either tantalum or an ultra-low ESR ceramic.
- A ferrite bead for isolating the power supply for Diodes high-speed device from the power supplies for other parts on the printed circuit board should be implemented.
- More than 3 thermal ground vias must be required on the thermal pad. 25-mil or less pad size and 14-mil or less finished hole are recommended.

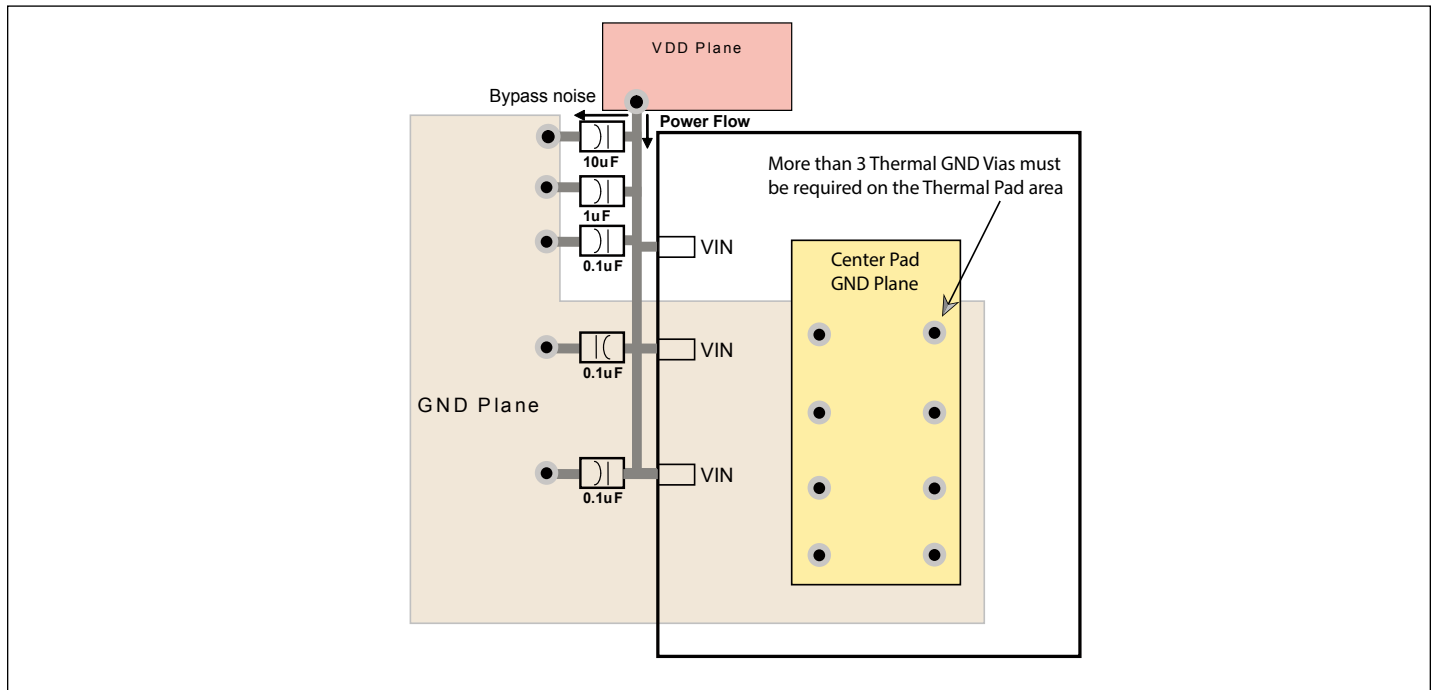
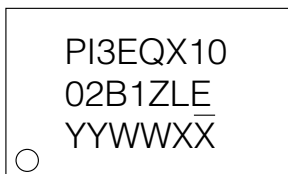


Figure 5. General Power and Ground Guideline

Part Marking

ZL Package



YY: Year

WW: Workweek

1st X: Assembly Code

2nd X: Fab Code

Packaging Mechanical: 30-TQFN (ZL)

SYMBOLS	MIN.	NOM.	MAX.
A	0.70	0.75	0.80
A1	0.00	0.02	0.05
A3	0.203 REF.		
b	0.15	0.20	0.25
D	2.40	2.50	2.60
E	4.40	4.50	4.60
D2	1.15	1.20	1.25
E2	3.15	3.20	3.25
e	0.40 BSC		
L	0.25	0.30	0.35
K	0.20	—	—

Notes:
 1. All dimensions are in mm. Angles in degrees.
 2. Refer JEDEC MO-220.
 3. Recommended land pattern is for reference only.

PERICOM[®]
Enabling Serial Connectivity

DATE: 10/21/13

DESCRIPTION: 30-contact, Thin Fine Pitch Quad Flat No lead Package (TQFN)

PACKAGE CODE: ZL

DOCUMENT CONTROL #: PD-2172

REVISION: --

14-0006

For latest package info.

please check: <http://www.diodes.com/design/support/packaging/pericom-packaging/packaging-mechanicals-and-thermal-characteristics/>

Ordering Information

Ordering Number	Package Code	Package Description
PI3EQX1002B1ZLEX	ZL	30-contact, Thin Fine Pitch Quad Flat No lead Package (TQFN)

Notes:

1. No purposely added lead. Fully EU Directive 2002/95/EC (RoHS), 2011/65/EU (RoHS 2) & 2015/863/EU (RoHS 3) compliant.
2. See <https://www.diodes.com/quality/lead-free/> for more information about Diodes Incorporated's definitions of Halogen- and Antimony-free, "Green" and Lead-free.
3. Halogen- and Antimony-free "Green" products are defined as those which contain <900ppm bromine, <900ppm chlorine (<1500ppm total Br + Cl) and <1000ppm antimony compounds.
4. E = Pb-free and Green
5. X suffix = Tape/Reel

IMPORTANT NOTICE

DIODES INCORPORATED MAKES NO WARRANTY OF ANY KIND, EXPRESS OR IMPLIED, WITH REGARDS TO THIS DOCUMENT, INCLUDING, BUT NOT LIMITED TO, THE IMPLIED WARRANTIES OF MERCHANTABILITY AND FITNESS FOR A PARTICULAR PURPOSE (AND THEIR EQUIVALENTS UNDER THE LAWS OF ANY JURISDICTION).

Diodes Incorporated and its subsidiaries reserve the right to make modifications, enhancements, improvements, corrections or other changes without further notice to this document and any product described herein. Diodes Incorporated does not assume any liability arising out of the application or use of this document or any product described herein; neither does Diodes Incorporated convey any license under its patent or trademark rights, nor the rights of others. Any Customer or user of this document or products described herein in such applications shall assume all risks of such use and will agree to hold Diodes Incorporated and all the companies whose products are represented on Diodes Incorporated website, harmless against all damages.

Diodes Incorporated does not warrant or accept any liability whatsoever in respect of any products purchased through unauthorized sales channel.

Should Customers purchase or use Diodes Incorporated products for any unintended or unauthorized application, Customers shall indemnify and hold Diodes Incorporated and its representatives harmless against all claims, damages, expenses, and attorney fees arising out of, directly or indirectly, any claim of personal injury or death associated with such unintended or unauthorized application.

Products described herein may be covered by one or more United States, international or foreign patents pending. Product names and markings noted herein may also be covered by one or more United States, international or foreign trademarks.

This document is written in English but may be translated into multiple languages for reference. Only the English version of this document is the final and definitive format released by Diodes Incorporated.

LIFE SUPPORT

Diodes Incorporated products are specifically not authorized for use as critical components in life support devices or systems without the express written approval of the Chief Executive Officer of Diodes Incorporated. As used herein:

A. Life support devices or systems are devices or systems which:

1. are intended to implant into the body, or

2. support or sustain life and whose failure to perform when properly used in accordance with instructions for use provided in the labeling can be reasonably expected to result in significant injury to the user.

B. A critical component is any component in a life support device or system whose failure to perform can be reasonably expected to cause the failure of the life support device or to affect its safety or effectiveness.

Customers represent that they have all necessary expertise in the safety and regulatory ramifications of their life support devices or systems, and acknowledge and agree that they are solely responsible for all legal, regulatory and safety-related requirements concerning their products and any use of Diodes Incorporated products in such safety-critical, life support devices or systems, notwithstanding any devices- or systems-related information or support that may be provided by Diodes Incorporated. Further, Customers must fully indemnify Diodes Incorporated and its representatives against any damages arising out of the use of Diodes Incorporated products in such safety-critical, life support devices or systems.

Copyright © 2016, Diodes Incorporated

www.diodes.com

单击下面可查看定价，库存，交付和生命周期等信息

[>>Diodes Incorporated\(达达科技\(美台\)\)](#)