

PI3CSW12

High-Speed I3C 1:2 Multiplexer/DeMultiplexer Switch with Signal Enable

Features

- V_{DD} Operation at 2.5V and 3.3V
- V_{I/O} Accepts Signals up to 5.5V
- 1.8-V Compatible Control-Pin Inputs
- Low-Power Mode When \overline{OE} Is Disabled (2μA)
- r_{ON} = 6Ω Maximum
- Δr_{ON} = 0.2Ω Typical
- C_{io(on)} = 4pF Typical
- Support Over Voltage Protection
- Low Power Consumption (50μA Maximum)
- ESD Performance
 - IO Pins
 - 12KV HBM
 - 1KV CDM
 - +/-8KV contact Discharge (IEC61000-4-2)
 - VDD, GND, S, \overline{OE} Pins
 - 4KV HBM
 - 1KV CDM
- High Bandwidth (1.6GHz Typical)
- Totally Lead-Free & Fully RoHS Compliant (Notes 1 & 2)
- Halogen- and Antimony-Free. “Green” Device (Note 3)
- For automotive applications requiring specific change control (i.e. parts qualified to AEC-Q100/101/200, PPAP capable, and manufactured in IATF 16949 certified facilities), please [contact us](https://www.diodes.com/quality/product-definitions/) or your local Diodes representative.
- Packaging (Pb-free & Green):
 - 10-contact, UQFN (ZUA10)

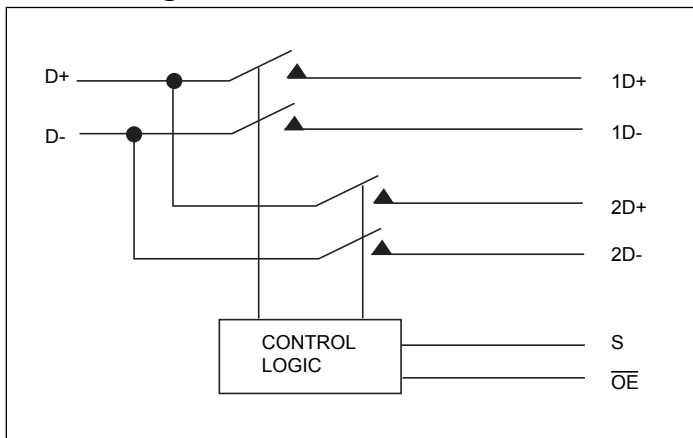
Applications

- Routes Signals for I3C
- Mobile Industry Processor Interface (MIPI) Signal Routing

Description

The PI3CSW12 is a high-bandwidth switch specially designed for the switching of high-speed I3C signals in communication and server applications, such as servers, workstations, and notebooks with hubs or controllers with limited I3C I/Os. The wide bandwidth (1.6GHz) of this switch allows signals to pass with minimum edge and phase distortion. The device multiplexes differential outputs from a I3C host device to one of two corresponding outputs. The switch is bidirectional and offers little or no attenuation of the high-speed signals at the outputs. It is designed for low bit-to-bit skew and high channel-to-channel noise isolation, and is compatible with various standards, such as high-speed I3C (up to 30Mbps).

Block Diagram



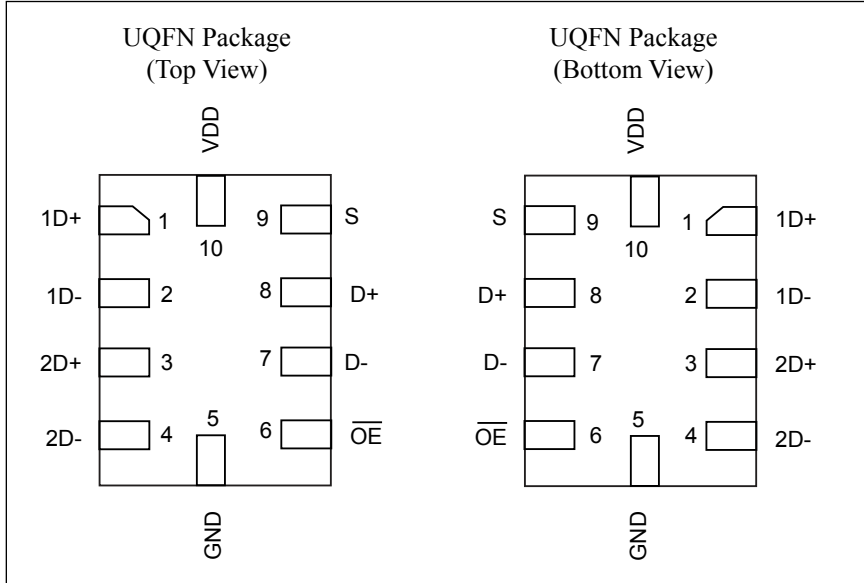
Truth Table

S	\overline{OE}	Function
X	H	Disconnect
L	L	D = 1D
H	L	D = 2D

Notes:

1. No purposely added lead. Fully EU Directive 2002/95/EC (RoHS), 2011/65/EU (RoHS 2) & 2015/863/EU (RoHS 3) compliant.
2. See <https://www.diodes.com/quality/lead-free/> for more information about Diodes Incorporated’s definitions of Halogen- and Antimony-free, “Green” and Lead-free.
3. Halogen- and Antimony-free “Green” products are defined as those which contain <900ppm bromine, <900ppm chlorine (<1500ppm total Br + Cl) and <1000ppm antimony compounds.

Pin Configuration



Pin Description

Name	Description
$\overline{\text{OE}}$	Active LOW, Output enable
S	Select input
D	COM port
nD	I/O for I3C data path (port 1 and port 2)

Absolute Maximum Ratings⁽¹⁾

Over operating free-air temperature range (unless otherwise noted)

V _{DD} Supply Voltage Range	-0.5V to 4.6V
V _{IN} Control Input Voltage Range ^(2, 3)	-0.5V to 5.5V
V _{I/O} Switch I/O Voltage Range ^(2, 3, 4)	-0.5V to 5.5V
I _{IK} Control Input Clamp Current (V _{IN} < 0)	-50mA
I _{I/OK} I/O Port Clamp Current (V _{I/O} < 0)	-50mA
I _{I/O} ON-state Switch Current ⁽⁵⁾	±120mA
Continuous Current through V _{DD} or GND	±100mA
θ _{JA} Package Thermal Impedance	
TLLGA Package	48.7°C/W
TDFN Package	243°C/W
T _{stg} Storage Temperature Range	-65 to 150°C
T _j Junction Temperature	125°C

Notes:

- Stresses beyond those listed under "absolute maximum ratings" may cause permanent damage to the device. These are stress ratings only, and functional operation of the device at these or any other conditions beyond those indicated under "recommended operating conditions" is not implied. Exposure to absolute-maximum-rated conditions for extended periods may affect device reliability.
- All voltages are with respect to ground, unless otherwise specified.
- The input and output voltage ratings may be exceeded if the input and output clamp-current ratings are observed.
- VI and VO are used to denote specific conditions for VI/O.
- II and IO are used to denote specific conditions for II/O.
- The package thermal impedance is calculated in accordance with JESD 51-7.

Recommended Operating Conditions⁽¹⁾

Symbol	Description	Parameter	Min.	Max.	Unit
V _{DD}	Supply voltage		2.3	3.6	V
V _{IH}	High-level control input voltage	V _{DD} = 2.3V to 2.7V	1.3	-	
		V _{DD} = 2.7V to 3.6V	1.4	-	
V _{IL}	Low-level control input voltage	V _{DD} = 2.3V to 2.7V		0.6	
		V _{DD} = 2.7V to 3.6V		0.6	
V _{I/O}	Data input/output voltage		0	4.6	
T _A	Operating free-air temperature		-40	85	°C

Note:

- All unused control inputs of the device must be held at V_{DD} or GND to ensure proper device operation.

Electrical Characteristics

Over operating free-air temperature range (unless otherwise noted)

Parameter	Testing Conditions	Min.	Typ.	Max.	Unit	
V_{IK}	$V_{DD} = 3.6V, 2.7V, I_I = -18\text{ mA}$			-1.2	V	
I_{IN}	Control Inputs $V_{DD} = 3.6V, 2.7V, 0V, V_{IN} = 0V\text{ to }3.6V$			± 1	μA	
$I_{OZ}^{(3)}$	$V_{DD} = 3.6V, 2.7V, V_{IN} = V_{DD}\text{ or GND}, V_O = 0V\text{ to }3.6V, V_I = 0V, \text{ Switch OFF}$			± 1		
$I_{(OFF)}$	$V_{DD} = 0V$	$V_{I/O} = 0V\text{ to }3.6V$		± 2		
		$V_{I/O} = 0\text{ to }2.7V$		± 1		
I_{CC}	$V_{DD} = 3.6V, 2.7V, V_{IN} = V_{DD}\text{ or GND}, I_{I/O} = 0\text{ V}, \text{ Switch ON or OFF}$		25	50		
I_{CC} (low power mode)	$V_{DD} = 3.6V, 2.7V, V_{IN} = V_{DD}\text{ or GND}, \text{ Switch disabled, } (\overline{OE}\text{ in high state})$			4		
$DI_{CC}^{(4)}$	Control Inputs	$V_{DD} = 2.7V, S\text{ sweeps from }1.4V\text{ to }3.3V, OE/ = 0V$		15		
		$V_{DD} = 2.7V, OE/ \text{ sweeps from }1.4V\text{ to }3.3V, S = 0V$		0.75		
C_{IN}	Control Inputs $V_{DD} = 3.3V, 2.5V, V_{IN} = 3.3V\text{ or }0V$		1	2	pF	
$C_{io(OFF)}$	$V_{DD} = 3.3V, 2.5V, V_{IN} = 3.3V\text{ or }0V, \text{ Switch OFF}$		2	3		
$C_{io(ON)}$	$V_{DD} = 3.3V, 2.5V, V_{IN} = 3.3V\text{ or }0V, \text{ Switch ON}$		4			
$r_{ON}^{(5)}$	$V_{DD} = 3V, 2.3V$	$V_I = 0V, I_O = 30\text{mA}$		4	Ω	
		$V_I = 2.4V, I_O = -15\text{mA}$		6		
$Dr_{ON}^{(6)}$	$V_{DD} = 3V, 2.3V$	$V_I = 0V, I_O = 30\text{mA}$		0.2		
		$V_I = 1.7V, I_O = -15\text{mA}$		0.2		
$r_{ON(Flat)}$	$V_{DD} = 3V, 2.3V$	$V_I = 0V, I_O = 30\text{mA}$		1		
		$V_I = 1.7V, I_O = -15\text{mA}$		1		
V_{pass}	$V_{DD} = 2.5 - 3.3V$	$V_{IN} > 3.8V, I_O = 10\mu\text{A}$	2.8	3.8	4.2	V

Notes:

- V_{IN} and I_{IN} refer to control inputs. $V_I, V_O, I_I,$ and I_O refer to data pins.
- All typical values are at $V_{DD} = 3.3\text{ V}$ (unless otherwise noted), $T_A = 25^\circ\text{C}$.
- For I/O ports, the parameter IOZ includes the input leakage current.
- This is the increase in supply current for each input that is at the specified TTL voltage level, rather than V_{DD} or GND.
- Measured by the voltage drop between the input and output terminals at the indicated current through the switch. ON-state resistance is determined by the lower of the voltages of the two terminals.
- Dr_{ON} is delta R_{ON} between channels

Dynamic Electrical Characteristics

Over operating range, $T_A = -40^\circ\text{C}$ to 85°C , $V_{DD} = 3.3\text{ V} \pm 10\%$, $GND = 0\text{V}$

Symbol	Parameter	Test Conditions	Typ. ⁽¹⁾	Unit
X _{TALK}	Crosstalk	$R_L = 50\Omega, f = 250\text{ MHz}$	-40	dB
		$R_L = 50\Omega, f = 50\text{ MHz}$	-55	
O _{IRR}	OFF isolation	$R_L = 50\Omega, f = 250\text{ MHz}$	-41	
BW	Bandwidth (-3 dB)	$R_L = 50\Omega$	1.6	GHz

Note:

1. For Max or Min conditions, use the appropriate value specified under Electrical Characteristics for the applicable device type.

Switching Characteristics

Over operating range, $T_A = -40^\circ\text{C}$ to 85°C , $V_{DD} = 3.3\text{ V} \pm 10\%$, $GND = 0\text{V}$

Symbol	Parameter	Min.	Typ. ⁽¹⁾	Max.	Unit
t _{pd}	Propagation Delay ^(2,3)		0.25		ns
t _{ON}	Line enable time	S to D, nD		125	
		$\overline{\text{OE}}$ to D, nD		100	
t _{OFF}	Line disable time	S to D, nD		12	
		$\overline{\text{OE}}$ to D, nD		12	
t _{SK(O)}	Output skew between center port to any other port ⁽²⁾		0.1	0.2	
t _{SK(P)}	Skew between opposite transitions of the same output (t _{PHL} - t _{PLH}) ⁽²⁾		0.1	0.2	
t _{VPASS}	OVP response time		53		ns

Notes:

1. For Max or Min conditions, use the appropriate value specified under Electrical Characteristics for the applicable device type.
2. Specified by design
3. The switch contributes no propagation delay other than the RC delay of the on resistance of the switch and the load capacitance. The time constant for the switch alone is of the order of 0.25 ns for 10-pF load. Since this time constant is much smaller than the rise/fall times of typical driving signals, it adds very little propagation delay to the system. Propagation delay of the bus switch, when used in a system, is determined by the driving circuit on the driving side of the switch and its interactions with the load on the driven side.

Application Information

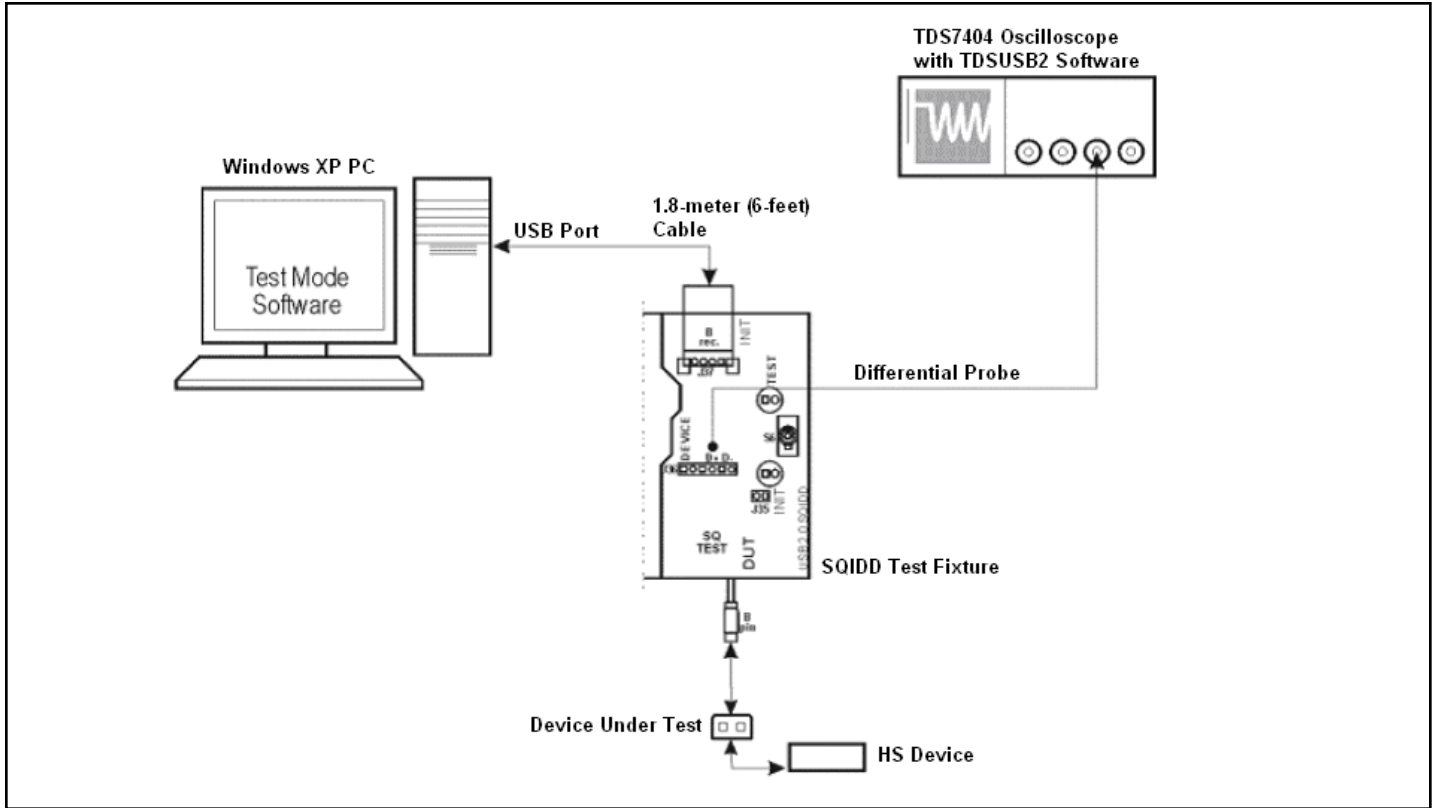
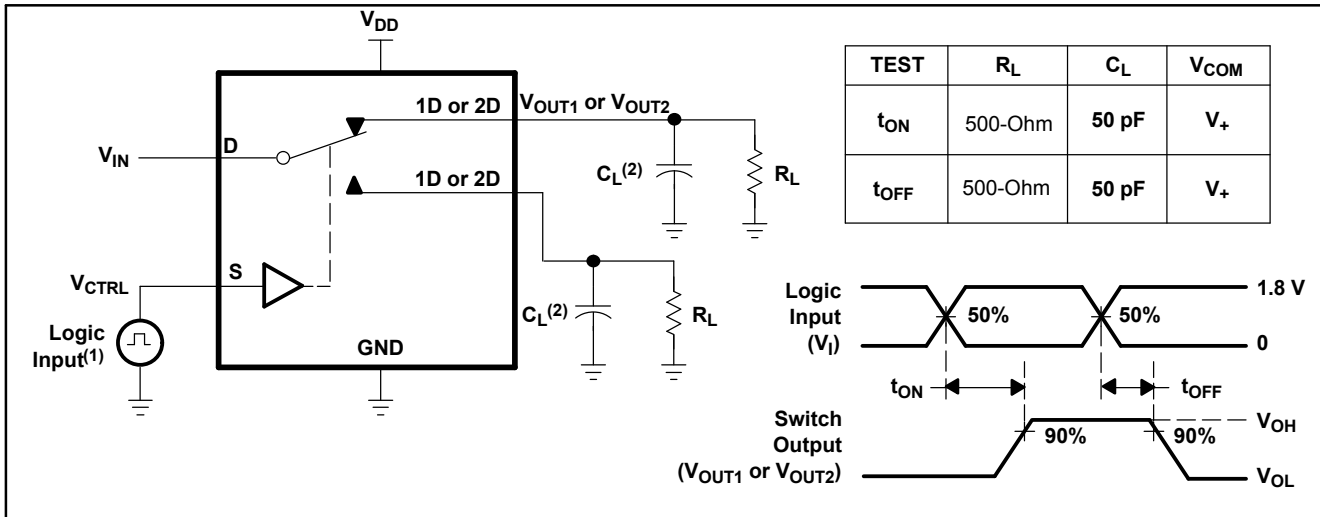


Figure 1: HS Eye Test Setup

Parameter Measurement Information



- (1) All input pulses are supplied by generators having the following characteristics: PRR ≤ 10 MHz, Z_O = 50-Ohm, t_r < 5 ns, t_f < 5 ns.
 (2) C_L includes probe and jig capacitance.

Figure 2. Turn-On (t_{ON}) and Turn-Off Time (t_{OFF})

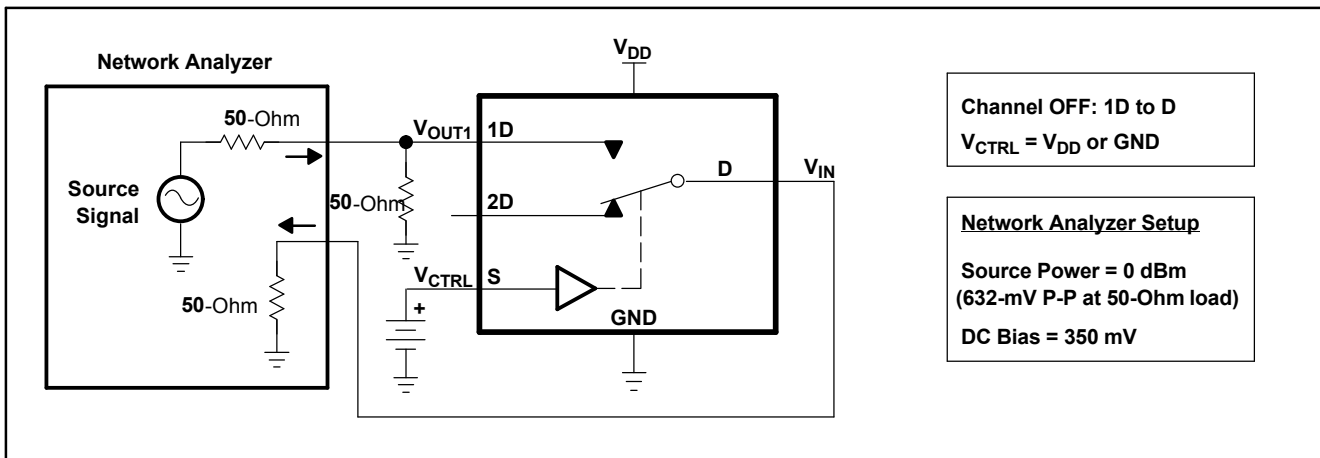


Figure 3. OFF Isolation (O_{ISO})

PI3CSW12

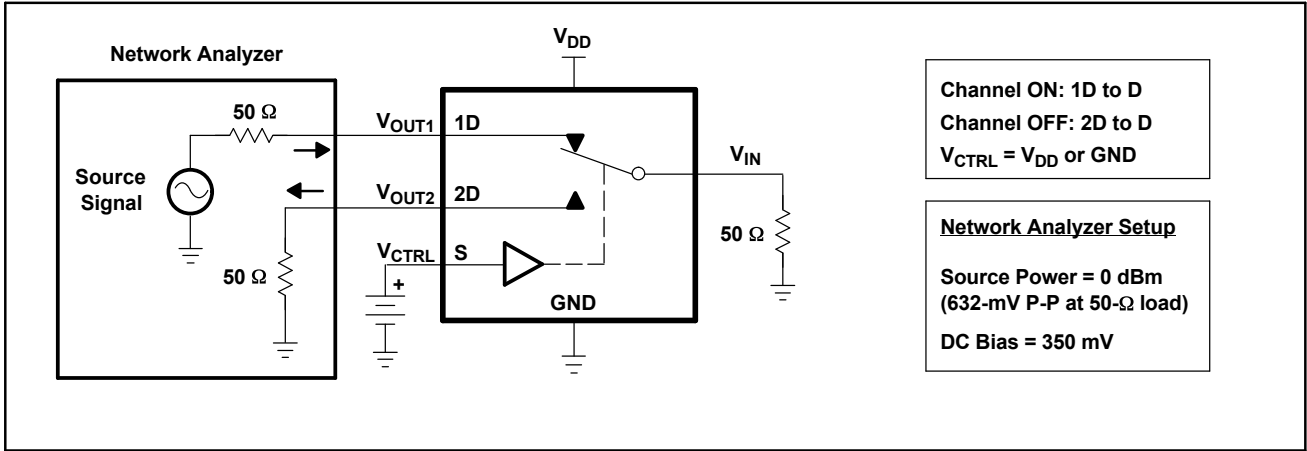


Figure 4. Crosstalk (X_{TALK})

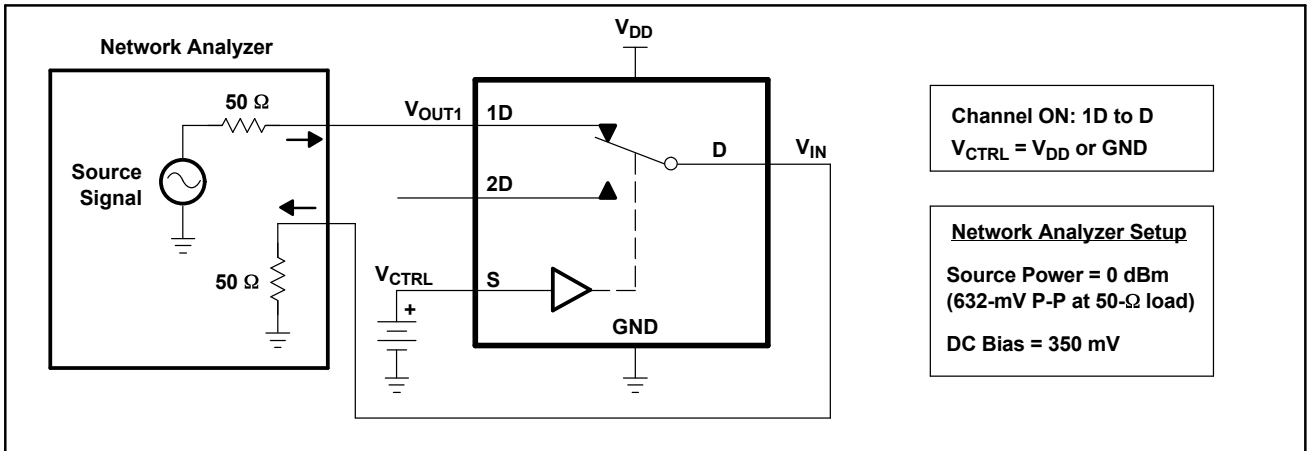


Figure 5. Bandwidth (BW)

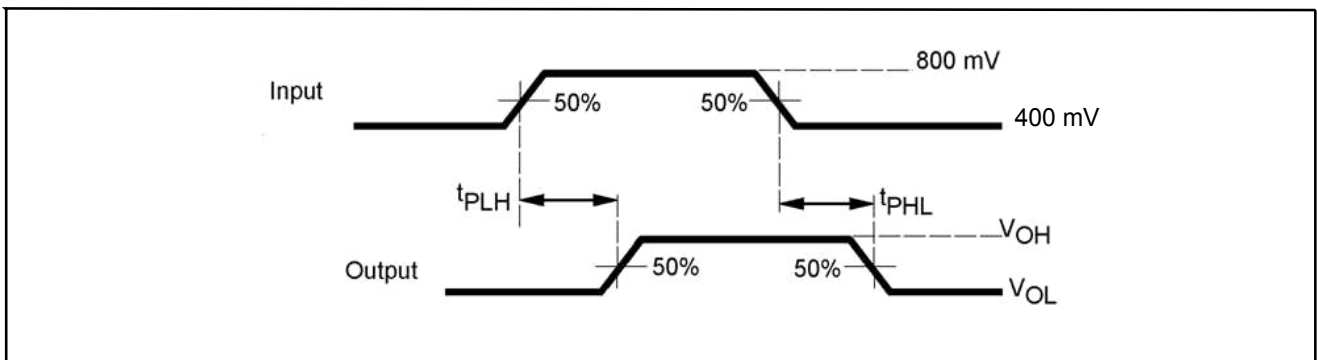


Figure 6. Propagation Delay

PI3CSW12

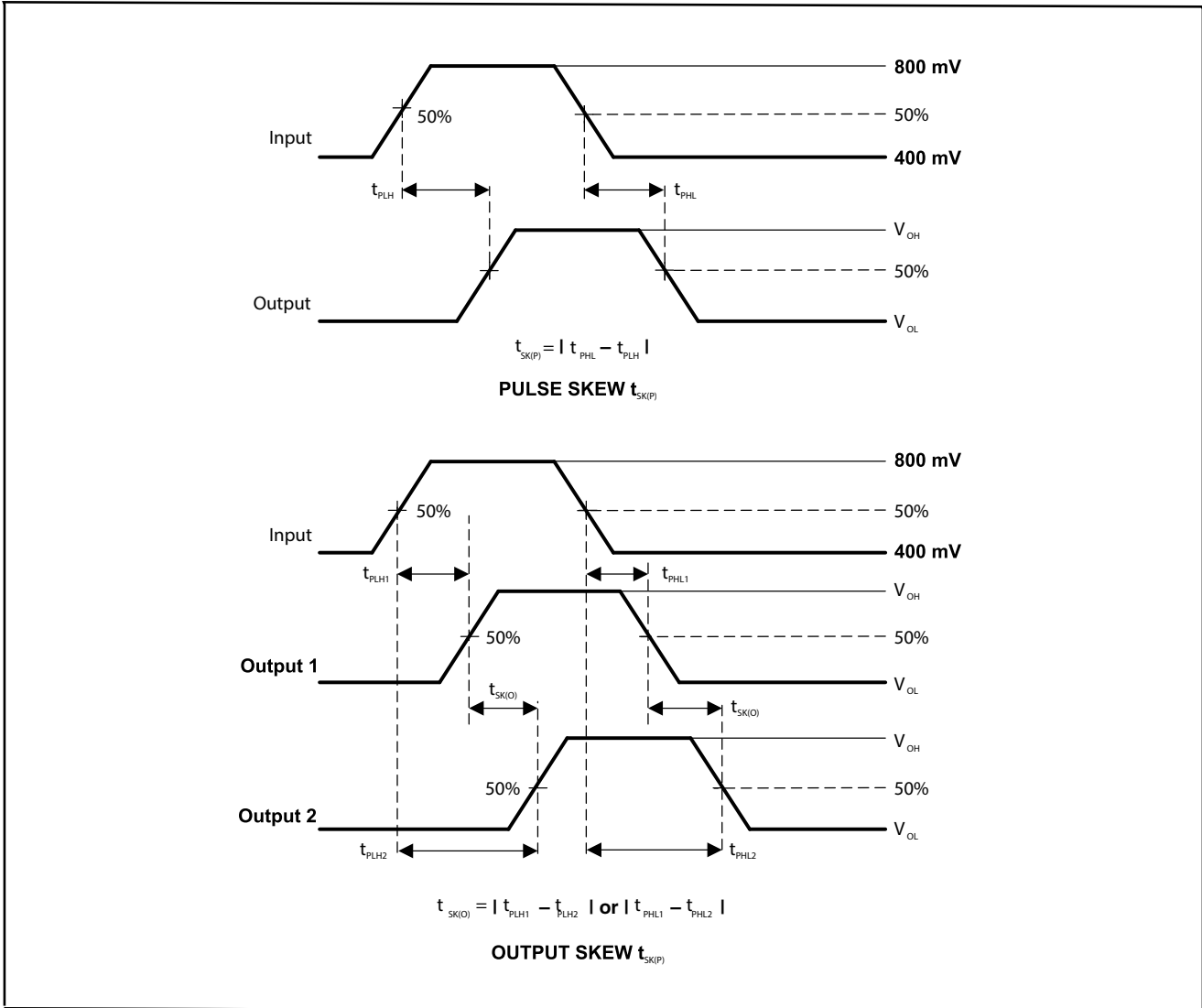


Figure 7. Skew Test

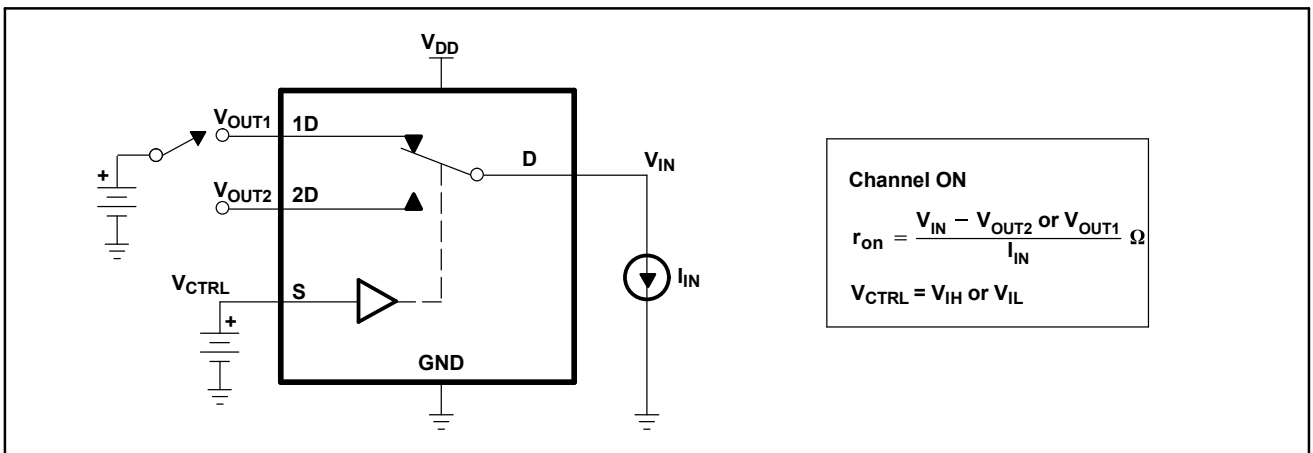


Figure 8. ON-State Resistance (r_{on})

PI3CSW12

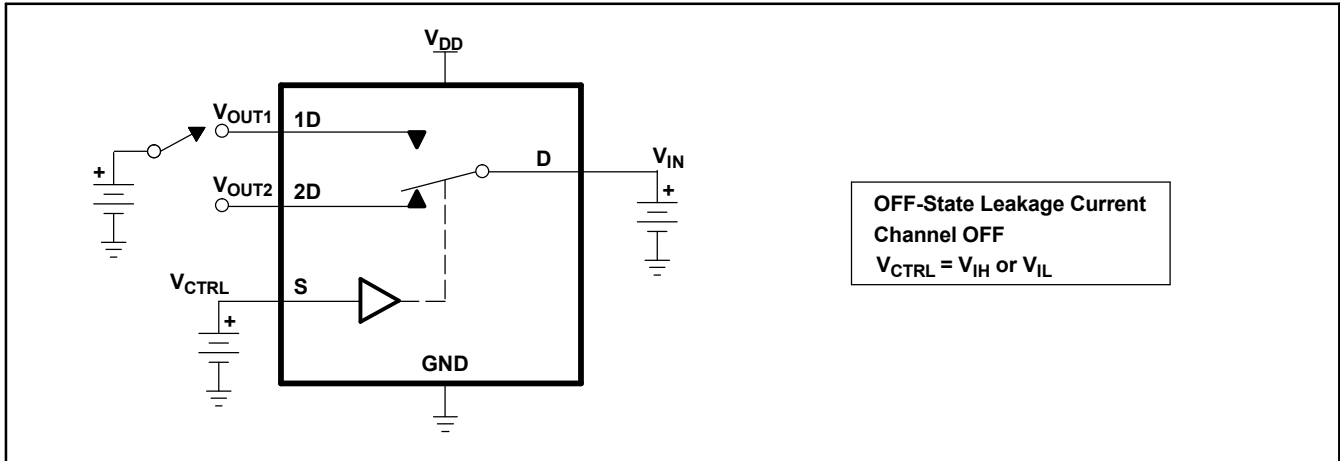


Figure 9. OFF-State Leakage Current

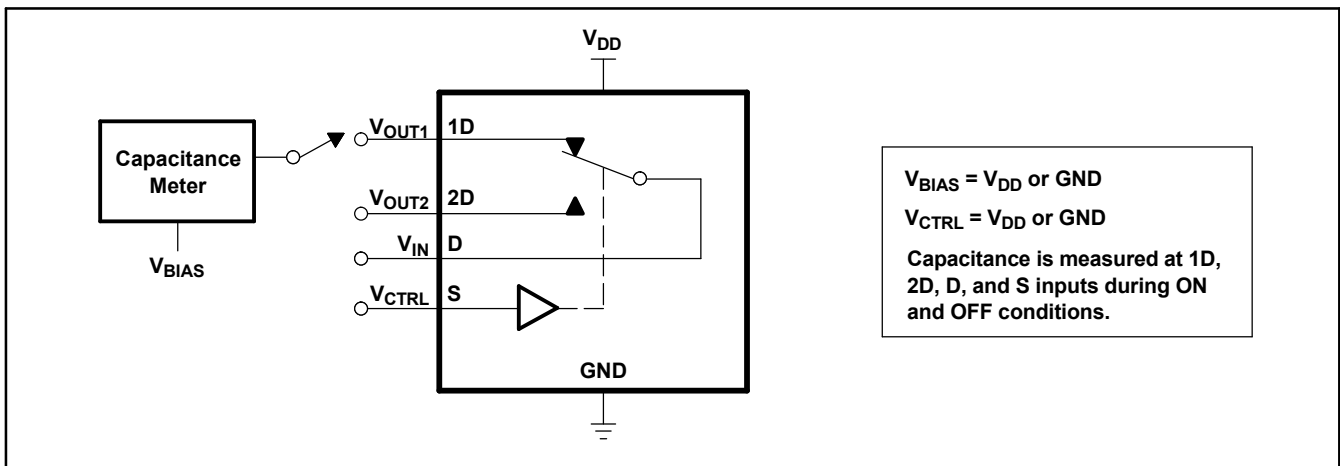
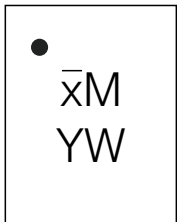


Figure 10. Capacitance

Part Marking

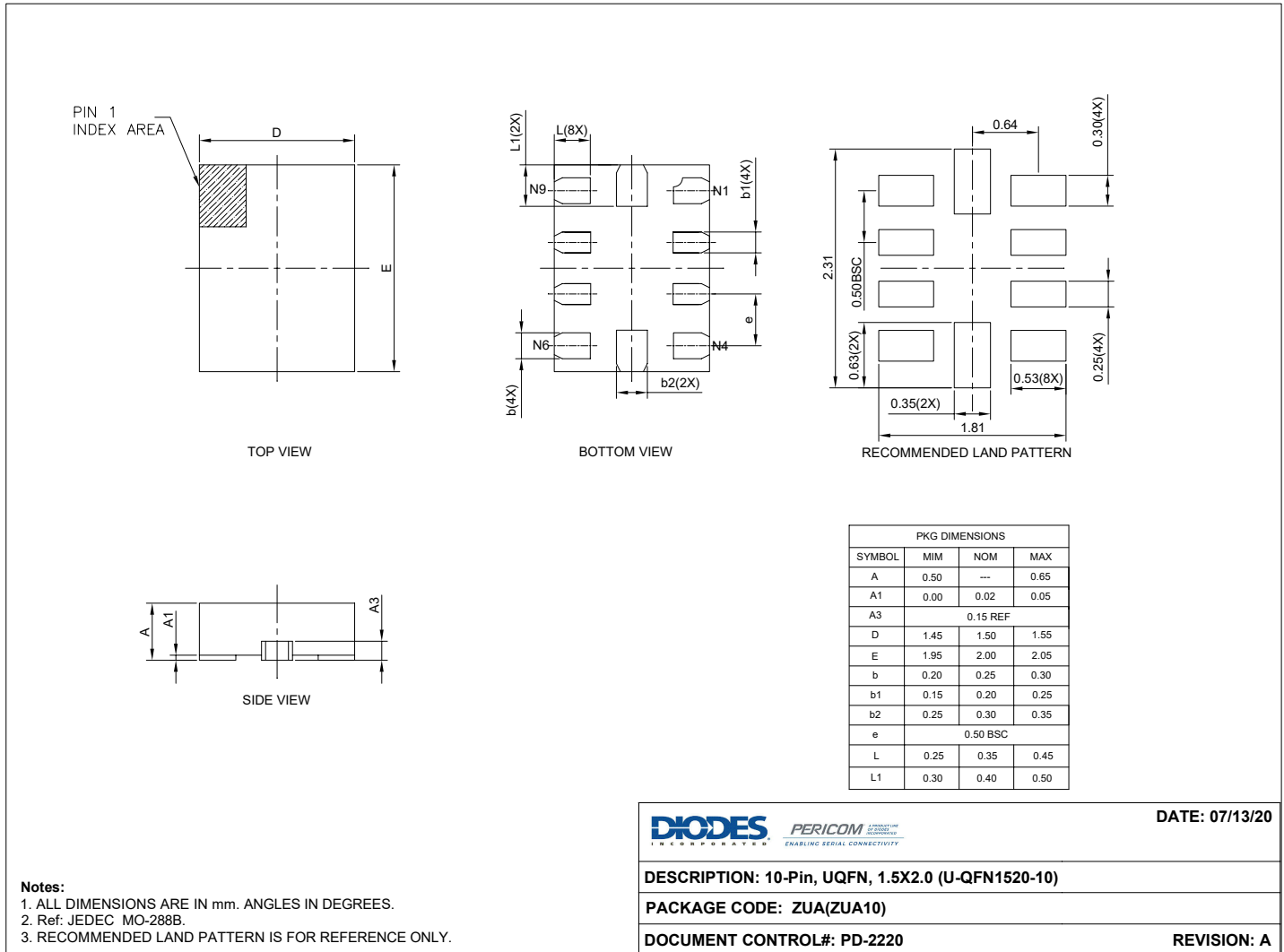


xM: PI3CSW12ZUAE

Y: Date Code (Year)

W: Date Code (Workweek)

Packaging Mechanical: 10-UQFN (ZUA)



For latest package info.

please check: <http://www.diodes.com/design/support/packaging/pericom-packaging/packaging-mechanicals-and-thermal-characteristics/>

Ordering Information

Ordering Number	Package Code	Package Description
PI3CSW12ZUAEX	ZUA	10-Pin, 1.5x2.0 (UQFN) (U-QFN 1520-10)

Notes:

1. No purposely added lead. Fully EU Directive 2002/95/EC (RoHS), 2011/65/EU (RoHS 2) & 2015/863/EU (RoHS 3) compliant.
2. See <https://www.diodes.com/quality/lead-free/> for more information about Diodes Incorporated's definitions of Halogen- and Antimony-free, "Green" and Lead-free.
3. Halogen- and Antimony-free "Green" products are defined as those which contain <900ppm bromine, <900ppm chlorine (<1500ppm total Br + Cl) and <1000ppm antimony compounds.
4. E = Pb-free and Green
5. X suffix = Tape/Reel

IMPORTANT NOTICE

1. DIODES INCORPORATED AND ITS SUBSIDIARIES ("DIODES") MAKE NO WARRANTY OF ANY KIND, EXPRESS OR IMPLIED, WITH REGARDS TO ANY INFORMATION CONTAINED IN THIS DOCUMENT, INCLUDING, BUT NOT LIMITED TO, THE IMPLIED WARRANTIES OF MERCHANTABILITY, FITNESS FOR A PARTICULAR PURPOSE OR NON-INFRINGEMENT OF THIRD PARTY INTELLECTUAL PROPERTY RIGHTS (AND THEIR EQUIVALENTS UNDER THE LAWS OF ANY JURISDICTION).

2. The Information contained herein is for informational purpose only and is provided only to illustrate the operation of Diodes products described herein and application examples. Diodes does not assume any liability arising out of the application or use of this document or any product described herein. This document is intended for skilled and technically trained engineering customers and users who design with Diodes products. Diodes products may be used to facilitate safety-related applications; however, in all instances customers and users are responsible for (a) selecting the appropriate Diodes products for their applications, (b) evaluating the suitability of the Diodes products for their intended applications, (c) ensuring their applications, which incorporate Diodes products, comply the applicable legal and regulatory requirements as well as safety and functional-safety related standards, and (d) ensuring they design with appropriate safeguards (including testing, validation, quality control techniques, redundancy, malfunction prevention, and appropriate treatment for aging degradation) to minimize the risks associated with their applications.

3. Diodes assumes no liability for any application-related information, support, assistance or feedback that may be provided by Diodes from time to time. Any customer or user of this document or products described herein will assume all risks and liabilities associated with such use, and will hold Diodes and all companies whose products are represented herein or on Diodes' websites, harmless against all damages and liabilities.

4. Products described herein may be covered by one or more United States, international or foreign patents and pending patent applications. Product names and markings noted herein may also be covered by one or more United States, international or foreign trademarks and trademark applications. Diodes does not convey any license under any of its intellectual property rights or the rights of any third parties (including third parties whose products and services may be described in this document or on Diodes' website) under this document.

5. Diodes products are provided subject to Diodes' Standard Terms and Conditions of Sale (<https://www.diodes.com/about/company/terms-and-conditions/terms-and-conditions-of-sales/>) or other applicable terms. This document does not alter or expand the applicable warranties provided by Diodes. Diodes does not warrant or accept any liability whatsoever in respect of any products purchased through unauthorized sales channel.

6. Diodes products and technology may not be used for or incorporated into any products or systems whose manufacture, use or sale is prohibited under any applicable laws and regulations. Should customers or users use Diodes products in contravention of any applicable laws or regulations, or for any unintended or unauthorized application, customers and users will (a) be solely responsible for any damages, losses or penalties arising in connection therewith or as a result thereof, and (b) indemnify and hold Diodes and its representatives and agents harmless against any and all claims, damages, expenses, and attorney fees arising out of, directly or indirectly, any claim relating to any noncompliance with the applicable laws and regulations, as well as any unintended or unauthorized application.

7. While efforts have been made to ensure the information contained in this document is accurate, complete and current, it may contain technical inaccuracies, omissions and typographical errors. Diodes does not warrant that information contained in this document is error-free and Diodes is under no obligation to update or otherwise correct this information. Notwithstanding the foregoing, Diodes reserves the right to make modifications, enhancements, improvements, corrections or other changes without further notice to this document and any product described herein. This document is written in English but may be translated into multiple languages for reference. Only the English version of this document is the final and determinative format released by Diodes.

8. Any unauthorized copying, modification, distribution, transmission, display or other use of this document (or any portion hereof) is prohibited. Diodes assumes no responsibility for any losses incurred by the customers or users or any third parties arising from any such unauthorized use.

Copyright © 2021 Diodes Incorporated

www.diodes.com

单击下面可查看定价，库存，交付和生命周期等信息

[>>Diodes Incorporated\(达达科技\(美台\)\)](#)