

Description

The AS321 is a high gain and internally frequency compensated operational amplifier specifically designed to operate from a single power supply. Operation from split power supply is also possible and the low power supply current drain is independent of the magnitude of the power supply voltages. Typical applications include battery charger, active filters, general purpose controllers and most conventional operational amplifier circuits.

The AS321 is compatible with industry standard 321.

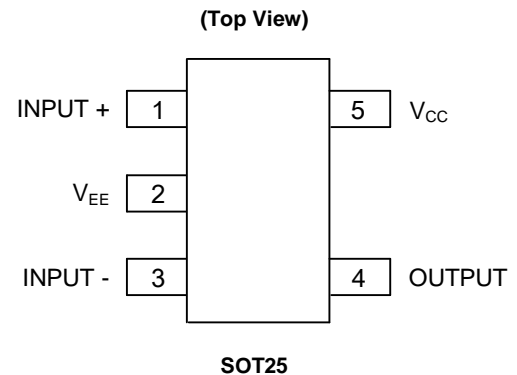
The AS321 is available in SOT25 package.

Features

- Excellent Phase Margin: 60 deg.
- Large Voltage Gain: 100dB (Typical)
- Low Input Bias Current: 20nA (Typical)
- Low Input Offset Voltage: 2mV (Typical)
- Low Supply Current: 0.35mA at $V_{CC} = 5V$
- Wide Power Supply Voltage:
 - Single Supply: 3V to 36V
 - Dual Supplies: $\pm 1.5V$ to $\pm 18V$
- Wide Input Common Mode Voltage Range: 0V to $V_{CC}-1.5V$
- Lead-Free Packages: SOT25
 - **Totally Lead-Free; RoHS Compliant (Notes 1 & 2)**
- Lead-Free Packages, Available in "Green" Molding Compound: SOT25
 - **Totally Lead-Free & Fully RoHS Compliant (Notes 1 & 2)**
 - **Halogen and Antimony Free. "Green" Device (Note 3)**

- Notes:
1. No purposely added lead. Fully EU Directive 2002/95/EC (RoHS), 2011/65/EU (RoHS 2) & 2015/863/EU (RoHS 3) compliant.
 2. See <https://www.diodes.com/quality/lead-free/> for more information about Diodes Incorporated's definitions of Halogen- and Antimony-free, "Green" and Lead-free.
 3. Halogen- and Antimony-free "Green" products are defined as those which contain <900ppm bromine, <900ppm chlorine (<1500ppm total Br + Cl) and <1000ppm antimony compounds.

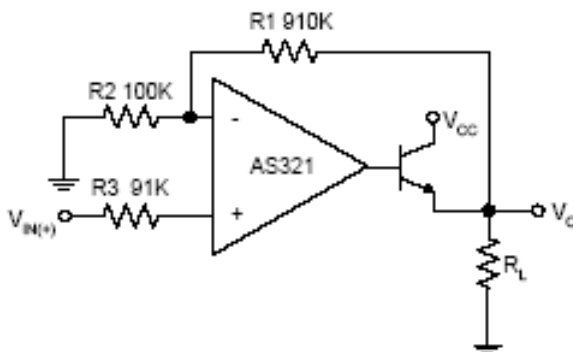
Pin Assignments



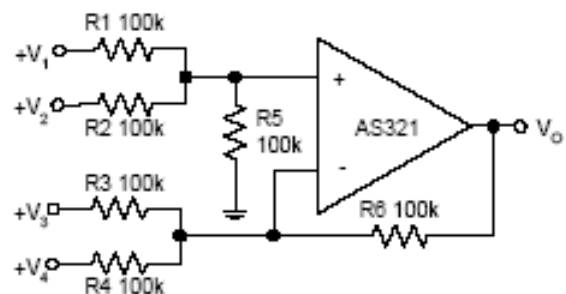
Applications

- Battery Charger
- Active Filters
- General Purpose Controllers, Instruments

Typical Applications Circuit

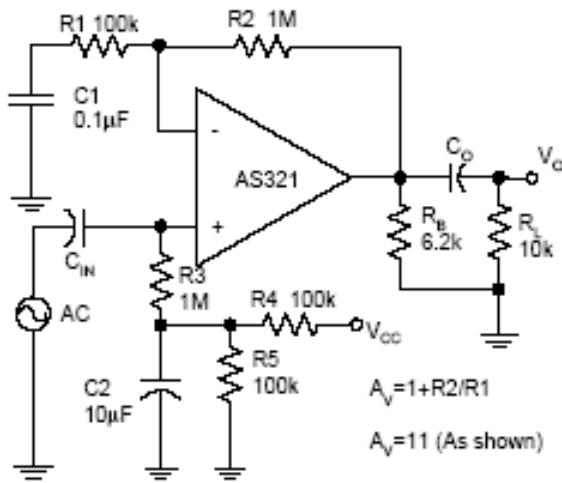


Power Amplifier

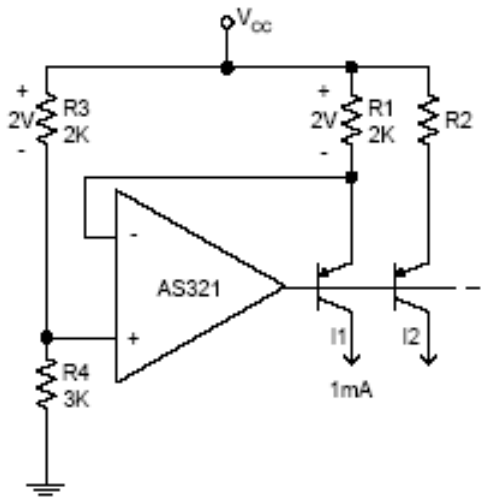


DC Summing Amplifier

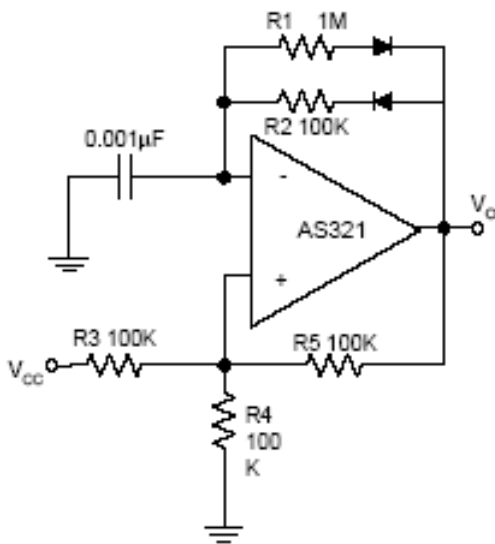
Typical Applications Circuit (Cont.)



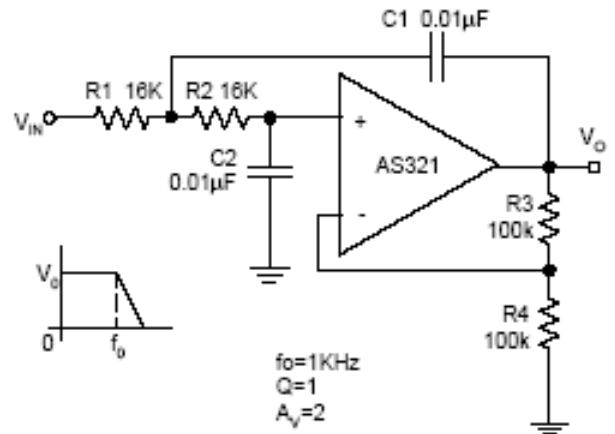
AC Coupled Non-Inverting Amplifier



Fixed Current Sources

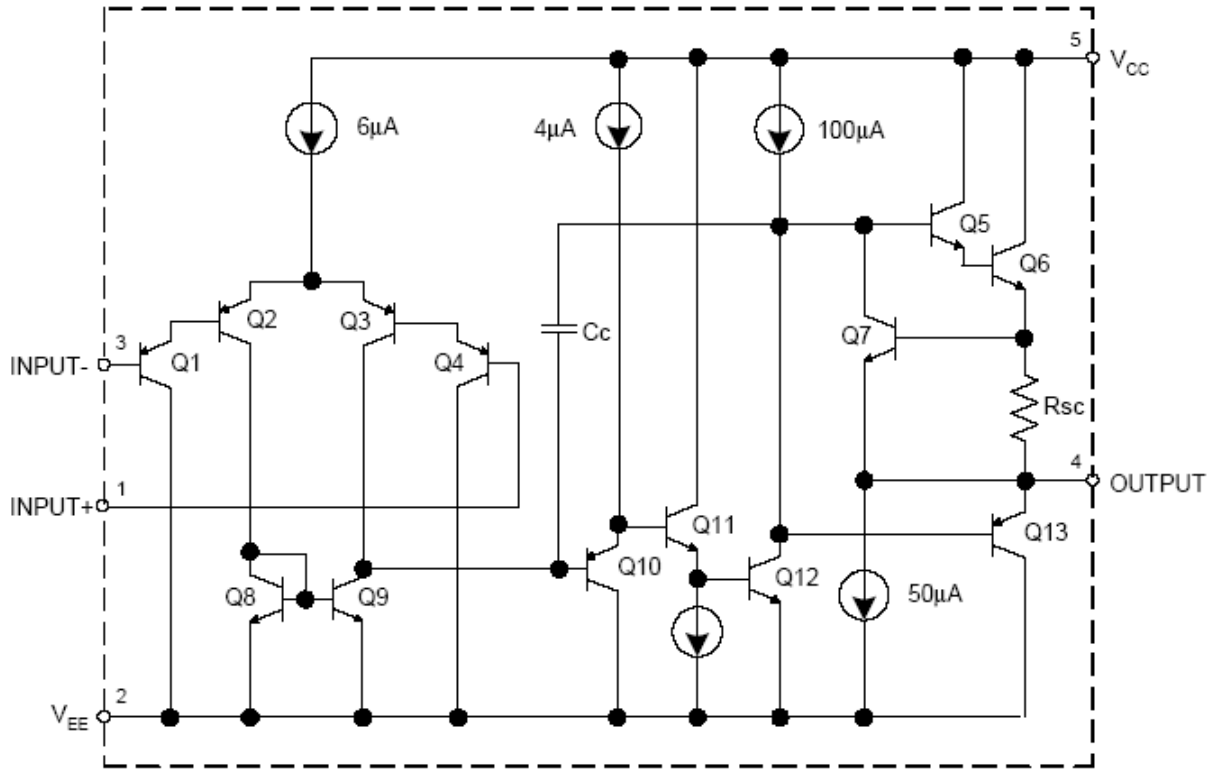


Pulse Generator



DC Coupled Low-Pass Active Filter

Functional Block Diagram



Absolute Maximum Ratings (Note 4)

Symbol	Parameter	Rating	Unit
$V_S (V_{CC}-V_{EE})$	Power Supply Voltage	40	V
V_{ID}	Differential Input Voltage	40	V
V_{IN}	Input Voltage	-0.3 to 40	V
θ_{JA}	Thermal Resistance to Ambient	260	°C/W
T_J	Operating Junction Temperature	+150	°C
T_{STG}	Storage Temperature Range	-65 to +150	°C
T_{LEAD}	Lead Temperature (Soldering, 10 Seconds)	+260	°C

Note 4: Stresses greater than those listed under "Absolute Maximum Ratings" may cause permanent damage to the device. These are stress ratings only, and functional operation of the device at these or any other conditions beyond those indicated under "Recommended Operating Conditions" is not implied. Exposure to "Absolute Maximum Ratings" for extended periods may affect device reliability.

Recommended Operating Conditions

Symbol	Parameter	Min	Max	Unit
V_{CC}	Supply Voltage	3	36	V
T_A	Ambient Operating Temperature Range	-40	+85	°C

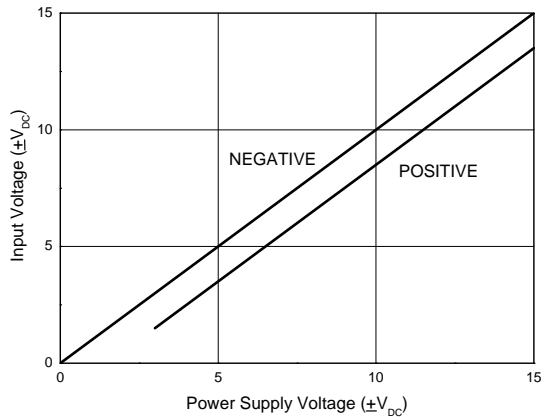
Electrical Characteristics (Limits in standard typeface are for $T_A = +25^\circ\text{C}$, **bold** typeface applies over -40°C to $+85^\circ\text{C}$ (Note 5), $V_{CC} = 5\text{V}$, $V_{EE} = 0\text{V}$, $V_O = 1.4\text{V}$, unless otherwise specified.)

Symbol	Parameter		Conditions	Min	Typ	Max	Unit
V_{IO}	Input Offset Voltage		$V_O = 1.4\text{V}$, $R_S = 0\Omega$, $V_{CC} = 5\text{V}$ to 30V (Note 6)	—	2	5	mV
				—	—	7	
$\Delta V_{IO}/\Delta T$	Average Temperature Coefficient of Input Offset Voltage		$T_A = -40^\circ\text{C}$ to $+85^\circ\text{C}$	—	7	—	$\mu\text{V}/^\circ\text{C}$
I_{BIAS}	Input Bias Current		I_{IN+} or I_{IN-} , $V_{CM} = 0\text{V}$	—	20	100	nA
				—	—	200	
I_{IO}	Input Offset Current		$I_{IN+} - I_{IN-}$, $V_{CM} = 0\text{V}$	—	5	30	nA
				—	—	100	
V_{CM}	Input Common Mode Voltage Range (Note 7)		$V_{CC} = 30\text{V}$, $\text{CMRR} \geq 50\text{dB}$	0	—	$V_{CC}-1.5$	V
I_{CC}	Supply Current		$R_L = \infty$, $V_{CC} = 5\text{V}$	—	0.35	0.80	mA
				—	0.45	1.0	
			$R_L = \infty$, $V_{CC} = 30\text{V}$	—	0.45	1.2	
				—	0.65	1.5	
G_V	Large Signal Voltage Gain		$V_{CC} = 15\text{V}$, $V_O = 1\text{V}$ to 11V , $R_L \geq 2\text{k}\Omega$	85	100	—	dB
				80	—	—	
CMRR	Common Mode Rejection Ratio		$V_{CM} = 0\text{V}$ to $(V_{CC}-1.5)\text{V}$, $R_S \leq 10\text{k}\Omega$	60	70	—	dB
				60	—	—	
PSRR	Power Supply Rejection Ratio		$V_{CC} = 5\text{V}$ to 30V , $R_S \leq 10\text{k}\Omega$	70	100	—	dB
				60	—	—	
I_{SOURCE}	Output Current	Source	$V_{IN+} = 1\text{V}$, $V_{IN-} = 0\text{V}$, $V_{CC} = 15\text{V}$, $V_O = 2\text{V}$	20	40	—	mA
		20	—	—			
I_{SINK}	Output Current	Sink	$V_{IN+} = 0\text{V}$, $V_{IN-} = 1\text{V}$, $V_{CC} = 15\text{V}$, $V_O = 2\text{V}$	10	15	—	mA
			5	—	—		
			$V_{IN+} = 0\text{V}$, $V_{IN-} = 1\text{V}$, $V_{CC} = 15\text{V}$, $V_O = 0.2\text{V}$	12	50	—	μA
I_{SC}	Output Short Circuit Current to Ground		$V_{CC} = 15\text{V}$	—	40	60	mA
V_{OH}	Output Voltage Swing		$V_{CC} = 30\text{V}$, $R_L = 2\text{k}\Omega$	26	—	—	V
				26	—	—	
			$V_{CC} = 30\text{V}$, $R_L = 10\text{k}\Omega$	27	28	—	
				27	—	—	
V_{OL}	Output Voltage Swing		$V_{CC} = 5\text{V}$, $R_L = 10\text{k}\Omega$	—	5	20	mV
				—	—	30	
THD	Total Harmonic Distortion		$f = 1\text{kHz}$, $AV = 20\text{dB}$, $R_L = 2\text{k}\Omega$, $V_O = 2\text{Vp-p}$, $C_L = 100\text{pF}$, $V_{CC} = 30\text{V}$	—	0.015	—	%
Φ_M	Phase Margin		—	—	60	—	Deg
θ_{JC}	Thermal Resistance (Junction to Case)		SOT25	—	101	—	$^\circ\text{C}/\text{W}$

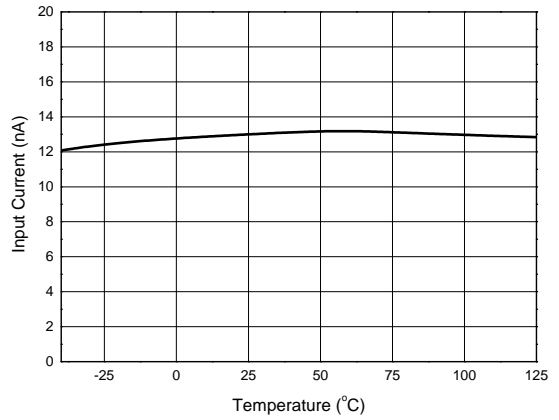
- Notes:
- Limits over the full temperature are guaranteed by design, but not tested in production.
 - Over the full input common-mode range 0V to $V_{CC}-1.5\text{V}$ (at $+25^\circ\text{C}$).
 - The input common-mode voltage of either input signal voltage should not be allowed to go negatively by more than 0.3V (at $+25^\circ\text{C}$). The upper end of the common-mode voltage range is $V_{CC}-1.5\text{V}$ (at $+25^\circ\text{C}$), but either or both inputs can go to $+36\text{V}$ without damages, independent of the magnitude of the V_{CC} .

Performance Characteristics

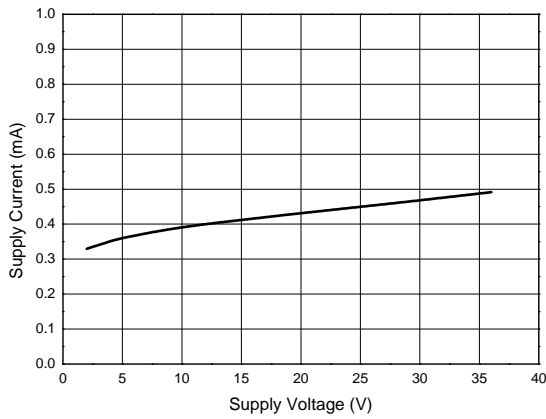
Input Voltage Range



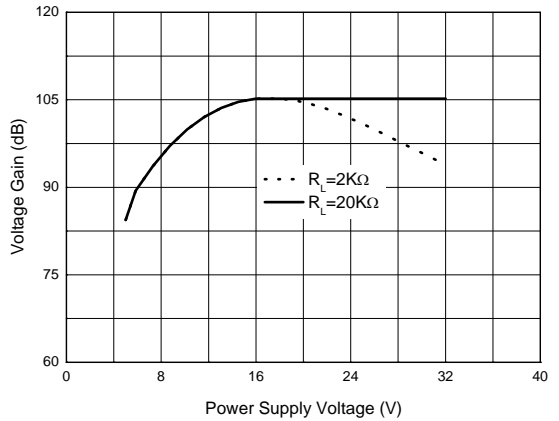
Input Current



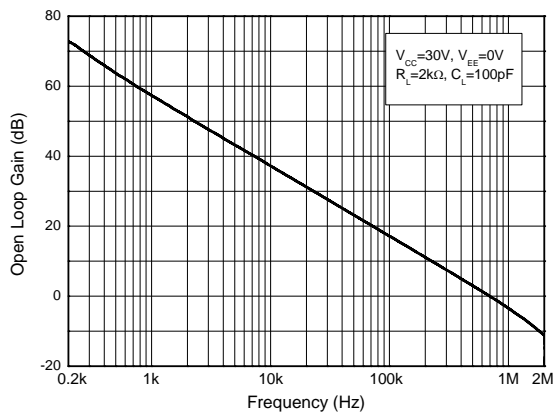
Supply Current



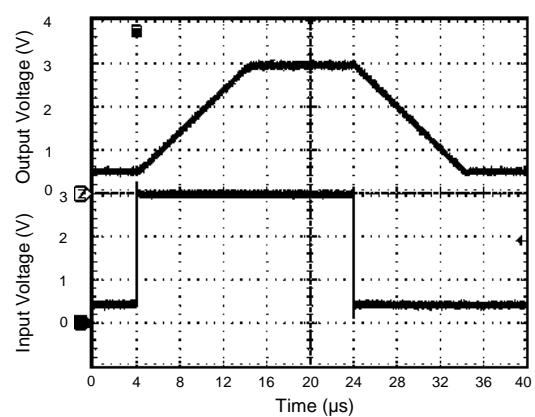
Voltage Gain



Open Loop Gain vs. Frequency

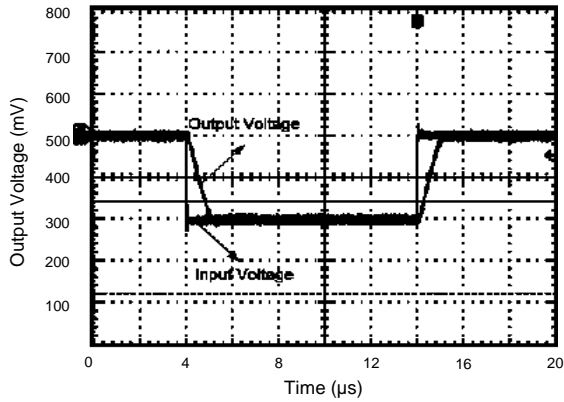


Voltage Follower Pulse Response

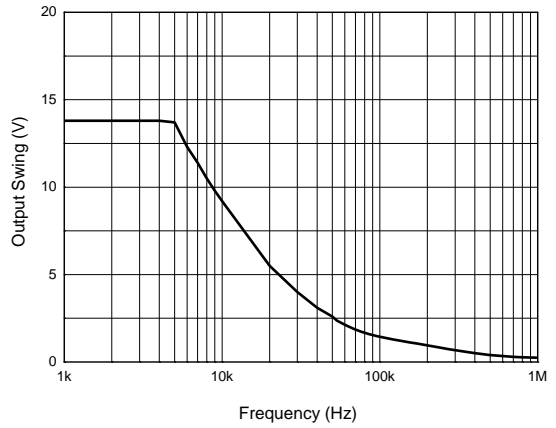


Performance Characteristics (Cont.)

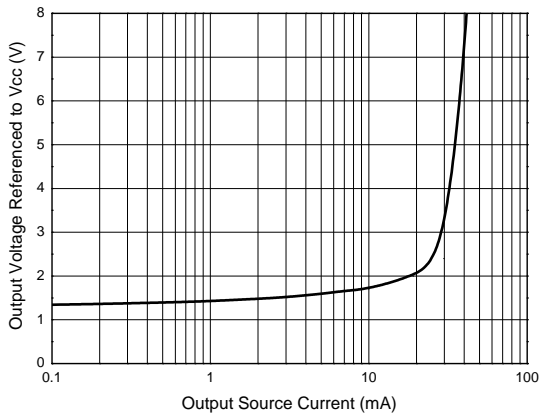
Voltage Follower Pulse Response (Small Signal)



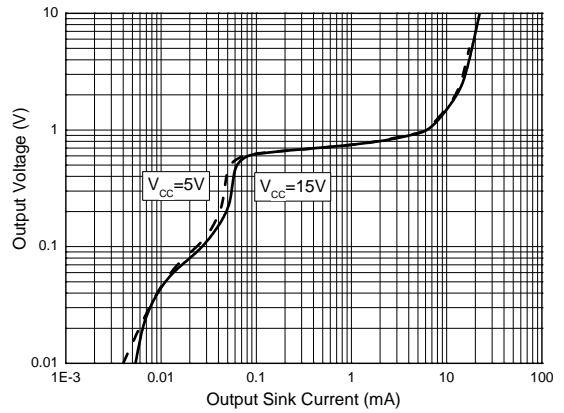
Large Signal Frequency Response



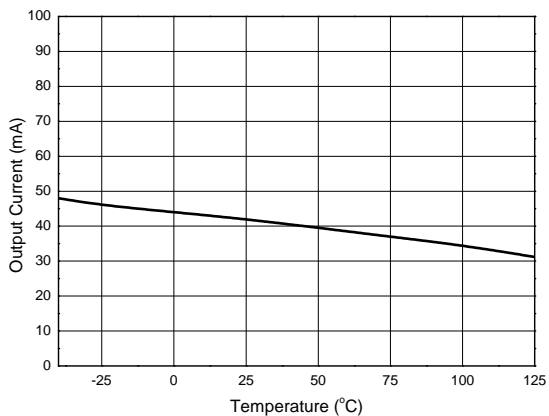
Output Characteristics: Current Sourcing



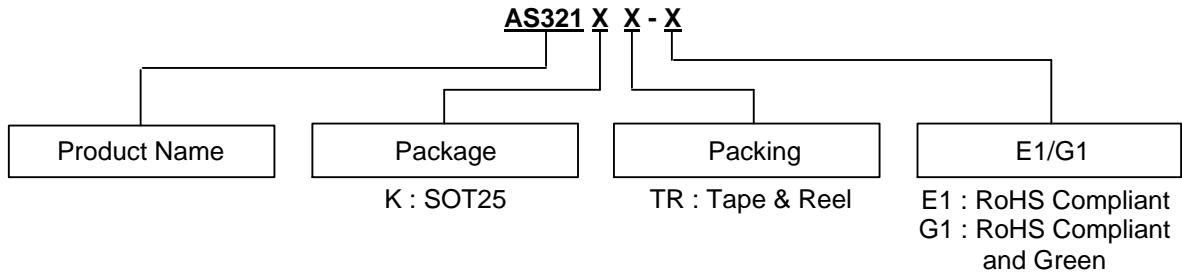
Output Characteristics: Current Sinking



Current Limiting



Ordering Information



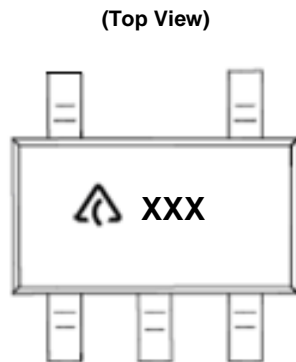
Part Number	Package (Note 9)	RoHS Compliant Lead Free/ Green	Temperature Range	Marking ID	Tape and Reel Quantity	Status (Note 8)	Alternative
AS321KTR-E1	SOT25	Lead Free	-40 to +85°C	E6T	3000	NRND	AS321KTR-G1
AS321KTR-G1	SOT25	Green	-40 to +85°C	G6T	3000	In Production	—



Notes: 8. AS321KTR-E1 (Lead Free package) is Not Recommended for New Design (NRND), recommended alternative is AS321KTR-G1 (Green package).
9. For packaging details, go to our website at: <https://www.diodes.com/design/support/packaging/diodes-packaging/>.

Marking Information

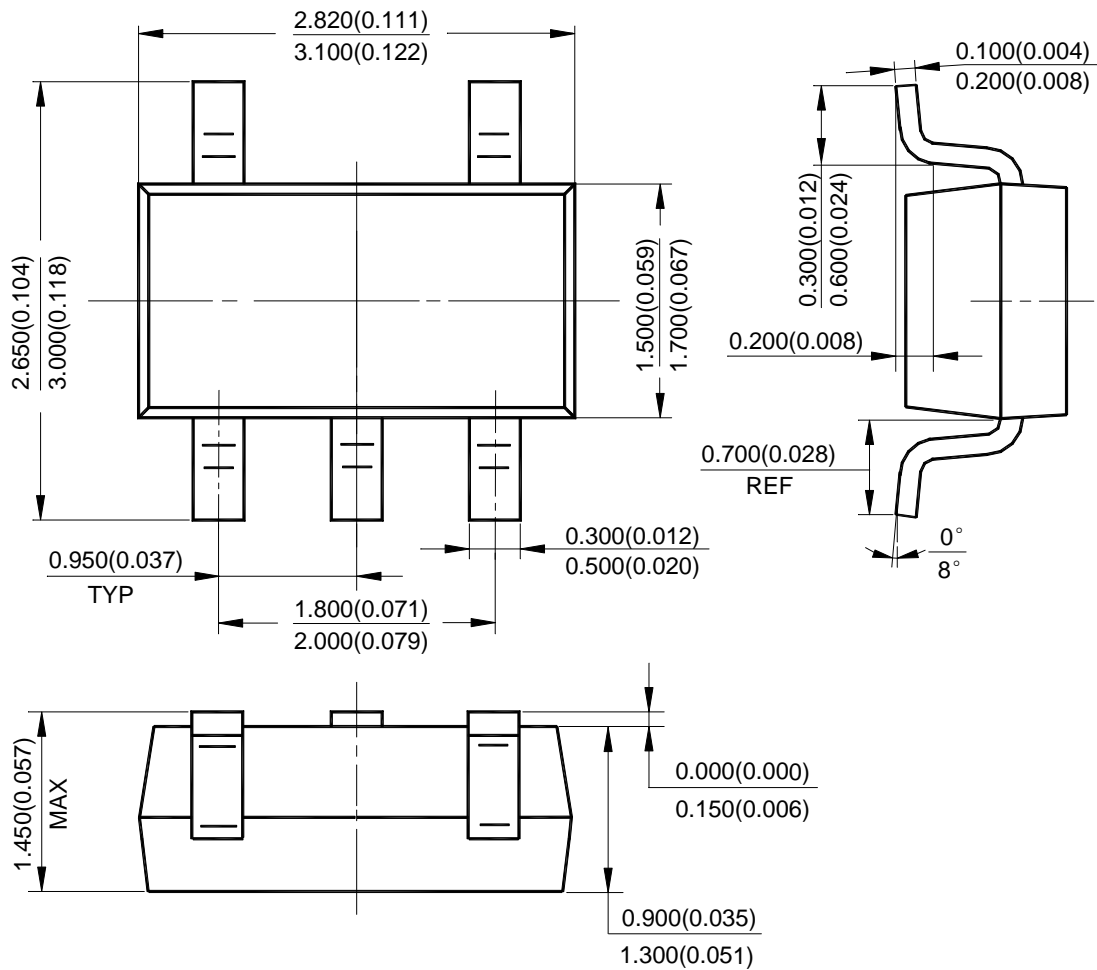
(1) SOT25



: Logo
XXX : Marking ID (See Ordering Information)

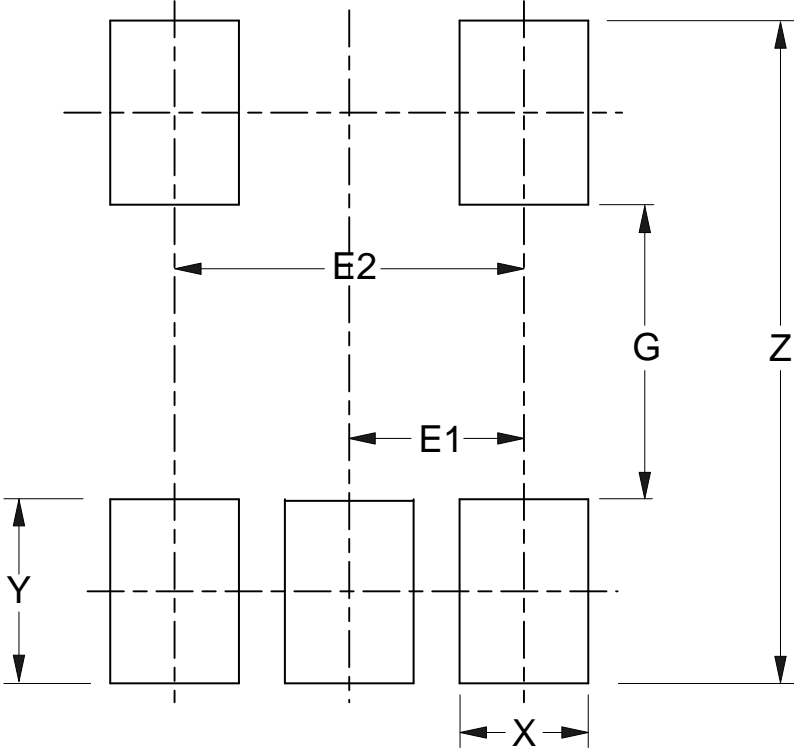
Package Outline Dimensions (All dimensions in mm (inch).)

(1) Package Type: SOT25



Suggested Pad Layout

(1) Package Type: SOT25



Dimensions	Z (mm)/(inch)	G (mm)/(inch)	X (mm)/(inch)	Y (mm)/(inch)	E1 (mm)/(inch)	E2 (mm)/(inch)
Value	3.600/0.142	1.600/0.063	0.700/0.028	1.000/0.039	0.950/0.037	1.900/0.075

IMPORTANT NOTICE

DIODES INCORPORATED MAKES NO WARRANTY OF ANY KIND, EXPRESS OR IMPLIED, WITH REGARDS TO THIS DOCUMENT, INCLUDING, BUT NOT LIMITED TO, THE IMPLIED WARRANTIES OF MERCHANTABILITY AND FITNESS FOR A PARTICULAR PURPOSE (AND THEIR EQUIVALENTS UNDER THE LAWS OF ANY JURISDICTION).

Diodes Incorporated and its subsidiaries reserve the right to make modifications, enhancements, improvements, corrections or other changes without further notice to this document and any product described herein. Diodes Incorporated does not assume any liability arising out of the application or use of this document or any product described herein; neither does Diodes Incorporated convey any license under its patent or trademark rights, nor the rights of others. Any Customer or user of this document or products described herein in such applications shall assume all risks of such use and will agree to hold Diodes Incorporated and all the companies whose products are represented on Diodes Incorporated website, harmless against all damages.

Diodes Incorporated does not warrant or accept any liability whatsoever in respect of any products purchased through unauthorized sales channel. Should Customers purchase or use Diodes Incorporated products for any unintended or unauthorized application, Customers shall indemnify and hold Diodes Incorporated and its representatives harmless against all claims, damages, expenses, and attorney fees arising out of, directly or indirectly, any claim of personal injury or death associated with such unintended or unauthorized application.

Products described herein may be covered by one or more United States, international or foreign patents pending. Product names and markings noted herein may also be covered by one or more United States, international or foreign trademarks.

This document is written in English but may be translated into multiple languages for reference. Only the English version of this document is the final and determinative format released by Diodes Incorporated.

LIFE SUPPORT

Diodes Incorporated products are specifically not authorized for use as critical components in life support devices or systems without the express written approval of the Chief Executive Officer of Diodes Incorporated. As used herein:

A. Life support devices or systems are devices or systems which:

1. are intended to implant into the body, or
2. support or sustain life and whose failure to perform when properly used in accordance with instructions for use provided in the labeling can be reasonably expected to result in significant injury to the user.

B. A critical component is any component in a life support device or system whose failure to perform can be reasonably expected to cause the failure of the life support device or to affect its safety or effectiveness.

Customers represent that they have all necessary expertise in the safety and regulatory ramifications of their life support devices or systems, and acknowledge and agree that they are solely responsible for all legal, regulatory and safety-related requirements concerning their products and any use of Diodes Incorporated products in such safety-critical, life support devices or systems, notwithstanding any devices- or systems-related information or support that may be provided by Diodes Incorporated. Further, Customers must fully indemnify Diodes Incorporated and its representatives against any damages arising out of the use of Diodes Incorporated products in such safety-critical, life support devices or systems.

Copyright © 2018, Diodes Incorporated

www.diodes.com

单击下面可查看定价，库存，交付和生命周期等信息

[>>Diodes Incorporated\(达达科技\(美台\)\)](#)