

## Description

The AP3983E is high frequency power switcher for power supplies with better conversion efficiency, better voltage & current accuracy, and improved protection functions. Typical applications include adapter for ADSL, home appliance power supply, LED lighting power supply and PC auxiliary power supplies. The AP3983E with built in MOSFET, regulates the output voltage and current in the primary side by piece-wise Pulse Frequency Modulation (p-PFM) in discontinuous conduction mode (DCM). The system operating frequency reduces linearly from heavy load to light load in each interval of the p-PFM, and enters constant current mode when the load current equals to the maximum system output current.

The AP3983E provides operating frequency dithering function to improve EMC performance of power supply. The AP3983E also has built-in fixed cable voltage drop compensation and adjustable line voltage compensation.

The AP3983E solution has fewer component number, smaller size, and lower total cost.

The AP3983E is packaged in PDIP-7.

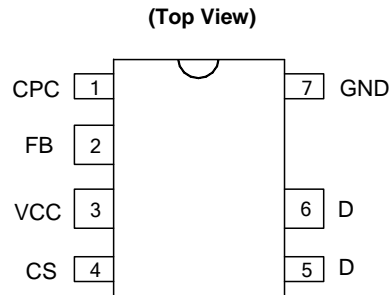
## Features

- Primary Side Control for Eliminating Opto-coupler
- Valley Switching Turn on for Higher Efficiency and Better EMI Performance
- Better Transient Characteristics
- Built-in N Channel MOSFET with 700 BV<sub>DSS</sub>
- Low Start-up Current: 0.2μA (Typ.)
- Internal Output Cable Voltage Drop Compensation
- Hiccup Function to Improve Short Circuit Protection
- Better Over Voltage Protection
- Better Over Temperature Protection
- Low Total Cost Solution
- Output Power Range (Note 1)
- AP3983E for 20W Adapter and 25W in Open Frame Design
- **Totally Lead-free & Fully RoHS Compliant (Note 2 & 3)**
- **Halogen and Antimony Free. "Green" Device (Note 4)**

Note:

1. Typical continuous power in a non-ventilated enclosed adapter measured at +50°C ambient.
2. No purposely added lead. Fully EU Directive 2002/95/EC (RoHS) & 2011/65/EU (RoHS 2) compliant.
3. See [http://www.diodes.com/quality/lead\\_free.html](http://www.diodes.com/quality/lead_free.html) for more information about Diodes Incorporated's definitions of Halogen- and Antimony-free, "Green" and Lead-free.
4. Halogen- and Antimony-free "Green" products are defined as those which contain <900ppm bromine, <900ppm chlorine (<1500ppm total Br + Cl) and <1000ppm antimony compounds.

## Pin Assignments

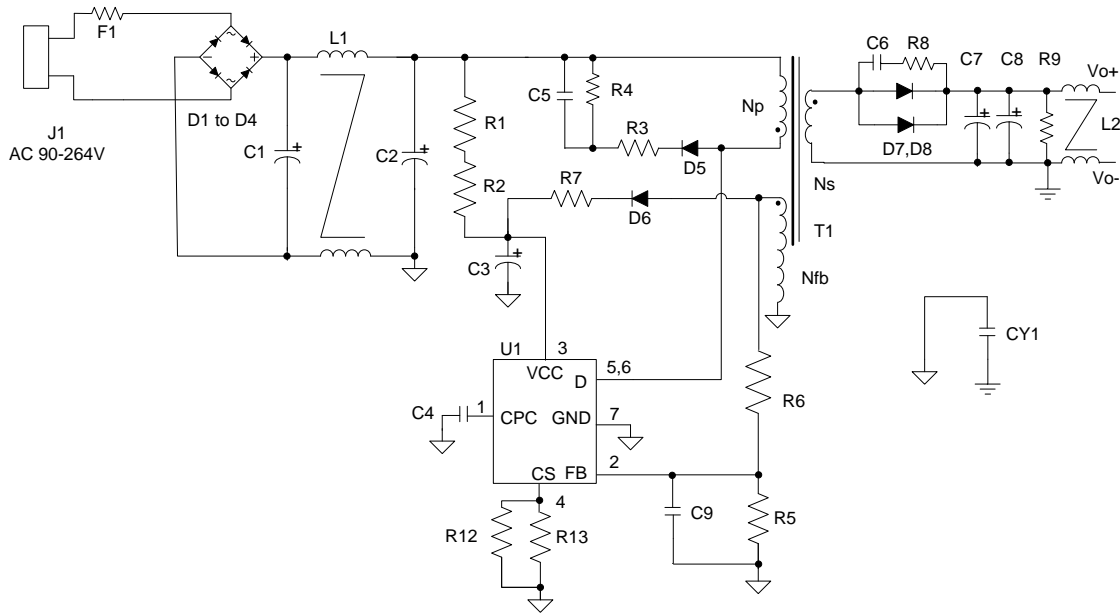


PDIP-7 For AP3983E

## Applications

- Adapters
- Set Top Boxes
- Auxiliary Supplies
- Appliances
- LED Driver

**Typical Applications Circuit**



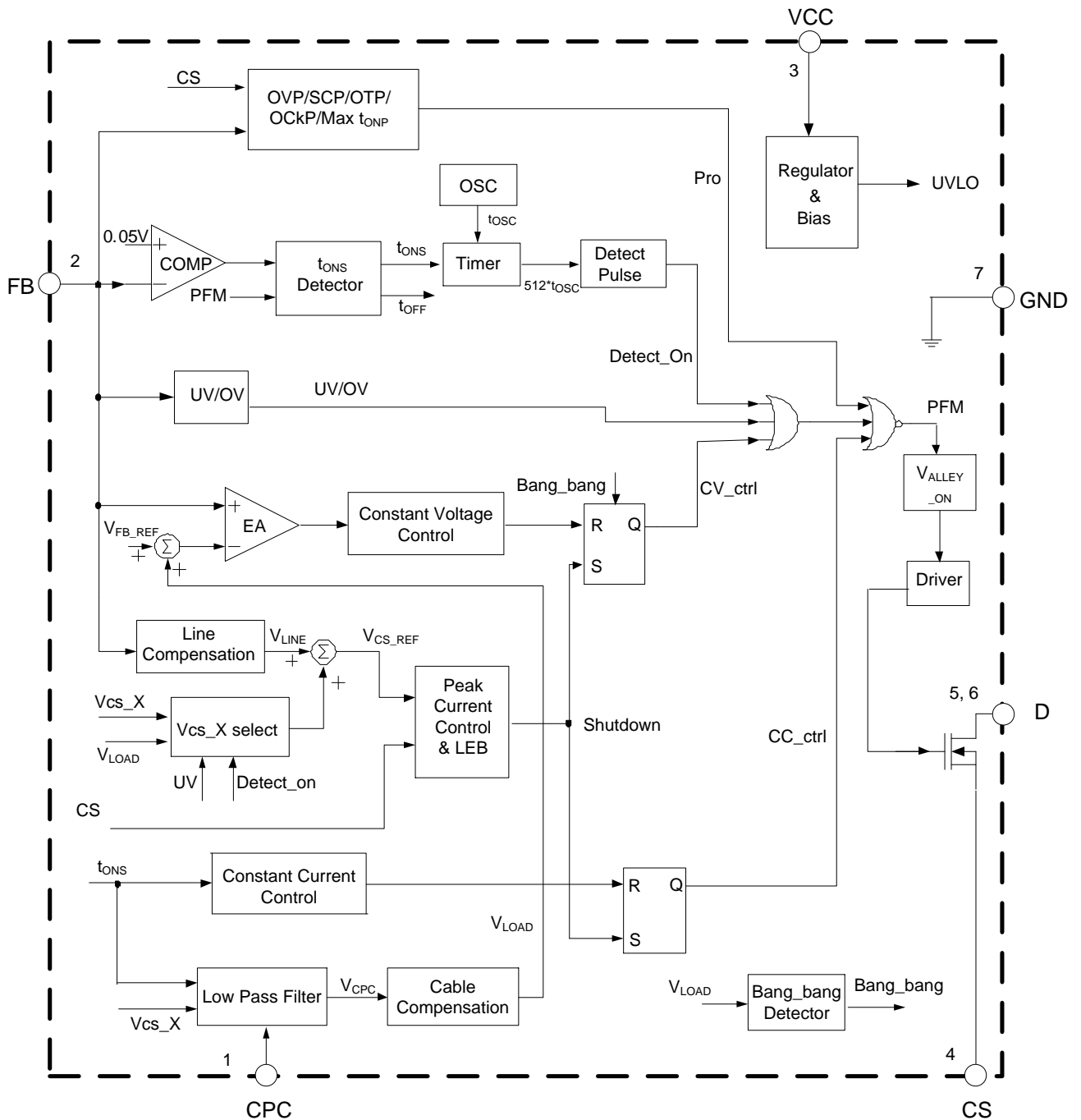
For AP3983E (12V/1.5A)

| Item     | Function                              | QTY | Item   | Function                     | QTY |
|----------|---------------------------------------|-----|--------|------------------------------|-----|
| C1, C2   | 15 $\mu$ F/400V, electrolytic         | 2   | U1     | AP3983E, PDIP-7              | 1   |
| C3       | 4.7 $\mu$ F/50V, electrolytic         | 1   | R1, R2 | 2M $\Omega$ , 1206           | 2   |
| C4       | 10nF, ceramic, 0805                   | 1   | R3     | 200 $\Omega$ , 1206          | 1   |
| C5       | 1nF/250V, ceramic                     | 1   | R4     | 150k $\Omega$ , 1206         | 1   |
| C6       | 1nF/100V, 0805                        | 1   | R5     | 22k $\Omega$ , 1%, 0805      | 1   |
| C7, C8   | 1000 $\mu$ F/16V, electrolytic        | 2   | R6     | 47k $\Omega$ , 1%, 0805      | 1   |
| C9       | 10pF/16V, 0805                        | 1   | R7     | 2 $\Omega$ , 1206            | 1   |
| CY1      | 1nF/250V <sub>AC</sub> , Y1 capacitor | 1   | R8     | 30 $\Omega$ , 1206           | 1   |
| D1 to D6 | 1N4007, rectifier diode               | 6   | R9     | 5.1k $\Omega$ , 1206         | 1   |
| D7, D8   | MBR3100, Schottky diode               | 2   | R12    | 1.2 $\Omega$ , 1%, 1206      | 1   |
| F1       | 2A/250V, fuse                         | 1   | R13    | 1.8 $\Omega$ , 1%, 1206      | 1   |
| L1       | 30mH, Common inductor, EE9.8          | 1   | T1     | EE20 core, PC40, transformer | 1   |
| L2       | 250 $\mu$ H/2A, Common inductor       | 1   | -      | -                            | -   |

**Pin Descriptions**

| Pin Number | Pin Name | Function  |
|------------|----------|---|
| 1          | CPC      | This pin connects a capacitor to GND for output cable compensation                |
| 2          | FB       | The voltage feedback from auxiliary winding                                       |
| 3          | VCC      | This pin receives rectified voltage from the auxiliary winding of the transformer |
| 4          | CS       | Current sense for primary side of transformer                                     |
| 5, 6       | D        | This pin is connected with an internal power MOSFET's drain                       |
| 7          | GND      | This pin is the signal reference ground   |

**Functional Block Diagram**



NEW PRODUCT

### Absolute Maximum Ratings (Note 5)

| Symbol                             | Parameter   | Rating      | Unit |
|------------------------------------|---|-------------|------|
| V <sub>CC</sub>                    | Supply Voltage                                    | -0.3 to 30  | V    |
| V <sub>CS</sub> , V <sub>CPC</sub> | Voltage on CS, CPC Pin                            | -0.3 to 7   | V    |
| V <sub>FB</sub>                    | FB Input Voltage                                  | -0.3 to 8   | V    |
| BV <sub>DSS</sub>                  | Drain Voltage (T <sub>J</sub> = +25°C)            | 700         | V    |
| I <sub>D</sub>                     | Drain Continuous Current (T <sub>J</sub> = +25°C) | 5           | A    |
| T <sub>J</sub>                     | Operating Junction Temperature                    | -40 to +150 | °C   |
| T <sub>STG</sub>                   | Storage Temperature                               | -65 to +150 | °C   |
| T <sub>LEAD</sub>                  | Lead Temperature (Soldering, 10 sec)              | +260        | °C   |
| –                                  | ESD (Machine Model)                               | 200         | V    |
| –                                  | ESD (Human Body Model)                            | 2000        | V    |
| P <sub>D</sub>                     | Total Power Dissipation                           | 1.8         | W    |

Note 5: Stresses greater than those listed under "Absolute Maximum Ratings" may cause permanent damage to the device. These are stress ratings only, and functional operation of the device at these or any other conditions beyond those indicated under "Recommended Operating Conditions" is not implied. Exposure to "Absolute Maximum Ratings" for extended periods may affect device reliability.

### Recommended Operating Conditions

| Symbol              | Parameter                   | Min | Max  | Unit |
|---------------------|-----------------------------|-----|------|------|
| V <sub>CC</sub>     | Supply Voltage              | –   | 25   | V    |
| T <sub>OP</sub>     | Operating Temperature Range | -40 | +105 | °C   |
| f <sub>S(MAX)</sub> | Maximum Operating Frequency | –   | 80   | kHz  |

### Thermal Impedance (Note 6)

| Symbol          | Parameter           | Value | Unit |
|-----------------|---------------------|-------|------|
| θ <sub>JA</sub> | Junction to Ambient | 40    | °C/W |
| θ <sub>JC</sub> | Junction to Case    | 20    |      |

Note 6: When mounted a standard single-sided FR-4 board with 300mm<sup>2</sup> Cu (at least 35µm thick) connected to all collectors and CS pins.

**Electrical Characteristics** (@V<sub>CC</sub> = 15V, T<sub>J</sub> = +25°C, unless otherwise specified.)

| Symbol   | Parameter  | Condition  | Min  | Typ  | Max  | Unit |
|--|--|--|------|------|------|------|
| <b>STARTUP AND UVLO SECTION</b>  |  |  |      |      |      |      |
| V <sub>TH_ST</sub>   | Turn-on Voltage                                    | –  | 13   | 15.5 | 18   | V    |
| V <sub>OPR(MIN)</sub>  | Turn-off Voltage                                   | –  | 6    | 6.8  | 7.6  | V    |
| <b>STANDBY CURRENT SECTION</b>   |  |  |      |      |      |      |
| I <sub>ST</sub>  | Turn-on Current                                    | V <sub>CC</sub> = V <sub>TH_ST</sub> -1V before startup      | 0    | 0.2  | 0.6  | μA   |
| I <sub>CC_OPR</sub>  | Operating Current                                  | Static current @ no load                                     | 350  | 500  | 650  |      |
| <b>OPERATING FREQUENCY SECTION (5% LOAD TO FULL LOAD)</b>                  |  |  |      |      |      |      |
| f <sub>S(MAX)</sub>  | Operating Frequency in Full Load Condition         | –  | –    | 65   | 80   | kHz  |
| Δf/f   | Frequency Dithering                                | 5% to 100% of full load range                                | 4    | 7    | 10   | %    |
| <b>OPERATING FREQUENCY SECTION (NO LOAD TO 5% OF I<sub>OUT(MAX)</sub>)</b> |  |  |      |      |      |      |
| f <sub>S(MIN)</sub>  | Output Voltage Detection Frequency                 | –  | 1.8  | 2    | 2.2  | kHz  |
| <b>CURRENT SENSE SECTION</b>   |  |  |      |      |      |      |
| V <sub>CS_H</sub>  | Peak Current Sense Voltage in Heavy Load           | 30% to 100% of full load                                     | 828  | 900  | 972  | mV   |
| ΔV <sub>CS</sub> /V <sub>CS</sub>  | V <sub>CS</sub> Modulation for Frequency Dithering | –  | –    | 2.5  | –    | %    |
| t <sub>MOD</sub>   | V <sub>CS</sub> Modulation Period                  | –  | –    | 250  | –    | μs   |
| R <sub>LINE</sub>  | Built-in Line Compensation Resistor                | –  | 200  | 230  | 260  | Ω    |
| t <sub>LEB</sub>   | Leading Edge Blanking                              | @ V <sub>CS_H</sub> and V <sub>CS_M</sub>                    | 410  | 500  | 575  | ns   |
|  |  | @ V <sub>CS_EL</sub>   | 220  | 250  | 288  | ns   |
| <b>CONSTANT VOLTAGE SECTION</b>  |  |  |      |      |      |      |
| V <sub>FB</sub>  | Equivalent Feedback Voltage @ Light Load           | Closed loop test of V <sub>OUT</sub>                         | 3.89 | 3.95 | 4.01 | V    |
| R <sub>FB</sub>  | FB Pin Input Resistance                            | –  | 560  | 700  | 840  | kΩ   |
| V <sub>CABLE</sub> /V <sub>OUT</sub>                                       | Cable Compensation Ratio                           | (V <sub>FB@FULLLOAD</sub> -V <sub>FB</sub> )/V <sub>FB</sub> | 5.65 | 6.00 | 6.40 | %    |
| <b>CONSTANT CURRENT SECTION</b>  |  |  |      |      |      |      |
| t <sub>ONS</sub> /t <sub>SW</sub>  | Secondary Winding Conduction Duty                  | V <sub>FB</sub> = 2V   | –    | 4/8  | –    | –    |
| <b>POWER MOSFET SECTION</b>  |  |  |      |      |      |      |
| BV <sub>DSS</sub>  | Drain-Source Breakdown Voltage                     | –  | 700  | –    | –    | V    |
| R <sub>DS(ON)</sub>  | On State Resistor                                  | –  | –    | –    | 1.4  | Ω    |
| <b>PROTECTION FUNCTION SECTION</b>   |  |  |      |      |      |      |
| V <sub>FB(OVP)</sub>   | Over Voltage Protection                            | –  | –    | 7.5  | –    | V    |
| V <sub>FB(SCP)</sub>   | Short Circuit Protection                           | V <sub>FB</sub> @ Hiccup                                     | 1.4  | 1.5  | 1.6  | V    |
| T <sub>OTP</sub>   | Shutdown Temperature                               | –  | +125 | +160 | –    | °C   |
| T <sub>HYS</sub>   | Temperature Hysteresis                             | –  | –    | +40  | –    | °C   |

**Operation Description**

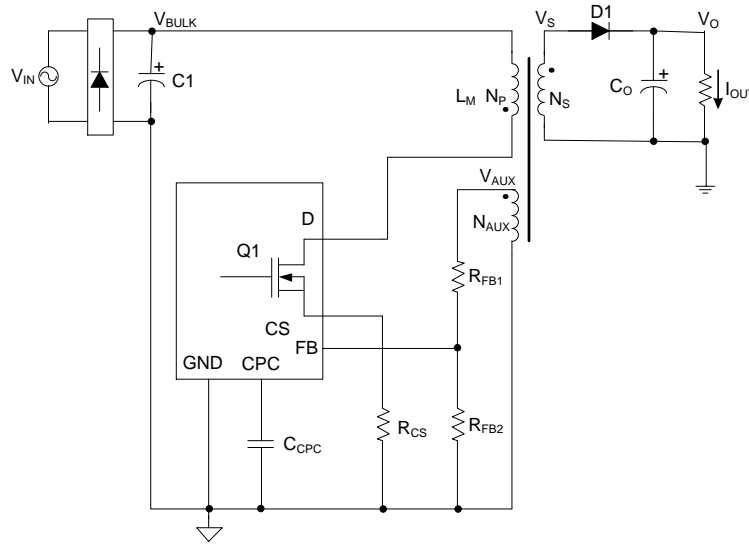


Figure 1. Simplified Flyback Converter Controlled by AP3983E

**Constant Primary Peak Current**

The primary  $i_P(t)$  current is sensed by a current sense resistor  $R_{CS}$  as shown in Figure 1.

The current rises up linearly at a rate of:

$$\frac{di_P(t)}{dt} = \frac{V_{BULK}(t)}{L_M} \dots\dots\dots (1)$$

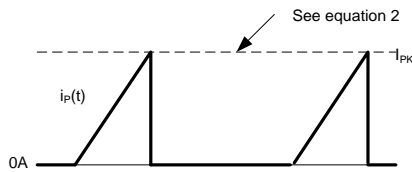


Figure 2. Primary Current Waveform

As illustrated in Figure 2, when the current  $i_P(t)$  rises up to  $I_{PK}$ , the switch Q1 turns off. The constant peak current is given by:

$$I_{PK} = \frac{V_{CS}}{R_{CS}} \dots\dots\dots (2)$$

The energy stored in the magnetizing inductance  $L_M$  each cycle is therefore:

$$E_g = \frac{1}{2} \cdot L_M \cdot I_{PK}^2 \dots\dots\dots (3)$$

So the power transferring from input to output is given by:

$$P = \frac{1}{2} \cdot L_M \cdot I_{PK}^2 \cdot f_{SW} \dots\dots\dots (4)$$

Where  $f_{SW}$  is the switching frequency. When the peak current  $I_{PK}$  is constant, the output power depends on the switching frequency  $f_{SW}$ .

**Constant Voltage Operation**

The AP3983E captures the auxiliary winding feedback voltage at FB pin and operates in constant-voltage (CV) mode to regulate the output voltage. Assuming the secondary winding is master, the auxiliary winding is slave during the D1 on-time. The auxiliary voltage is given by:

**Operation Description (Cont.)**

$$V_{AUX} = \frac{N_{AUX}}{N_S} \cdot (V_0 + V_D) \dots \dots \dots (5)$$

Where  $V_D$  is the diode forward drop voltage,  $N_{AUX}$  is the turns of auxiliary winding, and  $N_S$  is the turns of secondary winding.

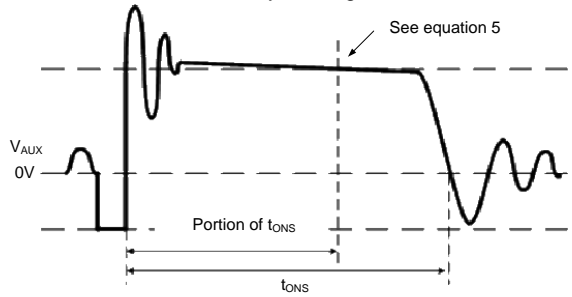


Figure 3. Auxiliary Voltage Waveform

The output voltage is different from the secondary voltage in a diode forward drop voltage  $V_D$  which depends on the current. If the secondary voltage is always detected at a constant secondary current, the difference between the output voltage and the secondary voltage will be a fixed  $V_D$ . The voltage detection point is portion of  $t_{ONS}$  after D1 is turned on. The CV loop control function of AP3983E then generates a D1 off-time to regulate the output voltage.

**Constant Current Operation**

The AP3983E is designed to work in constant current (CC) mode. Figure 4 shows the secondary current waveforms.

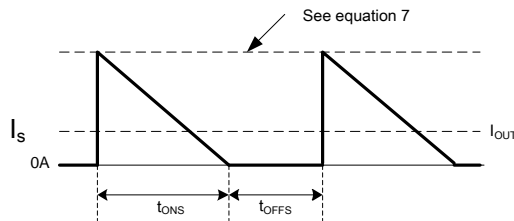


Figure 4. Secondary Current Waveform

In CC operation, the CC loop control function of AP3983E will keep a fixed proportion between D1 on-time  $t_{ONS}$  and D1 off-time  $t_{OFFS}$  by discharging or charging the built-in capacitance connected. This fixed proportion is

$$\frac{t_{ONS}}{t_{OFFS}} = \frac{4}{4} \dots \dots \dots (6)$$

The relation between the output constant-current and secondary peak current  $I_{PKS}$  is given by:

$$I_{OUT} = \frac{1}{2} \cdot I_{PKS} \cdot \frac{t_{ONS}}{t_{ONS} + t_{OFFS}} \dots \dots \dots (7)$$

At the instant of D1 turn-on, the primary current transfers to the secondary at an amplitude of:

$$I_{PKS} = \frac{N_P}{N_S} \cdot I_{PK} \dots \dots \dots (8)$$

Thus the output constant current is given by:

$$I_{OUT} = \frac{1}{4} \cdot \frac{N_P}{N_S} \cdot I_{PK} \dots \dots \dots (9)$$

## Operation Description (Cont.)

### Leading Edge Blanking (LEB)

When the power switch is turned on, a turn-on spike on the output pulse rising edge will occur on the sense-resistor. To avoid false termination of the switching pulse, a typical 500ns leading edge blanking is built in. During this blanking period, the current sense comparator is disabled and the gate driver cannot be switched off.

The built-in LEB in AP3983E has shorter delay time from current sense terminal to output pulse than those IC solutions adopting external RC filter as LEB.

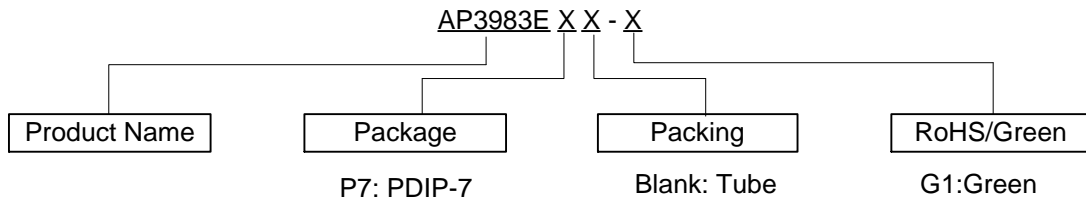
### Built-in Cable Compensation

The AP3983E has built-in fixed voltage of 0.3V typical to compensate the drop of output cable when the load is changed from zero to full load. A typical 10nF external capacitor connected to the CPC pin is used to smooth voltage signal for cable compensation.

### Over Temperature Protection

The AP3983E has internal thermal sensing circuit to shut down the PFM driver output when the die temperature reaches +160°C typical. When the die temperature drops about +40°C, the IC will recover automatically to normal operation.

## Ordering Information



| Package | Temperature Range | Part Number  | Marking ID   | Packing |
|---------|-------------------|--------------|--------------|---------|
| PDIP-7  | -40°C to +105°C   | AP3983EP7-G1 | AP3983EP7-G1 | 50/Tube |

## Marking Information

(Top View)

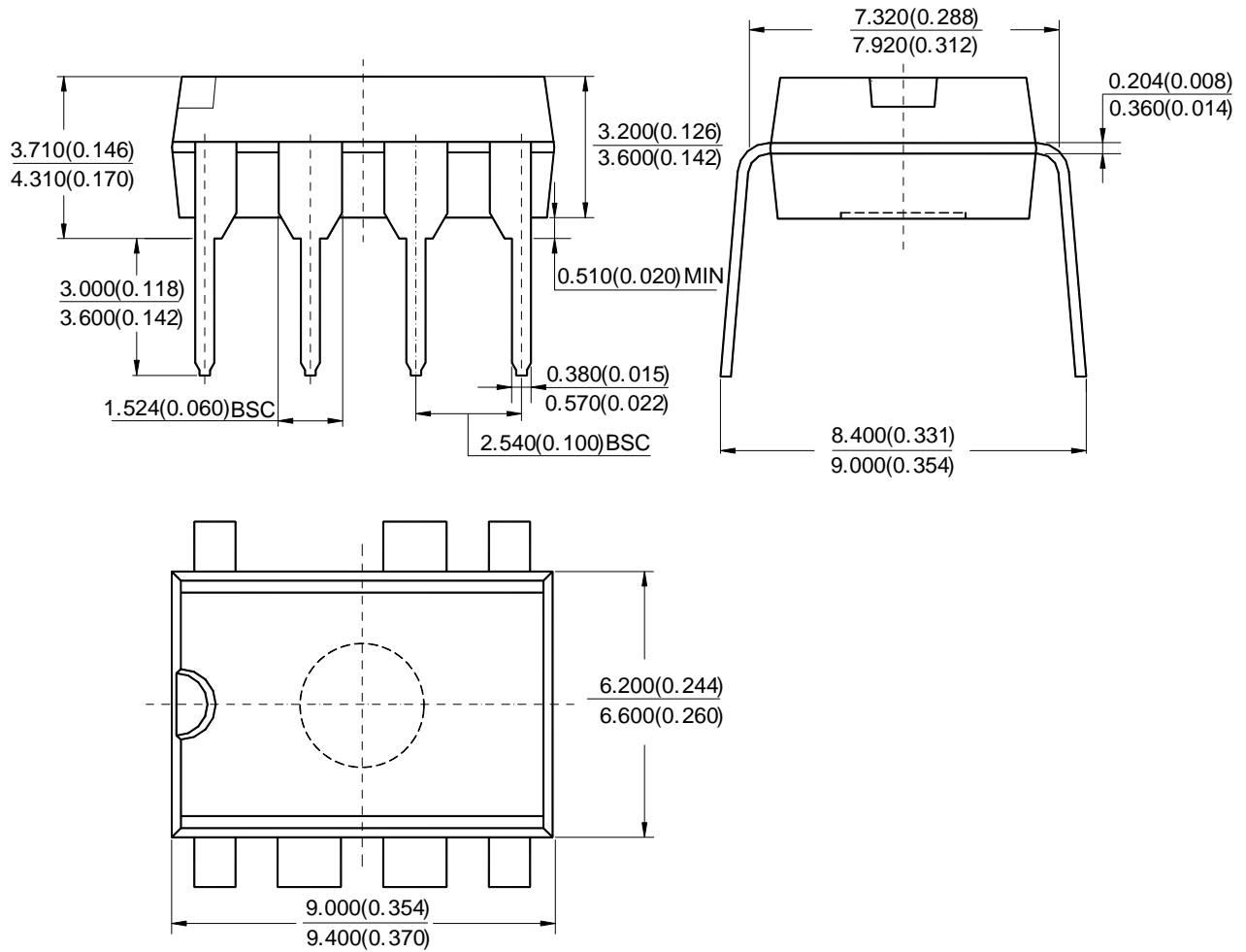


First Line: Logo and Marking ID  
 Second Line: Date Code  
 Y: Year  
 WW: Work Week of Molding  
 A: Assembly House Code  
 XX: 7<sup>th</sup> and 8<sup>th</sup> Digits of Batch No.



**Package Outline Dimensions** (All dimensions in mm(inch).)

(1) Package Type: PDIP-7



Note: Eject hole, oriented hole and mold mark is optional

NEW PRODUCT

**IMPORTANT NOTICE**

DIODES INCORPORATED MAKES NO WARRANTY OF ANY KIND, EXPRESS OR IMPLIED, WITH REGARDS TO THIS DOCUMENT, INCLUDING, BUT NOT LIMITED TO, THE IMPLIED WARRANTIES OF MERCHANTABILITY AND FITNESS FOR A PARTICULAR PURPOSE (AND THEIR EQUIVALENTS UNDER THE LAWS OF ANY JURISDICTION).

Diodes Incorporated and its subsidiaries reserve the right to make modifications, enhancements, improvements, corrections or other changes without further notice to this document and any product described herein. Diodes Incorporated does not assume any liability arising out of the application or use of this document or any product described herein; neither does Diodes Incorporated convey any license under its patent or trademark rights, nor the rights of others. Any Customer or user of this document or products described herein in such applications shall assume all risks of such use and will agree to hold Diodes Incorporated and all the companies whose products are represented on Diodes Incorporated website, harmless against all damages.

Diodes Incorporated does not warrant or accept any liability whatsoever in respect of any products purchased through unauthorized sales channel. Should Customers purchase or use Diodes Incorporated products for any unintended or unauthorized application, Customers shall indemnify and hold Diodes Incorporated and its representatives harmless against all claims, damages, expenses, and attorney fees arising out of, directly or indirectly, any claim of personal injury or death associated with such unintended or unauthorized application.

Products described herein may be covered by one or more United States, international or foreign patents pending. Product names and markings noted herein may also be covered by one or more United States, international or foreign trademarks.

This document is written in English but may be translated into multiple languages for reference. Only the English version of this document is the final and determinative format released by Diodes Incorporated.

**LIFE SUPPORT**

Diodes Incorporated products are specifically not authorized for use as critical components in life support devices or systems without the express written approval of the Chief Executive Officer of Diodes Incorporated. As used herein:

A. Life support devices or systems are devices or systems which:

1. are intended to implant into the body, or
2. support or sustain life and whose failure to perform when properly used in accordance with instructions for use provided in the labeling can be reasonably expected to result in significant injury to the user.

B. A critical component is any component in a life support device or system whose failure to perform can be reasonably expected to cause the failure of the life support device or to affect its safety or effectiveness.

Customers represent that they have all necessary expertise in the safety and regulatory ramifications of their life support devices or systems, and acknowledge and agree that they are solely responsible for all legal, regulatory and safety-related requirements concerning their products and any use of Diodes Incorporated products in such safety-critical, life support devices or systems, notwithstanding any devices- or systems-related information or support that may be provided by Diodes Incorporated. Further, Customers must fully indemnify Diodes Incorporated and its representatives against any damages arising out of the use of Diodes Incorporated products in such safety-critical, life support devices or systems.

Copyright © 2016, Diodes Incorporated

[www.diodes.com](http://www.diodes.com)

单击下面可查看定价，库存，交付和生命周期等信息

[>>Diodes Incorporated\(达达科技\(美台\)\)](#)