

## Description

AH372 is a single-digital-output Hall-Effect latch sensor with internal pull-up resistor for high temperature operation. The device includes an on-chip Hall voltage generator for magnetic sensing, an amplifier to amplify Hall voltage, and a comparator to provide switching hysteresis for noise rejection, and an output driver with a pull-up resistor. An internal band-gap regulator provides a temperature compensated supply voltage for internal circuits and allows a wide operating supply range.

When the magnetic flux density (B) perpendicular to the package is larger than operation point ( $B_{OP}$ ), output is switched on (OUT pin is pulled low). The output state is held on until a magnetic flux density reversal falls below  $B_{RP}$ . When B is less than  $B_{RP}$ , the output is switched off.

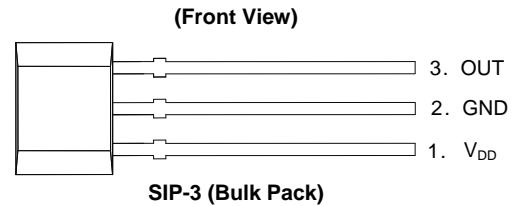
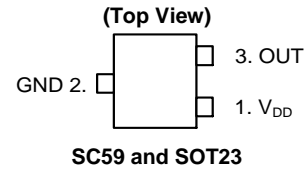
The AH372 is available in SIP-3 (Ammo Pack), SIP-3 (Bulk Pack), SC59 and SOT23 packages.

## Features

- Bipolar Hall Effect Latch Operation
- 2.2V to 20V Operating Range
- Single Output with Built-in Pull-up Resistor
- 25mA output Sink Capability
- -40°C to +125°C Operating Temperature
- Industry Standard SIP-3 (Ammo Pack), SIP-3 (Bulk Pack), SC59 and SOT23 Packages
- **Totally Lead-Free & Fully RoHS Compliant (Notes 1 & 2)**
- **Halogen and Antimony Free. "Green" Device (Note 3)**

- Notes:
1. No purposely added lead. Fully EU Directive 2002/95/EC (RoHS) & 2011/65/EU (RoHS 2) compliant.
  2. See [http://www.diodes.com/quality/lead\\_free.html](http://www.diodes.com/quality/lead_free.html) for more information about Diodes Incorporated's definitions of Halogen- and Antimony-free, "Green" and Lead-free.
  3. Halogen- and Antimony-free "Green" products are defined as those which contain <900ppm bromine, <900ppm chlorine (<1500ppm total Br + Cl) and <1000ppm antimony compounds.

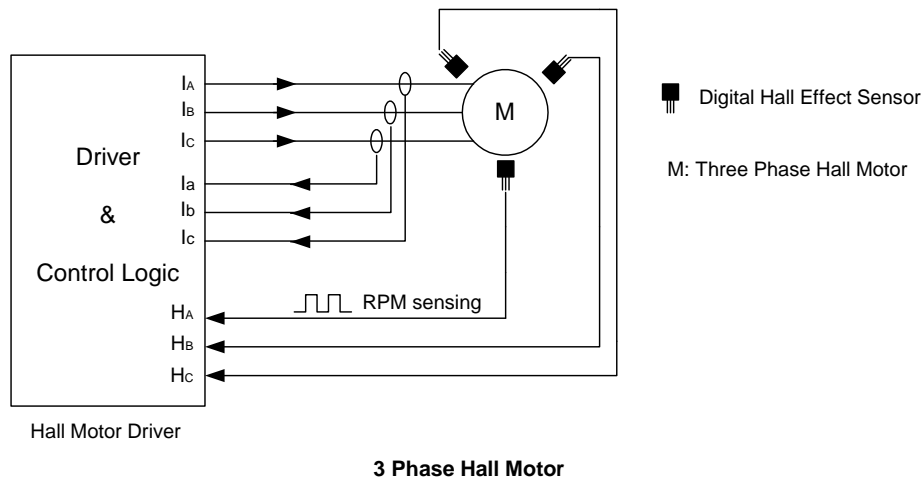
## Pin Assignments



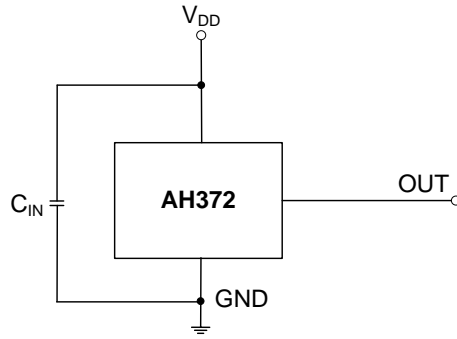
## Applications

- Rotor Position Sensing for Motor Commutation
- Encoder
- Speed Measurement – RPM Monitor
- Contact-Less Current Switch

## Typical Application Circuits



**Typical Application Circuits** (cont.)



**Typical AH372 Circuit**

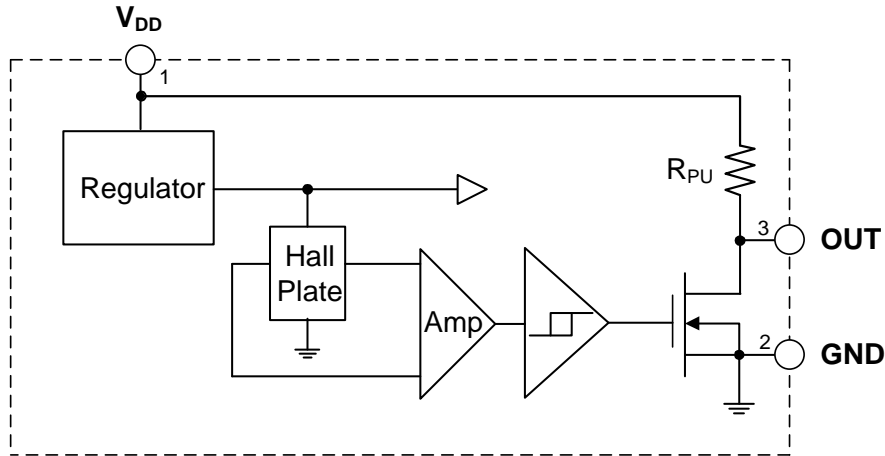
Note: 4. C<sub>IN</sub> is for power stabilization and to strengthen the noise immunity, the recommended capacitance is 100nF typical.

**Pin Descriptions**

Packages: SC59, SOT23, SIP-3 (Ammo Pack) and SIP-3 (Bulk Pack)

Pin Number	Pin Name	Function
1	V <sub>DD</sub>	Power Supply Input
2	GND	Ground
3	OUT	Output

**Functional Block Diagram**



**Absolute Maximum Ratings** (Note 5) @ $T_A = +25^{\circ}\text{C}$ , unless otherwise specified.

Symbol	Characteristics		Values	Unit
$V_{DD}$	Supply Voltage (Note 6)		28	V
$V_{OUT(OFF)}$	Output "Off" Voltage		28	V
$I_{O(SINK)}$	Output "On" Current (Sink)		25	mA
B	Magnetic Flux Density		Unlimited	
$P_D$	Package Power Dissipation	SIP-3 (Ammo Pack) and SIP-3 (Bulk Pack)	550	mW
		SC59 and SOT23	230	mW
$T_{STG}$	Storage Temperature Range		-65 to +150	$^{\circ}\text{C}$
$T_J$	Maximum Junction Temperature		+150	$^{\circ}\text{C}$

- Notes:
- Stresses greater than the 'Absolute Maximum Ratings' specified above may cause permanent damage to the device. These are stress ratings only; functional operation of the device at these or any other conditions exceeding those indicated in this specification is not implied. Device reliability may be affected by exposure to absolute maximum rating conditions for extended periods of time.
  - The absolute maximum  $V_{DD}$  of 28V is a transient stress rating and is not meant as a functional operating condition. It is not recommended to operate the device at the absolute maximum rated conditions for any period of time.

**Recommended Operating Conditions** (@ $T_A = +25^{\circ}\text{C}$ , unless otherwise specified.)

Symbol	Characteristic	Conditions	Rating	Unit
$V_{DD}$	Supply Voltage (Note 7)	Operating	2.2 to 20	V
$T_A$	Operating Temperature Range	Operating	-40 to +125	$^{\circ}\text{C}$

- Note: 7. The output of IC will be switched after the supply voltage is over 2.2V, but the magnetic characteristics will not be normal until the supply is over 2.5V.

**Electrical Characteristics** (@ $T_A = +25^{\circ}\text{C}$ ,  $V_{DD} = 12\text{V}$ , unless otherwise specified.)

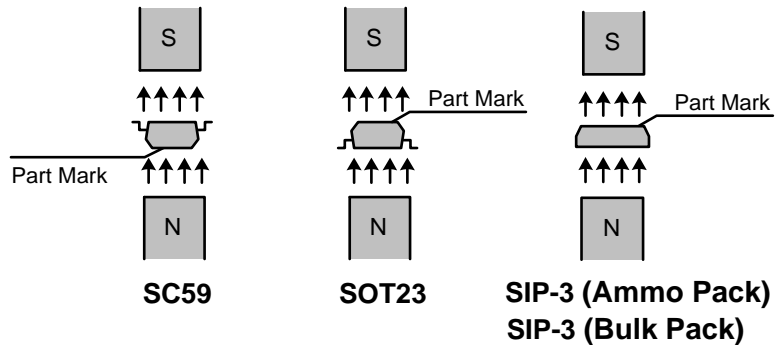
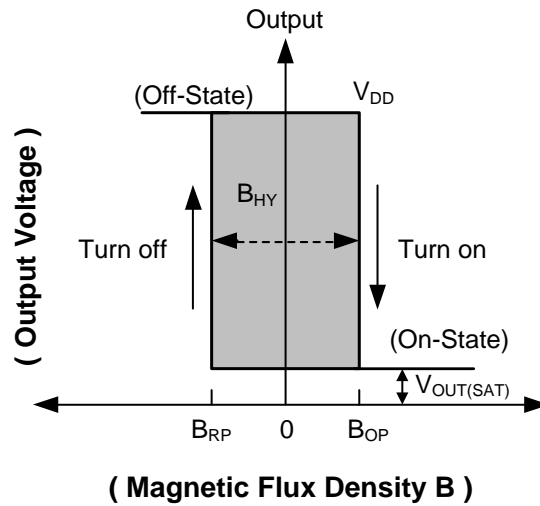
Symbol	Characteristic	Conditions	Min	Typ	Max	Unit
$V_{OUT}$	Output On Voltage	$I_{OUT} = 20\text{mA}$	—	300	400	mV
$I_{DD}$	Supply Current	$B < B_{RP}$	—	2	4	mA
$I_{OFF}$	Output Leakage Current	Output off	—	< 0.1	10	$\mu\text{A}$
$R_{PU}$	Internal Pull-up Resistor	—	7	10	13	$\text{k}\Omega$

**Magnetic Characteristics** (Note 8) (@ $T_A = +25^\circ\text{C}$ ,  $V_{DD} = 2.5\text{V}$  to  $20\text{V}$ , unless otherwise specified.)

(1mT=10 Gauss)

Symbol	Characteristic	Min	Typ	Max	Unit
$B_{OP}$ (South Pole to Part Marking Side for SIP-3 (Ammo Pack), SIP-3 (Bulk Pack) and SOT23; North Pole to Part Marking Side for SC59)	Operation Point	5	30	60	Gauss
$B_{RP}$ (South Pole to Part Marking Side for SIP-3 (Ammo Pack), SIP-3 (Bulk Pack) and SOT23; North Pole to Part Marking Side for SC59)	Release Point	-60	-30	-5	
$B_{HY}$ ( $ B_{OPX}  -  B_{RPX} $ )	Hysteresis	—	60	—	

Note: 8. The magnetic characteristics may vary with supply voltage, operating temperature and after soldering.

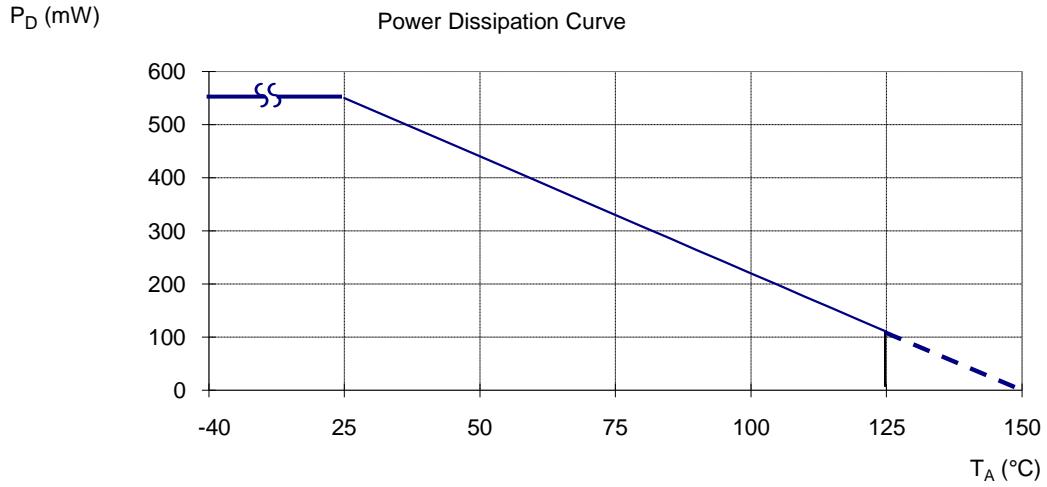


NEW PRODUCT

**Thermal Performance Characteristics**

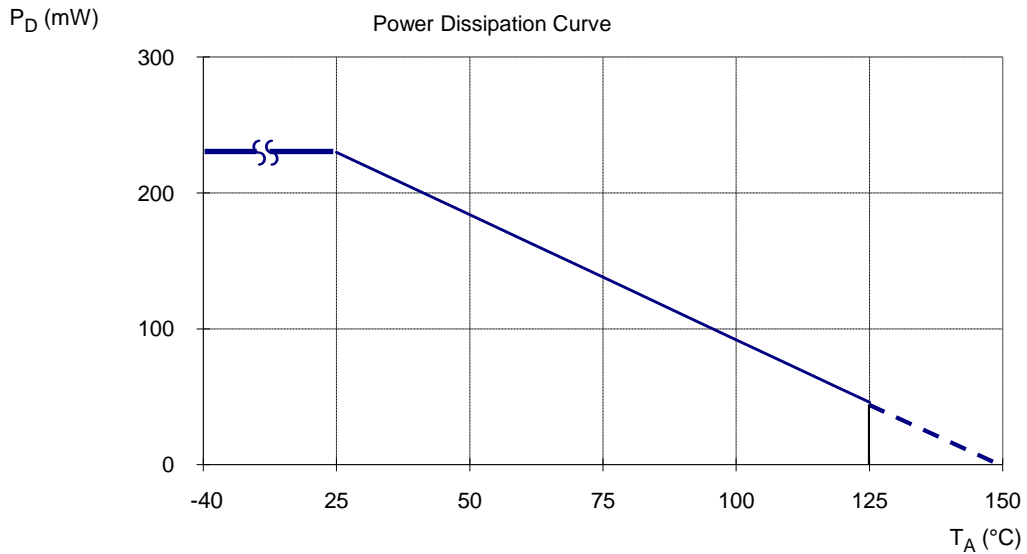
(1) Package Types: SIP-3 (Ammo Pack) and SIP-3 (Bulk Pack)

T <sub>A</sub> (°C)	25	50	60	70	80	85	90	95	100	105	110	115	120	125	130	135	140	150
P <sub>D</sub> (mW)	550	440	396	352	308	286	264	242	220	198	176	154	132	110	88	66	44	0

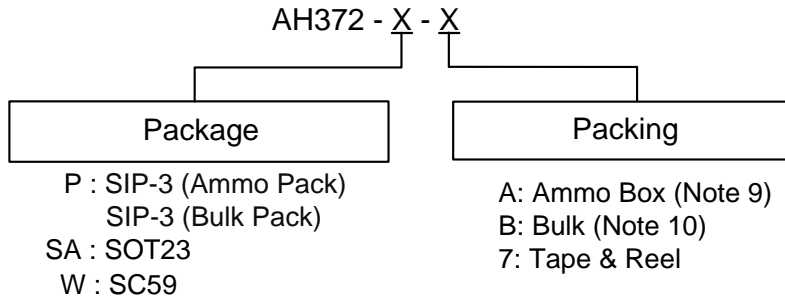


(2) Package Types: SC59 and SOT23

T <sub>A</sub> (°C)	25	50	60	70	80	85	90	100	110	120	130	140	150
P <sub>D</sub> (mW)	230	184	166	147	129	120	110	92	74	55	37	18	0



## Ordering Information



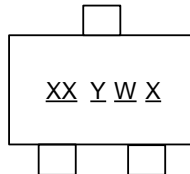
Part Number	Package Code	Packaging (Note 11)	Bulk		7" Tape and Reel		Ammo Box	
			Quantity	Part Number Suffix	Quantity	Part Number Suffix	Quantity	Part Number Suffix
AH372-P-A	P	SIP-3 (Ammo Pack)	NA	NA	NA	NA	4000/Box	-A
AH372-P-B	P	SIP-3 (Bulk Pack)	1000	-B	NA	NA	NA	NA
AH372-SA-7	SA	SOT23	NA	NA	3000/Tape & Reel	-7	NA	NA
AH372-W-7	W	SC59	NA	NA	3000/Tape & Reel	-7	NA	NA

Notes: 9. Ammo Box is for SIP-3 (Ammo Pack) Spread Lead.  
 10. Bulk is for SIP-3 (Bulk Pack) Straight Lead.  
 11. Reverse taping as shown on Diodes Inc. Surface Mount (SMD) Packaging document AP02007, which can be found on our website <http://www.diodes.com/datasheets/ap02007.pdf>.

## Marking Information

### (1) Package Types: SC59 and SOT23

( Top View )

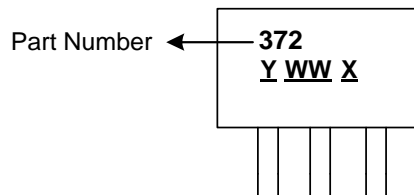


XX : Identification Code  
Y : Year 0 to 9  
W : Week : A to Z : 1 to 26 Week;  
 a to z : 27 to 52 Week; z Represents 52 and 53 Week  
X : Internal Code

Part Number	Package	Identification Code
AH372	SC59	XH
AH372	SOT23	YH

### (2) Package Types: SIP-3 (Ammo Pack) and SIP-3 (Bulk Pack)

( Front View )

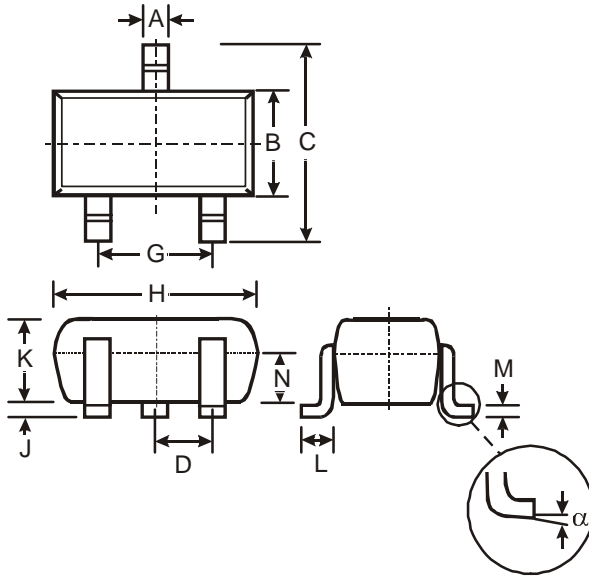


Y : Year : 0~9  
WW : Week : 01~52, "52" Represents 52 and 53 Week  
X : Internal Code

**Package Outline Dimensions**

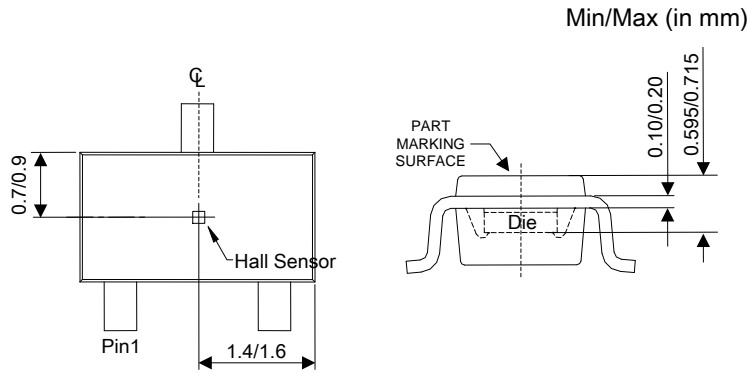
Please see <http://www.diodes.com/package-outlines.html> for the latest version.

(1) Package Type: SC59



SC59			
Dim	Min	Max	Typ
A	0.35	0.50	0.38
B	1.50	1.70	1.60
C	2.70	3.00	2.80
D	-	-	0.95
G	-	-	1.90
H	2.90	3.10	3.00
J	0.013	0.10	0.05
K	1.00	1.30	1.10
L	0.35	0.55	0.40
M	0.10	0.20	0.15
N	0.70	0.80	0.75
α	0°	8°	-
All Dimensions in mm			

NEW PRODUCT

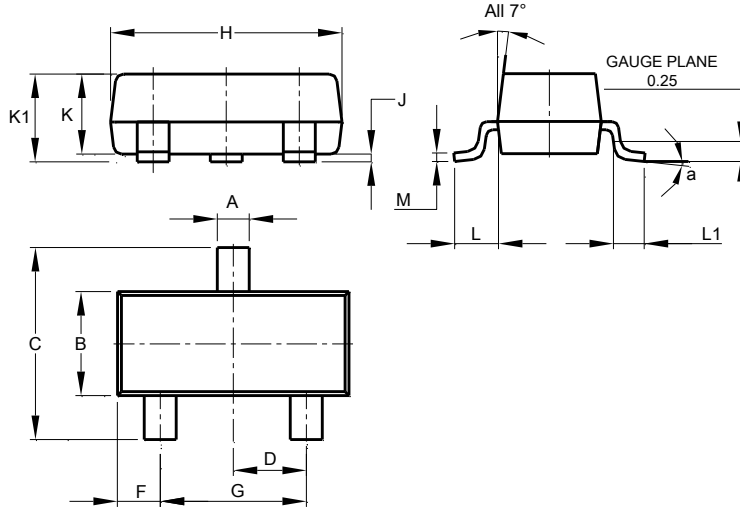


**Sensor Location**

**Package Outline Dimensions (cont.)**

Please see <http://www.diodes.com/package-outlines.html> for the latest version.

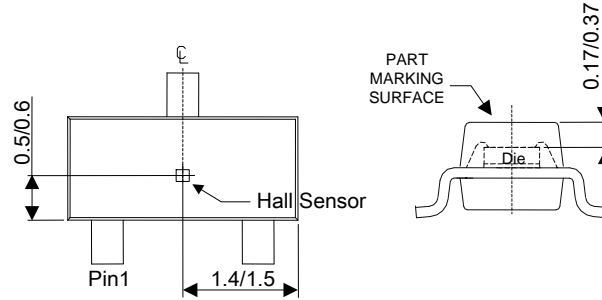
**(2) Package Type: SOT23**



SOT23			
Dim	Min	Max	Typ
A	0.37	0.51	0.40
B	1.20	1.40	1.30
C	2.30	2.50	2.40
D	0.89	1.03	0.915
F	0.45	0.60	0.535
G	1.78	2.05	1.83
H	2.80	3.00	2.90
J	0.013	0.10	0.05
K	0.890	1.00	0.975
K1	0.903	1.10	1.025
L	0.45	0.61	0.55
L1	0.25	0.55	0.40
M	0.085	0.150	0.110
a	0°	8°	--
<b>All Dimensions in mm</b>			

NEW PRODUCT

Min/Max (in mm)



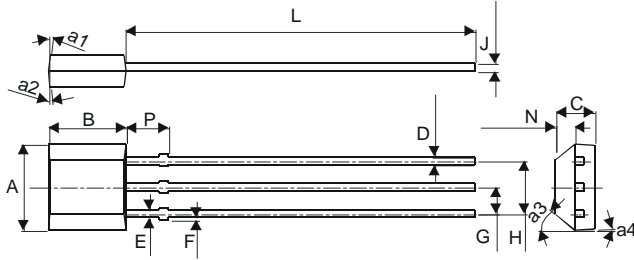
**Sensor Location**



**Package Outline Dimensions (cont.)**

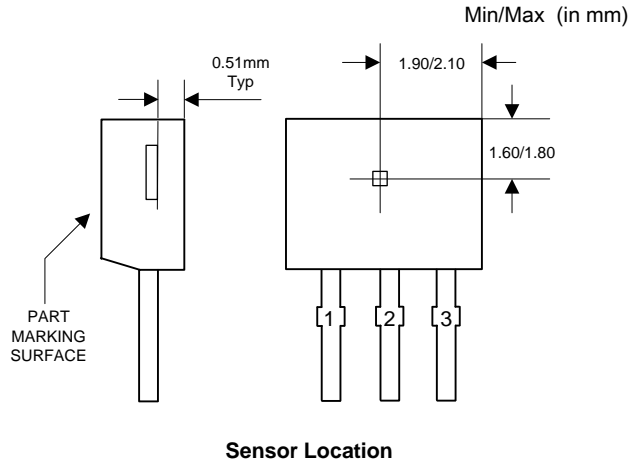
Please see <http://www.diodes.com/package-outlines.html> for the latest version.

**(3) Package Type: SIP-3 (Bulk Pack)**



SIP-3 (Bulk Pack)		
Dim	Min	Max
A	3.9	4.3
a1	5	Typ
a2	5	Typ
a3	45	Typ
a4	3	Typ
B	2.8	3.2
C	1.40	1.60
D	0.33	0.432
E	0.40	0.508
F	0	0.2
G	1.24	1.30
H	2.51	2.57
J	0.35	0.43
L	14.0	15.0
N	0.63	0.84
P	1.55	-
All Dimensions in mm		

Note: 12. SIP-3 (Bulk Pack) - Thickness J includes Burrs

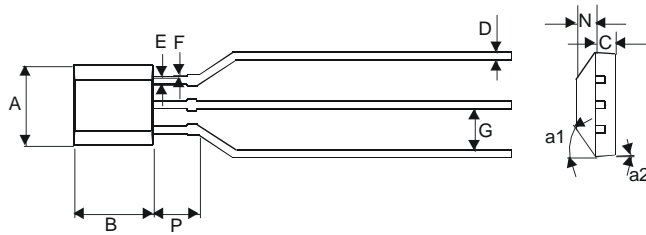


NEW PRODUCT

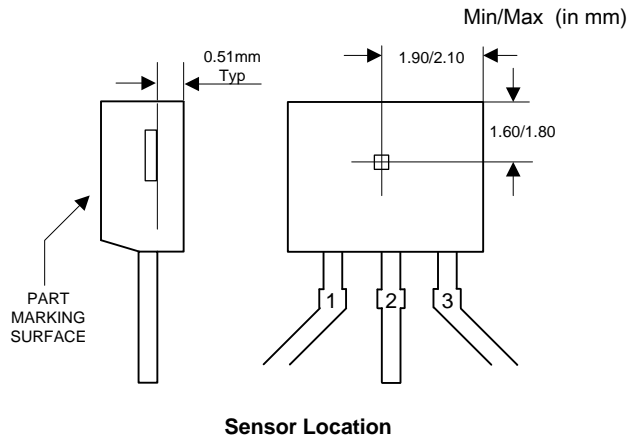
**Package Outline Dimensions (cont.)**

Please see <http://www.diodes.com/package-outlines.html> for the latest version.

**(4) Package Type: SIP-3 (Ammo Pack)**



SIP-3 (Ammo Pack)		
Dim	Min	Max
A	3.9	4.3
a1	45	Typ
a2	3	Typ
B	2.8	3.2
C	1.40	1.60
D	0.35	0.41
E	0.43	0.48
F	0	0.2
G	2.4	2.9
N	0.63	0.84
P	1.55	-
All Dimensions in mm		

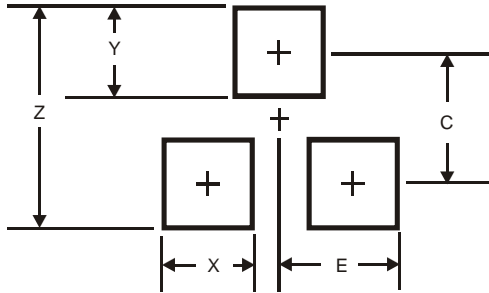


NEW PRODUCT

**Suggested Pad Layout**

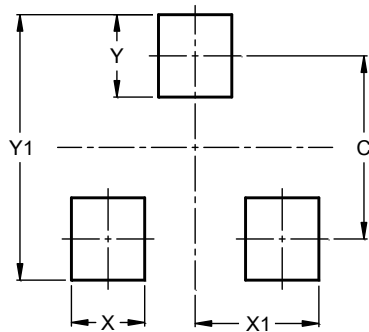
Please see <http://www.diodes.com/package-outlines.html> for the latest version.

(1) Package Type: SC59



Dimensions	Value (in mm)
Z	3.4
X	0.8
Y	1.0
C	2.4
E	1.35

(2) Package Type: SOT23



Dimensions	Value (in mm)
C	2.0
X	0.8
X1	1.35
Y	0.9
Y1	2.9

NEW PRODUCT

**IMPORTANT NOTICE**

DIODES INCORPORATED MAKES NO WARRANTY OF ANY KIND, EXPRESS OR IMPLIED, WITH REGARDS TO THIS DOCUMENT, INCLUDING, BUT NOT LIMITED TO, THE IMPLIED WARRANTIES OF MERCHANTABILITY AND FITNESS FOR A PARTICULAR PURPOSE (AND THEIR EQUIVALENTS UNDER THE LAWS OF ANY JURISDICTION).

Diodes Incorporated and its subsidiaries reserve the right to make modifications, enhancements, improvements, corrections or other changes without further notice to this document and any product described herein. Diodes Incorporated does not assume any liability arising out of the application or use of this document or any product described herein; neither does Diodes Incorporated convey any license under its patent or trademark rights, nor the rights of others. Any Customer or user of this document or products described herein in such applications shall assume all risks of such use and will agree to hold Diodes Incorporated and all the companies whose products are represented on Diodes Incorporated website, harmless against all damages.

Diodes Incorporated does not warrant or accept any liability whatsoever in respect of any products purchased through unauthorized sales channel. Should Customers purchase or use Diodes Incorporated products for any unintended or unauthorized application, Customers shall indemnify and hold Diodes Incorporated and its representatives harmless against all claims, damages, expenses, and attorney fees arising out of, directly or indirectly, any claim of personal injury or death associated with such unintended or unauthorized application.

Products described herein may be covered by one or more United States, international or foreign patents pending. Product names and markings noted herein may also be covered by one or more United States, international or foreign trademarks.

This document is written in English but may be translated into multiple languages for reference. Only the English version of this document is the final and determinative format released by Diodes Incorporated.

**LIFE SUPPORT**

Diodes Incorporated products are specifically not authorized for use as critical components in life support devices or systems without the express written approval of the Chief Executive Officer of Diodes Incorporated. As used herein:

A. Life support devices or systems are devices or systems which:

1. are intended to implant into the body, or
2. support or sustain life and whose failure to perform when properly used in accordance with instructions for use provided in the labeling can be reasonably expected to result in significant injury to the user.

B. A critical component is any component in a life support device or system whose failure to perform can be reasonably expected to cause the failure of the life support device or to affect its safety or effectiveness.

Customers represent that they have all necessary expertise in the safety and regulatory ramifications of their life support devices or systems, and acknowledge and agree that they are solely responsible for all legal, regulatory and safety-related requirements concerning their products and any use of Diodes Incorporated products in such safety-critical, life support devices or systems, notwithstanding any devices- or systems-related information or support that may be provided by Diodes Incorporated. Further, Customers must fully indemnify Diodes Incorporated and its representatives against any damages arising out of the use of Diodes Incorporated products in such safety-critical, life support devices or systems.

Copyright © 2016, Diodes Incorporated

[www.diodes.com](http://www.diodes.com)

单击下面可查看定价，库存，交付和生命周期等信息

[>>Diodes Incorporated\(达达科技\(美台\)\)](#)