

AUTOMOTIVE COMPLIANT LOW KNEE CURRENT 3.3V VOLTAGE REFERENCE
Description

The ZRC330Q uses a bandgap circuit design to achieve a precision micropower voltage reference of 3.3 volts. The device is available in a small outline surface mount package, ideal for applications where space saving is important.

The ZRC330Q design provides a stable voltage without an external capacitor and is stable with capacitive loads. The ZRC330Q is recommended for operation between 20µA and 5mA, and so is ideally suited to low power and battery powered applications.

Excellent performance is maintained to an absolute maximum of 25mA, however the rugged design and 20 volt processing allows the reference to withstand transient effects and currents up to 200mA. Superior switching capability allows the device to reach stable operating conditions in only a few microseconds.

The ZRC330Q has been qualified to AEC-Q100 Grade 1 and is Automotive Compliant supporting PPAPs.

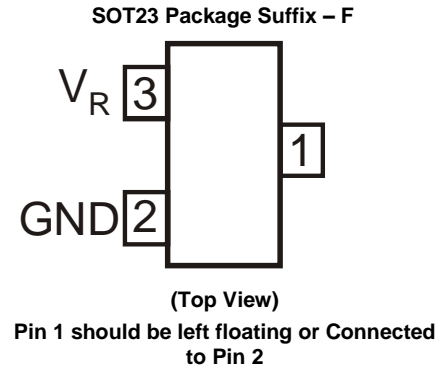
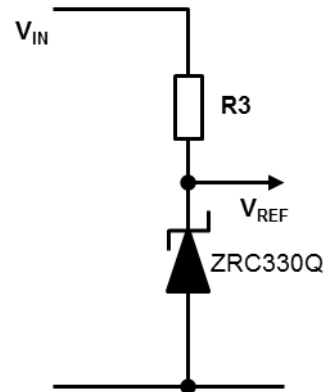
Features

- Temperature Range: -40°C to +125°C
- Low Knee Current, 15µA Typical
- Reference Voltage Tolerance at +25°C
 - 1%: ZRC330QF01
 - 2%: ZRC330QF02
- No Stabilizing Capacitor Required
- Typical Slope Resistance: 0.6Ω
- ±1% Tolerance
- Operating Current 20µA to 5mA
- **Totally Lead-Free & Fully RoHS Compliant (Notes 1 & 2)**
- **Halogen and Antimony Free. "Green" Device (Note 3)**
- **Qualified to AEC-Q100 Standards for High Reliability**
 - **AEC-Q100 Grade 1**
 - **PPAP Capable (Note 4)**

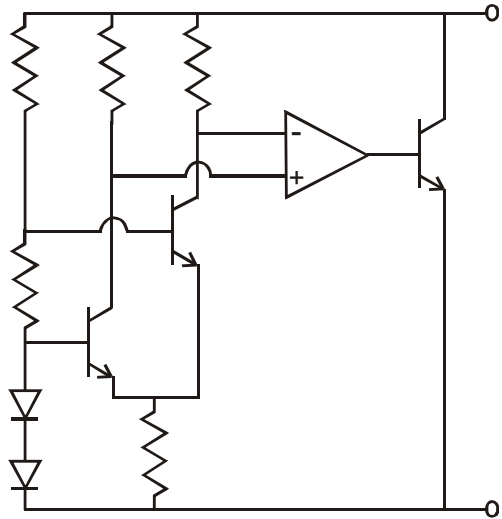
Applications

- Automotive Measurement Systems
- Automotive Instrumentation
- Automotive Reference
- Automotive Data Acquisition Systems
- Precision Power Supplies

- Notes:
1. No purposely added lead. Fully EU Directive 2002/95/EC (RoHS) & 2011/65/EU (RoHS 2) compliant.
 2. See http://www.diodes.com/quality/lead_free.html for more information about Diodes Incorporated's definitions of Halogen- and Antimony-free, "Green" and Lead-free.
 3. Halogen- and Antimony-free "Green" products are defined as those which contain <900ppm bromine, <900ppm chlorine (<1500ppm total Br + Cl) and <1000ppm antimony compounds.
 4. Automotive products are AEC-Q100 qualified and are PPAP capable. Refer to http://www.diodes.com/quality/product_compliance_definitions/.

Pin Assignments

Typical Application Circuit


Functional Block Diagram



Absolute Maximum Ratings

Parameter		Rating	Unit
Reverse Current		25	mA
Forward Current		25	mA
Junction Temperature		+150	°C
Storage Temperature		-55 to +125	°C
ESD Susceptibility			
HBM	Human Body Model	4	kV
MM	Machine Model	100	V
CDM	Charged Device Model	1	kV

Caution: Stresses greater than the 'Absolute Maximum Ratings' specified above, may cause permanent damage to the device. These are stress ratings only; functional operation of the device at conditions between maximum recommended operating conditions and absolute maximum ratings is not implied. Device reliability may be affected by exposure to absolute maximum rating conditions for extended periods of time.

(Semiconductor devices are ESD sensitive and may be damaged by exposure to ESD events. Suitable ESD precautions should be taken when handling and transporting these devices.)

Package Thermal Data

Package	θ_{JA}	P_{DIS}
SOT23 ($T_A = +25^\circ\text{C}$, $T_J = +125^\circ\text{C}$)	380°C/W	260mW

Recommended Operating Conditions

Parameter	Rating	Unit
Reverse Current	5	mA
Ambient Temperature	-40 to +125	°C
Junction Temperature	-40 to +125	°C

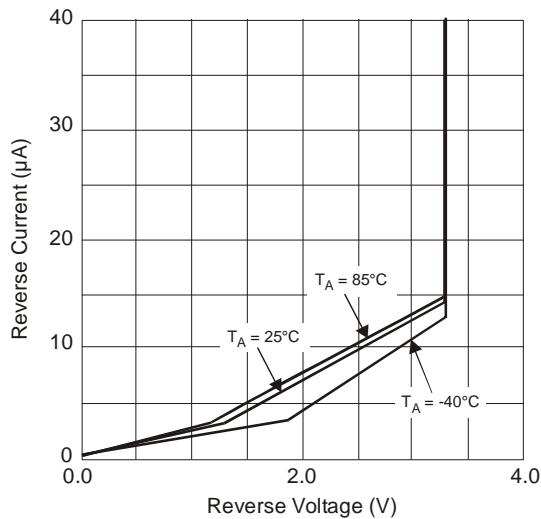
Electrical Characteristics (@T_A = +25°C, unless otherwise specified.)

Symbol	Parameter	Condition	Min.	Typ.	Max.	Unit	
V _R	Reverse Breakdown Voltage	I _R = 150μA	ZRC330QF01	3.27	3.3	3.33	V
			ZRC330QF02	3.234	—	3.366	
I _{MIN}	Minimum Operating Current	—	—	15	20	μA	
I _R	Recommended Operating Current	—	0.02	—	5	mA	
T _C	Average Reverse Breakdown Voltage Temperature Coefficient (Note 5)	I _{R(MIN)} to I _{R(MAX)}	—	15	50	ppm/°C	
			—	0.6	2		
R _S	Slope resistance (Note 6)	—	—	0.6	2	Ω	
Z _R	Reverse Dynamic Impedance	I _R = 1mA, f = 100Hz I _{AC} = 0.1I _R	—	0.5	1.2	Ω	
E _N	Wideband Noise Voltage	I _R = 150μA, f = 10Hz to 10kHz	—	75	—	μV(rms)	

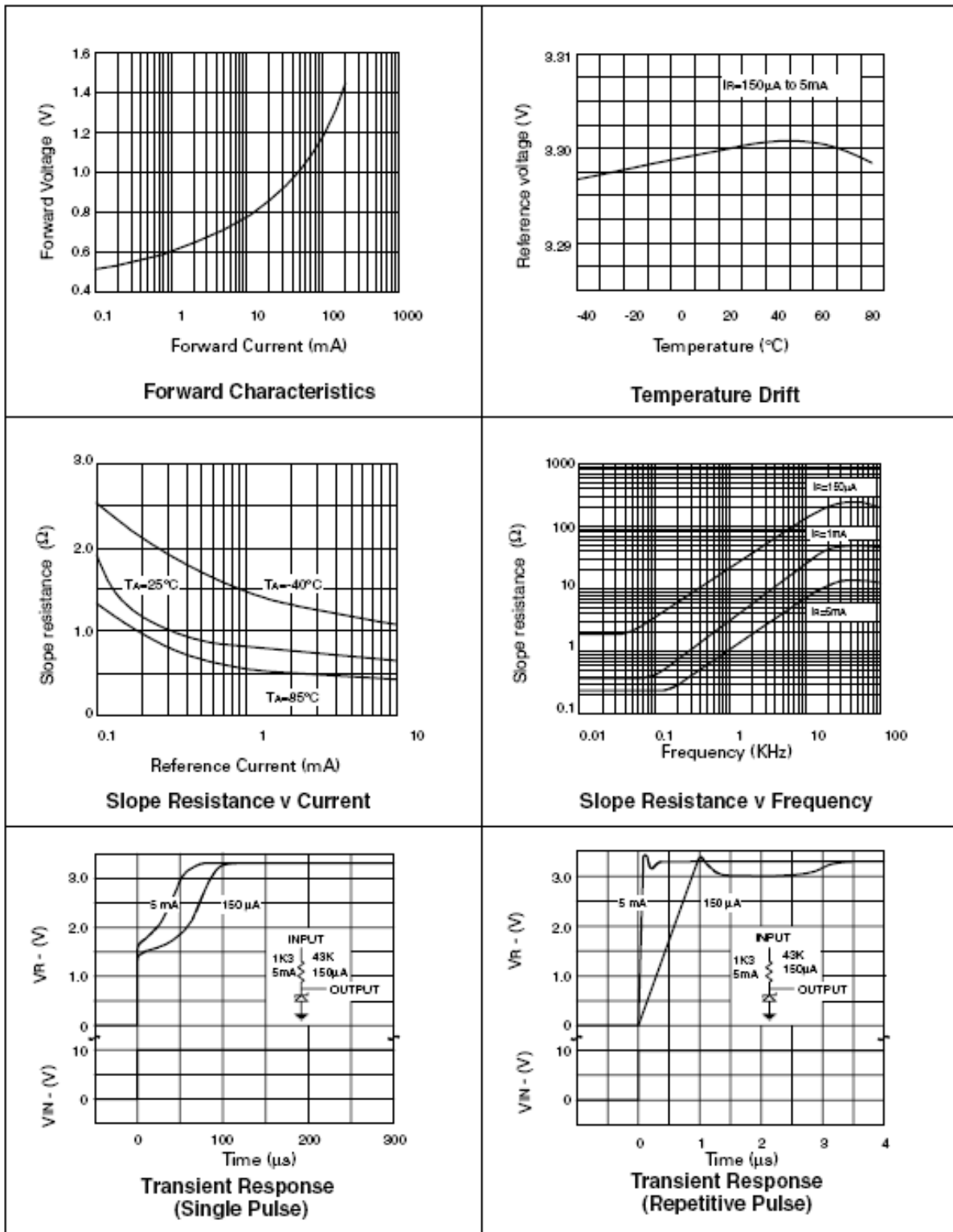
Notes: 5. $T_C = \frac{(V_{R(MAX)} - V_{R(MIN)}) \times 1000000}{V_R \times (T_{(MAX)} - T_{(MIN)})}$

where: V_{R(MAX)} – V_{R(MIN)} is the maximum deviation in reference voltage measured over the full operating temperature range

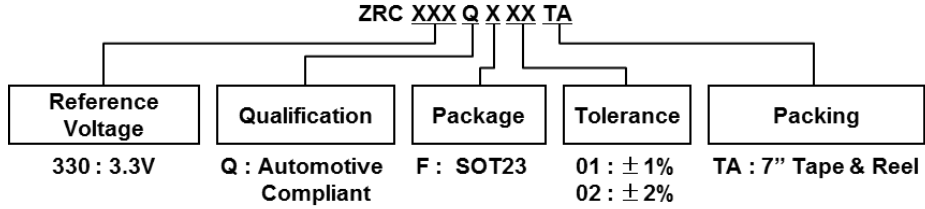
6. $R_S = \frac{V_R \text{ Change}(I_{R(MIN)} \text{ to } I_{R(MAX)})}{I_{R(MAX)} - I_{R(MIN)}}$



Typical Characteristics



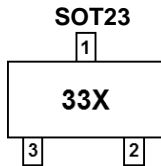
Ordering Information (Note 7)



Part Number	Tol (%)	Package (Note 7)	Package Code	Identification Code	Reel Size (inches)	Quantity per Reel	Tape Width (mm)	Qualification Grade (Note 8)
ZRC330QF01TA	1	SOT23	F	33C	7", 180mm	3,000	8	Automotive Compliant
ZRC330QF02TA	2	SOT23	F	33B	7", 180mm	3,000	8	Automotive Compliant

- Notes: 7. For packaging details, go to our website at <http://www.diodes.com/products/packages.html>.
 8. ZRC330Q has been qualified to AEC-Q100 grade 1 and is classified as "Automotive Compliant" supporting PPAP documentation. Automotive, AEC-Q100 and standard products are electrically and thermally the same, except where specified. For more information, please refer to http://www.diodes.com/quality/product_compliance_definitions/. See ZRC330 datasheet for commercial qualified versions.

Marking Information

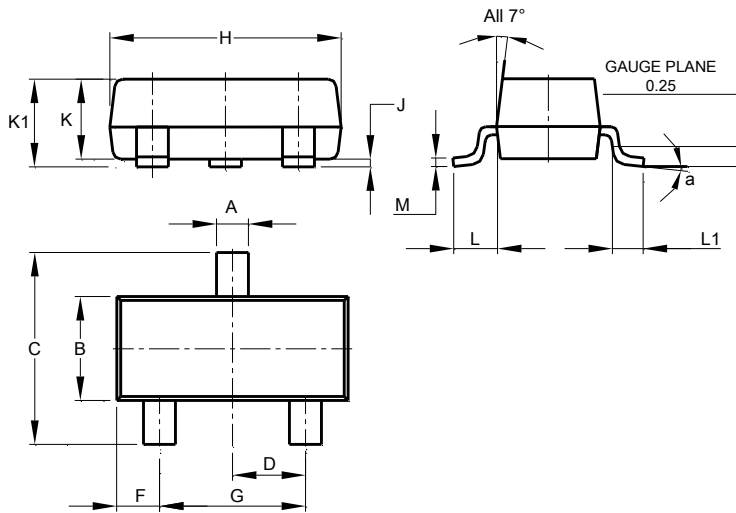


Part Number	XXX : Identification Code
ZRC330QF01TA	33C
ZRC330QF02TA	33B

Package Outline Dimensions

Please see <http://www.diodes.com/package-outlines.html> for latest version.

SOT23

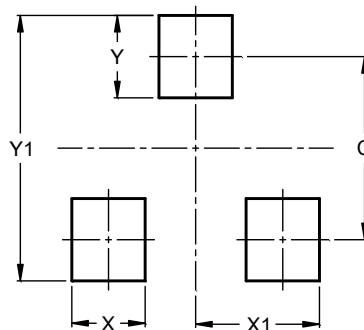


SOT23			
Dim	Min	Max	Typ
A	0.37	0.51	0.40
B	1.20	1.40	1.30
C	2.30	2.50	2.40
D	0.89	1.03	0.915
F	0.45	0.60	0.535
G	1.78	2.05	1.83
H	2.80	3.00	2.90
J	0.013	0.10	0.05
K	0.890	1.00	0.975
K1	0.903	1.10	1.025
L	0.45	0.61	0.55
L1	0.25	0.55	0.40
M	0.085	0.150	0.110
a	0°	8°	—
All Dimensions in mm			

Suggested Pad Layout

Please see <http://www.diodes.com/package-outlines.html> for latest version.

SOT23



Dimensions	Value (in mm)
C	2.0
X	0.8
X1	1.35
Y	0.9
Y1	2.9

IMPORTANT NOTICE

DIODES INCORPORATED MAKES NO WARRANTY OF ANY KIND, EXPRESS OR IMPLIED, WITH REGARDS TO THIS DOCUMENT, INCLUDING, BUT NOT LIMITED TO, THE IMPLIED WARRANTIES OF MERCHANTABILITY AND FITNESS FOR A PARTICULAR PURPOSE (AND THEIR EQUIVALENTS UNDER THE LAWS OF ANY JURISDICTION).

Diodes Incorporated and its subsidiaries reserve the right to make modifications, enhancements, improvements, corrections or other changes without further notice to this document and any product described herein. Diodes Incorporated does not assume any liability arising out of the application or use of this document or any product described herein; neither does Diodes Incorporated convey any license under its patent or trademark rights, nor the rights of others. Any Customer or user of this document or products described herein in such applications shall assume all risks of such use and will agree to hold Diodes Incorporated and all the companies whose products are represented on Diodes Incorporated website, harmless against all damages.

Diodes Incorporated does not warrant or accept any liability whatsoever in respect of any products purchased through unauthorized sales channel. Should Customers purchase or use Diodes Incorporated products for any unintended or unauthorized application, Customers shall indemnify and hold Diodes Incorporated and its representatives harmless against all claims, damages, expenses, and attorney fees arising out of, directly or indirectly, any claim of personal injury or death associated with such unintended or unauthorized application.

Products described herein may be covered by one or more United States, international or foreign patents pending. Product names and markings noted herein may also be covered by one or more United States, international or foreign trademarks.

This document is written in English but may be translated into multiple languages for reference. Only the English version of this document is the final and determinative format released by Diodes Incorporated.

LIFE SUPPORT

Diodes Incorporated products are specifically not authorized for use as critical components in life support devices or systems without the express written approval of the Chief Executive Officer of Diodes Incorporated. As used herein:

A. Life support devices or systems are devices or systems which:

1. are intended to implant into the body, or
2. support or sustain life and whose failure to perform when properly used in accordance with instructions for use provided in the labeling can be reasonably expected to result in significant injury to the user.

B. A critical component is any component in a life support device or system whose failure to perform can be reasonably expected to cause the failure of the life support device or to affect its safety or effectiveness.

Customers represent that they have all necessary expertise in the safety and regulatory ramifications of their life support devices or systems, and acknowledge and agree that they are solely responsible for all legal, regulatory and safety-related requirements concerning their products and any use of Diodes Incorporated products in such safety-critical, life support devices or systems, notwithstanding any devices- or systems-related information or support that may be provided by Diodes Incorporated. Further, Customers must fully indemnify Diodes Incorporated and its representatives against any damages arising out of the use of Diodes Incorporated products in such safety-critical, life support devices or systems.

Copyright © 2016, Diodes Incorporated

www.diodes.com

单击下面可查看定价，库存，交付和生命周期等信息

[>>Diodes Incorporated\(达达科技\(美台\)\)](#)