

# PI2EQX5964

## 5.0Gbps 4-Lane PCIe<sup>®</sup> 2.0 ReDriver with Equalization, Emphasis, & I<sup>2</sup>C Control

### Description

The PI2EQX5964 is a low power, PCIe<sup>®</sup> compliant signal redriver. The device provides programmable equalization, amplification, and de-emphasis by using 8 select bits, to optimize performance over a variety of physical mediums by reducing Inter-symbol interference.

PI2EQX5964 supports eight 100-Ohm Differential CML data I/O's between the Protocol ASIC to a switch fabric, across a backplane, or extends the signals across other distant data pathways on the user's platform.

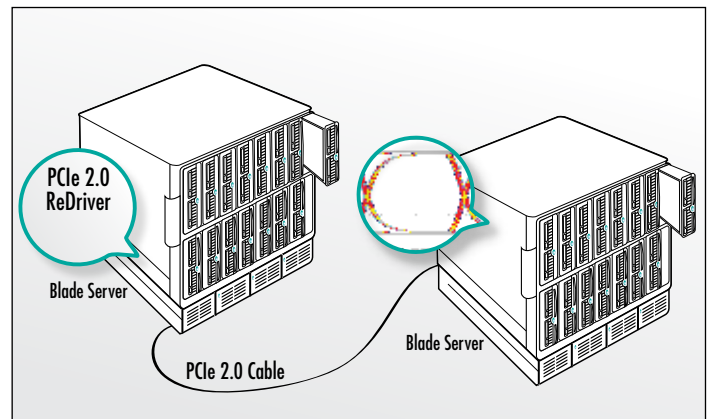
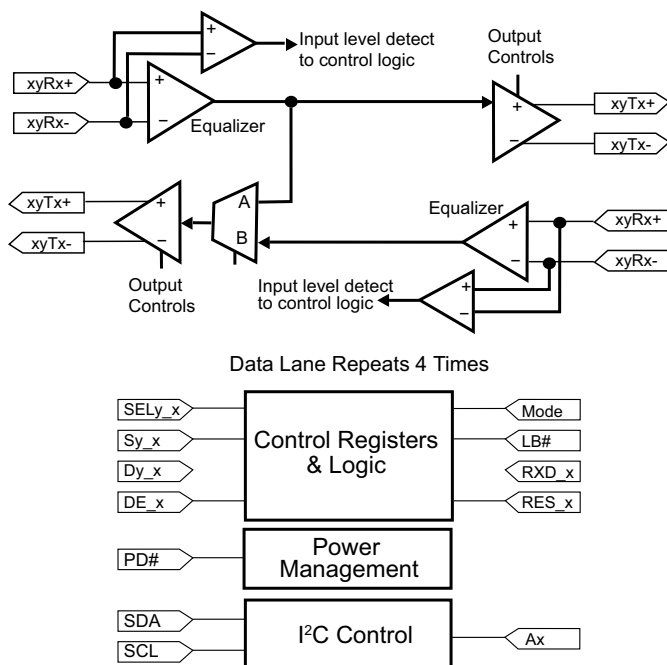
The integrated equalization circuitry provides flexibility with signal integrity of the PCI Express signal before the ReDriver, whereas the integrated de-emphasis circuitry provides flexibility with signal integrity of the signal after the redriver.

In addition to providing signal re-conditioning, Diodes' PI2EQX5964 also provides power management Stand-by mode operated by a Bus Enable pin.

### Features

- Up to 5.0Gbps PCI Express<sup>®</sup> 2.0 Serial ReDriver
- Supporting 8 differential channels or 4 lanes of PCIe Interface
- I<sup>2</sup>C configuration controls (3.3V tolerant)
- Adjustable receiver equalization and transmitter de-emphasis and output levels
- Variable input and output termination
- 1:2 channel broadcast
- Channel loop-back/Mux and Demux Mode
- Electrical Idle fully supported
- Receiver detect and individual output control
- Fine adjustment of electrical idle threshold via I<sup>2</sup>C
- Single supply voltage, 1.2V ± 0.05V
- Power down modes
- Industrial Temp support, -40°C ~ +85°C
- Packaging: 56-contact TQFN, Pb-free & Green

### Application Diagram



单击下面可查看定价，库存，交付和生命周期等信息

[>>Diodes Incorporated\(达达科技\(美台\)\)](#)