

4-Channel PCI Express Video/Audio Decoder with Stereo Audio

Features

- High Quality Live 4 channels video and audio decoder with proprietary 60 mV weak composite signal recovery, 5H adaptive comb filter and Smart Sink-Tip technologies for weak, noisy, or unstable signals and enables 500 meter cables connection
- Accepts NTSC(M,J), NTSC 4.43, PAL (B, D, G, H, I, M, Nc) and PAL60 with 27.0 MHz reference clock
- High quality H/V scaler with arbitrary scale-down up to 1/16 independently for each dimension
- Supports YUV 422/411 (Planar/Packed) and RGB (32/24/16/15) outputs
- Independent odd/even field video processing (Cropping/Scaler/Formatter control)
- 4 channels stereo audio input simultaneously with standard 16/18 bit width stereo I2S output - 44.1/48 KHz sampling rates
- High-speed 10-bit ADC and independent channel controls
- 16 bits High Order Sigma-Delta Modulation ADC with 80 dB SNR
- 1-port PCI Express Gen 1 Interface
- Two-wire serial interface(I2C) for brightness, contrast, saturation, hue, and sharpness control configuration
- Automatic gain control (AGC) for the best signal-to-noise performance
- Programmable field/frame decimation and cropping function

- Smart power management for the low power operation
- Optional BT.656 video outputs at 27, 54 and 108 MHz with Byte-interleaved format
- Packages: 128-contact LQFP

Description

The PI7C9X9204 is an PCIe Gen 1 integrated single-chip solution that supports Live 4 channels composite video and audio decoder. Pericom's proprietary technologies of Sink-Tip, weak signal recovery and 5H comb filter enable to support 500~700 meter single cable connection with the most cost-effective solution. High-speed 10-bit ADC and independent channel control with standard I2S audio output is another advantage of this product for the media broadcasting, industrial and military surveillance devices.

Application

- PCIe-based embedded DVR
- Video analytic system
- Video broadcasting server

Block Diagram

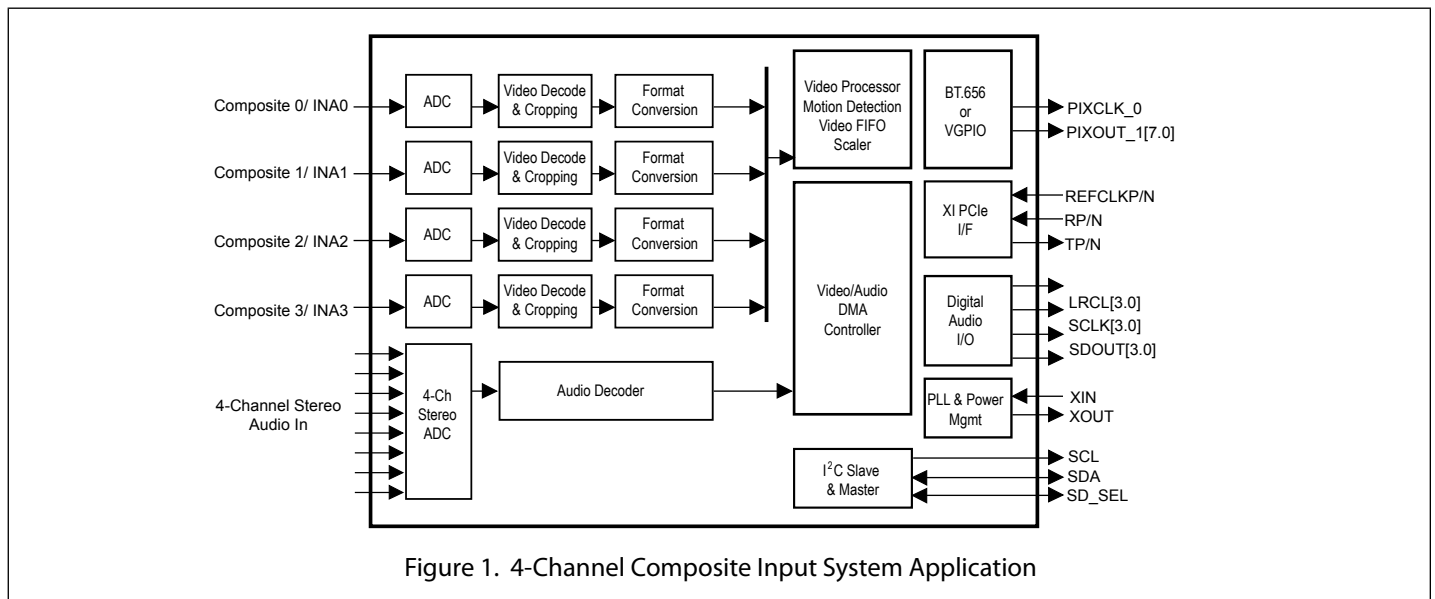


Figure 1. 4-Channel Composite Input System Application

Ordering Information

Ordering Code	Package Code	Package Type
PI7C9X9208FDIE	FDI128 (EPad)	128-pin LQFP, Industrial Temp, Pb-free & Green

Notes:

1. Thermal characteristics can be found on the company web site at :
<https://www.pericom.com/support/packaging/packaging-mechanicals-and-thermal-characteristics/>
2. "E" = Pb free and Green, adding an "X" suffix = Tape/Reel

Related Products

Part Number	Product Description
PI7C9X99204S	4-Channel PCIe Video Decoder with Stereo Audio, Industrial Application Support
PT7M8206	LDO Regulator

INFORMATION IN THIS DOCUMENT IS PROVIDED IN CONNECTION WITH PERICOM PRODUCT. NO LICENSE, EXPRESS OR IMPLIED, BY ESTOPPEL OR OTHERWISE, TO ANY INTELLECTUAL PROPERTY RIGHTS IS GRANTED BY THIS DOCUMENT. EXCEPT AS PROVIDED IN PERICOM'S TERMS AND CONDITIONS OF SALE FOR SUCH PRODUCTS INCLUDING LIABILITY OR WARRANTIES RELATING TO FITNESS FOR A PARTICULAR PURPOSE, MERCHANT ABILITY, OR INFRINGEMENT OF ANY PATENT, COPYRIGHT OR OTHER INTELLECTUAL PROPERTY RIGHT.

Pericom may make changes to specifications and product descriptions at any time, without notice. Designers must not rely on the absence or characteristics of any features or instructions marked "reserved" or "undefined". Pericom reserves these for future definition and shall have no responsibility whatsoever for conflicts or incompatibilities arising from future changes to them. The products described in this document may contain design defects or errors known as errata which may cause the product to deviate from published specification. Current characterized errata are available on request.

Contact your local Pericom Sales office or your distributor to obtain the latest specifications and before placing your product order.

Copyright 2012 Pericom Corporation. All rights reserved. Pericom and the Pericom logo are trademarks of Pericom Corporation in the U.S. and other countries.

单击下面可查看定价，库存，交付和生命周期等信息

[>>Diodes Incorporated\(达达科技\(美台\)\)](#)