

DIO2112H

2-Vrms Audio Driver with Adjustable Gain

Features

- Voltage Output at 10kΩ Load
2 Vrms With 3.3V Supply Voltage
- Ultra Low Distortion
SNR>100dB
Typical $V_n < 10\mu\text{Vrms}$
THD+N<0.001% at 2Vrms
- No Pop/Clicks Noise when Power ON/OFF
- No Need for Output DC-Blocking Capacitors
- Optimized Frequency Response between
20Hz–20kHz
- Accepting Differential Input
- Featuring external under voltage mute
- Available in TSSOP-14 and DQFN-16
Package

Applications

- Set-Top Boxes
- High Definition DVD Players
- Car Entertainment System
- Medical

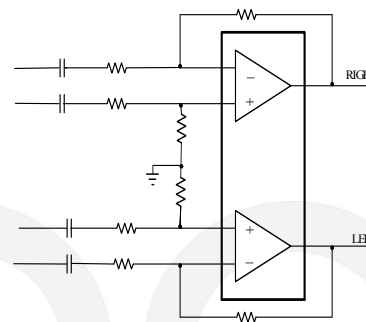
Descriptions

The DIO2112H is an integrated solution for Set-top box and high definition player, and designed to optimize the audio driver circuit performance while reducing the BOM cost by eliminating the peripheral discrete components for noise reduction. DIO2112H features a 2Vrms stereo audio driver that designed to allow for the removal of output AC-coupling capacitors.

Featuring differential input mode, gain range of $\pm 1 \text{ V/V}$ to $\pm 10 \text{ V/V}$ can be achieved via external gain resistor setting. The DIO2112H is able to offer 2Vrms output with 10kΩ load and 3.3V supply.

Meanwhile, the DIO2112H offers built-in shut-down control circuitry for optimal pop-free performance. Under the under-voltage condition, DIO2112H is able to detect it and mutes the output.

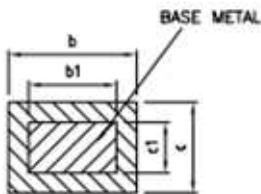
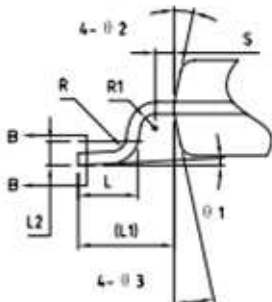
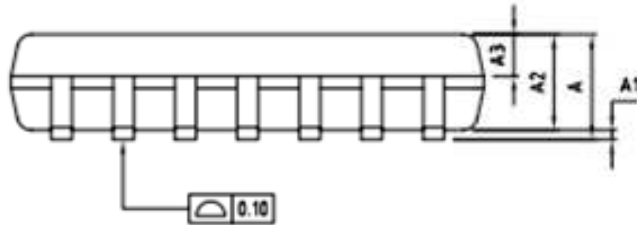
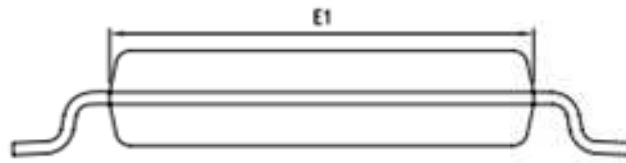
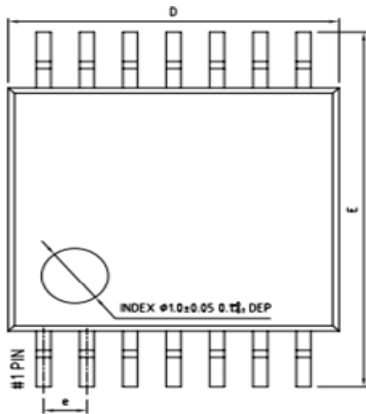
Block Diagram



Ordering Information

Order Part Number	Top Marking		T _A	Package	
DIO2112HTP14	DIO2112H	Green/RoHS	-40 to +85°C	TSSOP-14	Tape & Reel, 2500
DIO2112HLN16	D21	Green	-40 to +85°C	DQFN-16	Tape & Reel, 3000

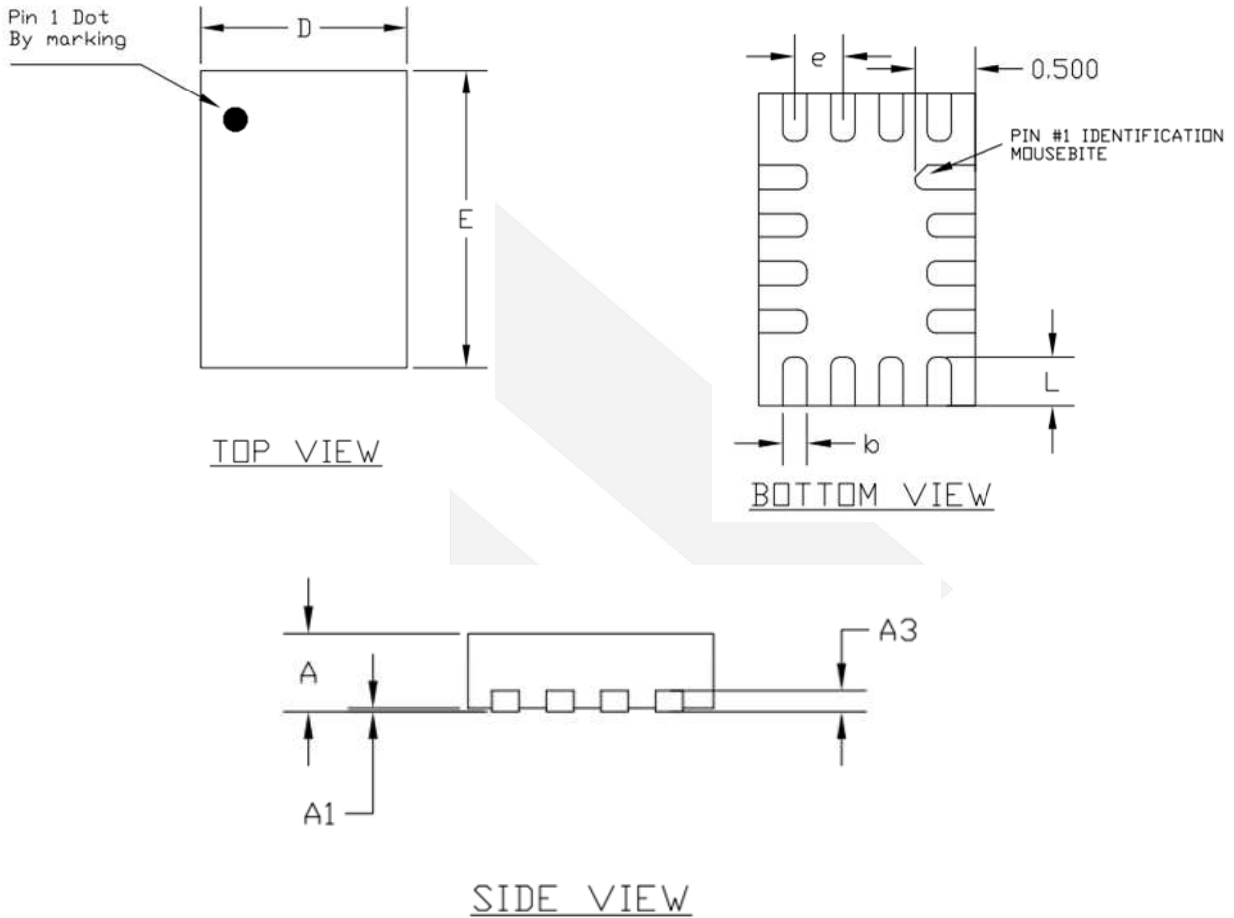
Physical Dimensions: TSSOP-14



SECTION B-B

Symbol	Dimensions In Millimeters		
	Min	Nom	Max
A	-	-	1.20
A1	0.05	-	0.15
A2	0.90	1.00	1.05
A3	0.34	0.44	0.54
b	0.20	-	0.28
b1	0.20	0.22	0.24
c	0.10	-	0.19
c1	0.10	0.13	0.15
D	4.86	4.96	5.06
E	6.20	6.40	6.60
E1	4.30	4.40	4.50
e	0.65BSC		
L	0.45	0.60	0.75
L1	1.00REF		
L2	0.25BSC		
R	0.09	-	-
R1	0.09	-	-
S	0.20	-	-
$\theta 1$	0°	-	8°
$\theta 2$	10°	12°	14°
$\theta 3$	10°	12°	14°

Physical Dimensions: DQFN-16



		COMMON DIMENSIONS(MM)		
PKG.		UT: ULTRA THIN		
REF.		MIN.	NOM	MAX
A		>0.50	0.55	0.60
A1		0.00	-	0.05
A3		0.15 REF.		
D		1.75	1.80	1.85
E		2.55	2.60	2.65
L		0.35	0.40	0.45
b		0.15	0.20	0.25
e		0.40 BSC		

CONTACT US

Dioo is a professional design and sales corporation for high-quality and performance analog semiconductors. The company focuses on industry markets, such as, cell phone, handheld products, laptop, and medical equipments and so on. Dioo's product families include analog signal processing and amplifying, LED drivers and charger IC. Go to <http://www.dioo.com> for a complete list of Dioo product families.

For additional product information, or full datasheet, please contact with our Sales Department or Representatives.



单击下面可查看定价，库存，交付和生命周期等信息

[>>Dioo\(帝奥微\)](#)