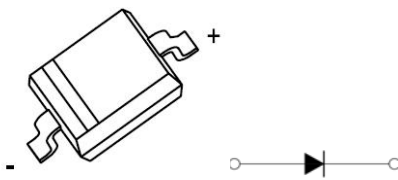


FAST SWITCHING DIODE	SOD-323 Plastic-Encapsulate Diodes
<p style="text-align: center;"><u>SOD-323</u></p>  <p style="text-align: center;">Marking :A</p>	<p>Features</p> <ul style="list-style-type: none"> <li>● <b>Small surface mounting type</b></li> <li>● <b>High speed</b></li> <li>● <b>High reliability with high surge current handling capability</b></li> </ul>

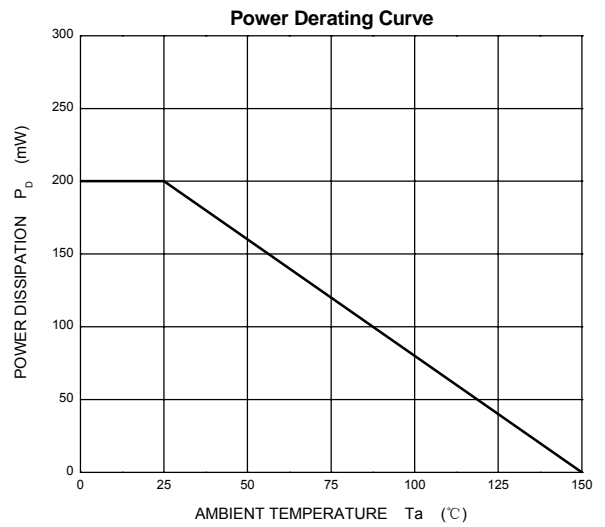
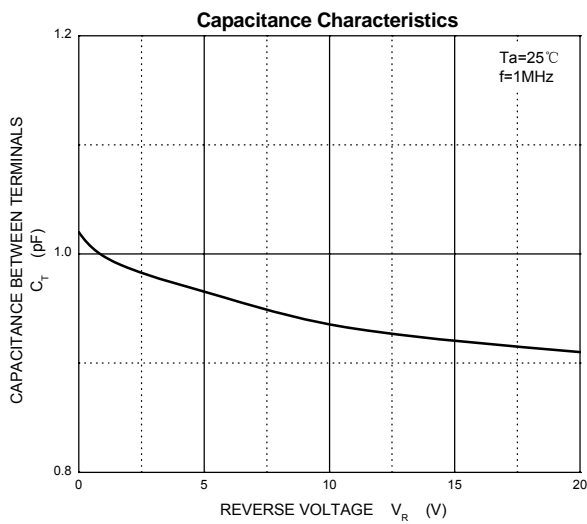
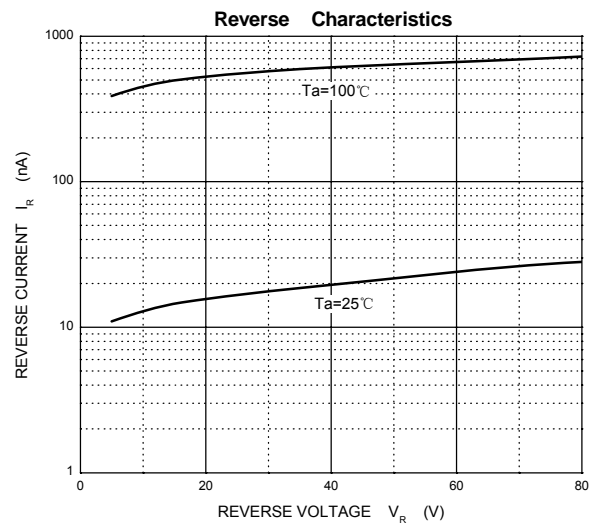
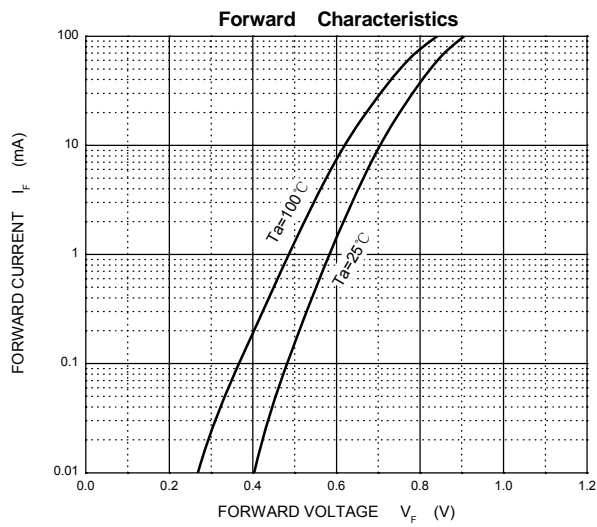
**Maximum Ratings and Electrical Characteristics, Single Diode @Ta=25°C**

Parameter	Symbol	Limit	Unit
Non-repetitive peak reverse voltage	$V_{RM}$	90	V
DC blocking voltage	$V_R$	80	V
Peak forward current	$I_{FM}$	225	mA
Average rectified output current	$I_O$	100	mA
Non-Repetitive Peak Forward Surge Current @t=8.3ms	$I_{FSM}$	2.0	A
Power Dissipation	$P_D$	200	mW
Thermal Resistance from Junction to Ambient	$R_{\theta JA}$	625	°C/W
Operation Junction and Storage Temperature Range	$T_J, T_{STG}$	-55~+150	°C

**Electrical Ratings @Ta=25°C**

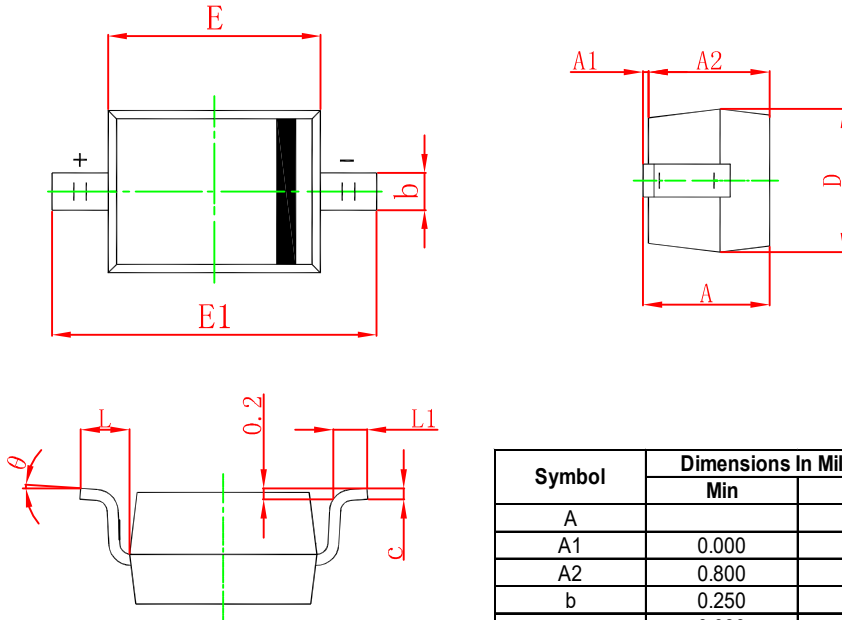
Parameter	Symbol	Min	Typ	Max	Unit	Conditions
Forward voltage	$V_F$			1.2	V	$I_F=100mA$
Reverse current	$I_R$			0.1	μA	$V_R=80V$
Capacitance between terminals	$C_T$			3	pF	$V_R=0.5V, f=1MHz$
Reverse recovery time	$t_{rr}$			4	ns	$I_F=10mA, V_R=6V, R_L=100\Omega$

**Typical Characteristics**



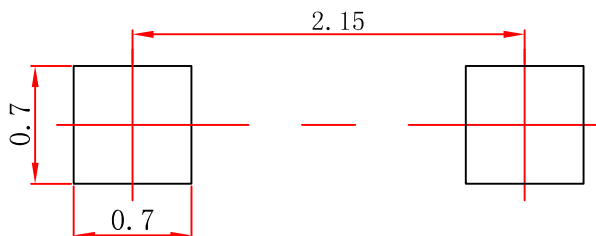
**CHANGJING ELEC.TECH.  
PACKAGE OUTLINE AND PAD LAYOUT INFORMATION**

**SOD-323 Package Outline Dimensions**



Symbol	Dimensions In Millimeters		Dimensions In Inches	
	Min	Max	Min	Max
A		1.100		0.043
A1	0.000	0.100	0.000	0.004
A2	0.800	1.000	0.031	0.039
b	0.250	0.350	0.010	0.014
c	0.080	0.150	0.003	0.006
D	1.200	1.400	0.047	0.055
E	1.600	1.800	0.063	0.071
E1	2.500	2.750	0.098	0.108
L	0.475 REF		0.019 REF	
L1	0.250	0.400	0.010	0.016
θ	0°	8°	0°	8°

**SOD-323 Suggested Pad Layout**



**Note:**  
 1. Controlling dimension: in millimeters.  
 2. General tolerance:  $\pm 0.05\text{mm}$ .  
 3. The pad layout is for reference purposes only.

单击下面可查看定价，库存，交付和生命周期等信息

[>>DIOS\(迪恩思\)](#)