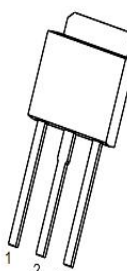
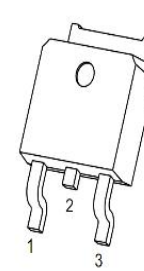
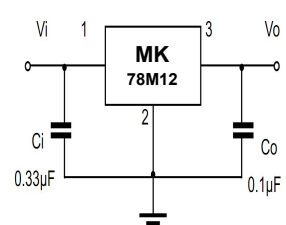


<p>Three-terminal positive voltage regulator</p>	<p>TO-252/TO-251 Plastic-Encapsulate Voltage Regulators</p>
<p style="text-align: center;"><u>TO-251-3L/TO-252-2L</u></p> <div style="display: flex; justify-content: space-around; align-items: center;"> <div style="text-align: center;">  <p>1.IN 2.GND 3.OUT</p> </div> <div style="text-align: center;">  <p>1 2 3</p> </div> </div> <p>MARKING: MK 78M12 MKD / U **** MK→logo (D→252) / (U→251) ****→Date</p>	<p>Features</p> <ul style="list-style-type: none"> ※ Maximum output current IOM: 1A ※ Output voltage VO: 12V ※ Continuous total dissipation PD: 1.25W <p>TYPICAL APPLICATION:</p> 

Absolute Maximum ratings (Operating temperature range applies unless otherwise specific)

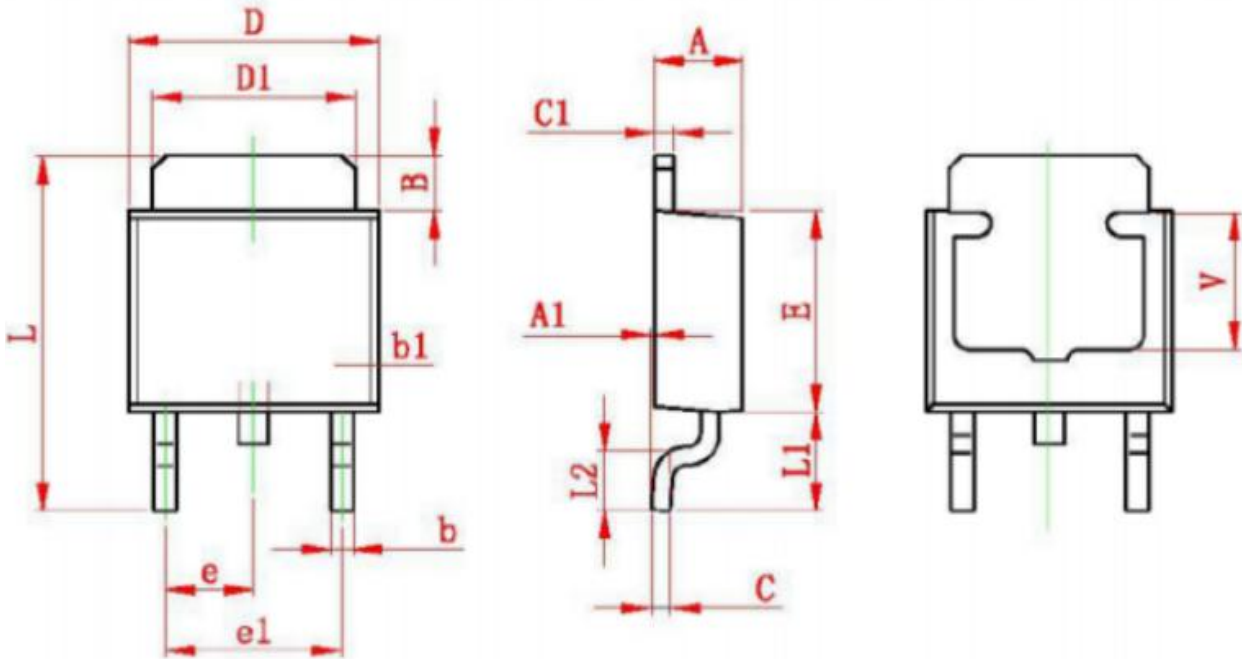
Parameter	Symbol	Value	Unit
Input Voltage	Vi	35	V
Thermal Resistance From Junction to air	RθJA	80	°C/W
Operating Junction Temperature Range	TOPR	-25~+125	°C
Storage Temperature Range	TSTG	-55~+150	°C

Electrical Characteristics At Specified Virtual Junction Temperature

(Vi=19V, Io=350mA, Ci=0.33µF, Co=0.1µF. Unless Otherwise Specified)

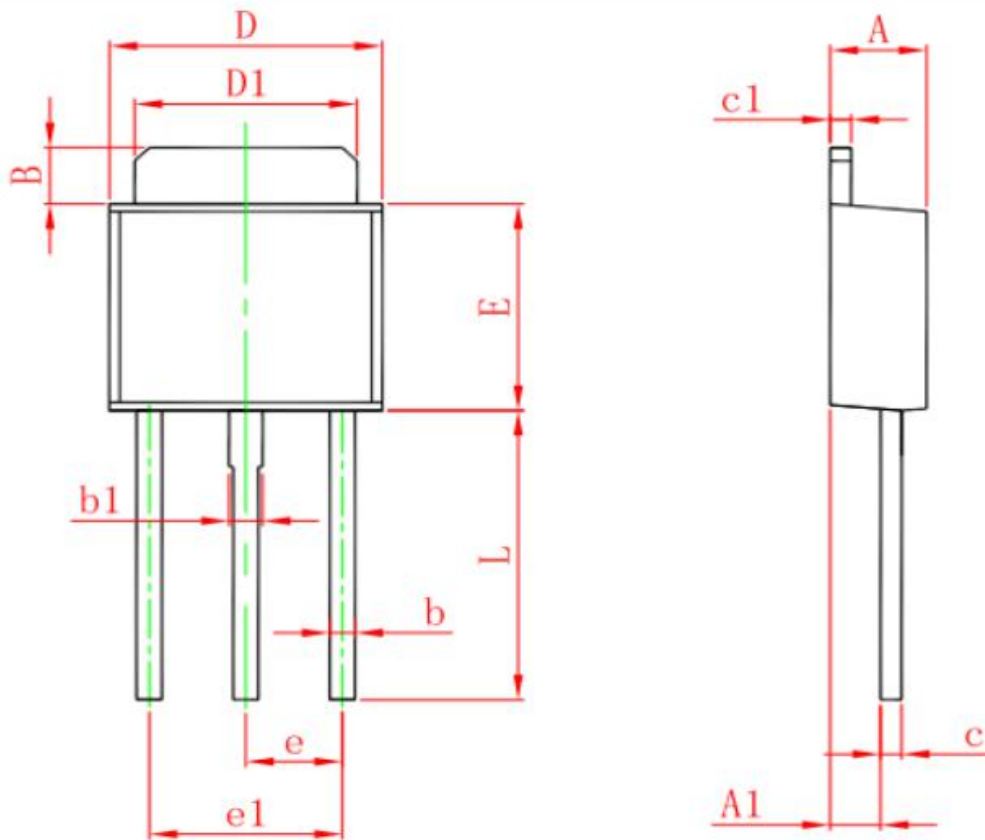
Parameter	Symbol	Test Condition	Min	Typ	Max	Unit	
Output voltage	VO	25°C	11.5	12	12.5	V	
		14.5V≤Vi≤27V, Io=5mA-350mA	-25~+125	11.4	12	12.6	V
Load Regulation	ΔVO	Io=5mA-0.5A, Vi=19V	25°C		25	240	mV
		Io=5mA-200mA, Vi=19V	25°C		10	120	mV
Line Regulation	ΔVO	14.5V≤Vi≤30V, Io=200mA	25°C		10	100	mV
		16V≤Vi≤30V, Io=200mA	25°C		3	50	mV
Quiescent Current	Iq		25°C		4.6	6	mA
Quiescent Current Change	ΔIq	14.5V≤Vi≤30V, Io=200mA	-25~+125			0.8	mA
		5mA≤Io≤350mA	-25~+125			0.5	mA
Output Noise Voltage	VN	10Hz≤f≤100KHz	25°C		75	200	µV/VO
Ripple Rejection	Rr	15V≤Vi≤25V, f=120Hz, Io=300mA	-25~+125	55	80		dB
Dropout Voltage	Vd	Io=350mA	25°C		2	2.5	V
Short Circuit Current	Isc	Vi=19V	25°C		240		mA
Peak Current	IPK		25°C		0.7		A

Package Dimensions:



Symbol	Dimensions In Millimeters		Dimensions In Inches	
	Min	Max	Min	Max
A	2.200	2.400	0.087	0.094
A1	0.000	0.127	0.000	0.005
B	1.350	1.650	0.053	0.065
b	0.500	0.700	0.020	0.028
b1	0.700	0.900	0.028	0.035
c	0.430	0.580	0.017	0.023
c1	0.430	0.580	0.017	0.023
D	6.350	6.650	0.250	0.262
D1	5.200	5.400	0.205	0.213
E	5.400	5.700	0.213	0.224
e	2.300 TYP		0.091 TYP	
e1	4.500	4.700	0.177	0.185
L	9.500	9.900	0.374	0.390
L1	2.550	2.900	0.100	0.114
L2	1.400	1.780	0.055	0.070
V	3.80 REF		0.150 REF	

Package Dimensions:



Symbol	Dimensions In Millimeters		Dimensions In Inches	
	Min.	Max.	Min.	Max.
A	2.200	2.400	0.087	0.094
A1	1.050	1.350	0.042	0.054
B	1.350	1.650	0.053	0.065
b	0.500	0.700	0.020	0.028
b1	0.700	0.900	0.028	0.035
c	0.430	0.580	0.017	0.023
c1	0.430	0.580	0.017	0.023
D	6.350	6.650	0.250	0.262
D1	5.200	5.400	0.205	0.213
E	5.400	5.700	0.213	0.224
e	2.300 TYP.		0.091 TYP.	
e1	4.500	4.700	0.177	0.185
L	7.500	7.900	0.295	0.311

单击下面可查看定价，库存，交付和生命周期等信息

[>>DIOS\(迪恩思\)](#)