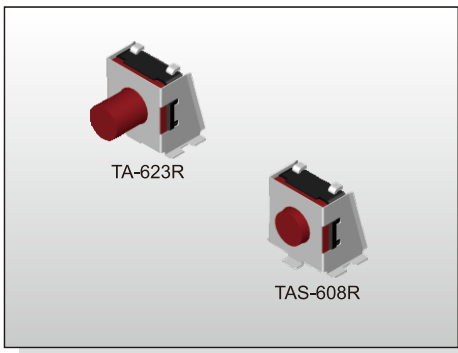


# TACT SWITCH TA-6 SERIES

## 6x6 SMT & Right Angle Type Soft Stem



### FEATURES

- ※Right angle (SMT type)
- ※Support terminal available
- ※Reflow solderable

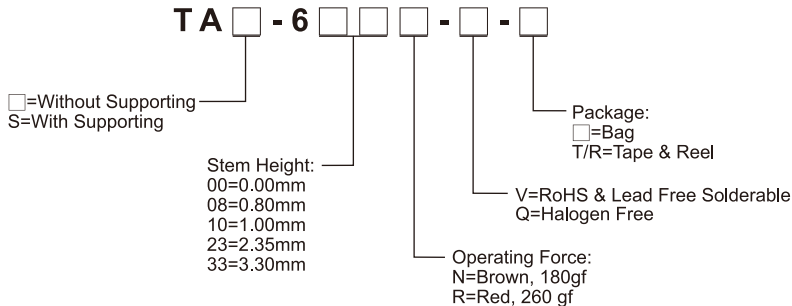
### APPLICATION

- ※Audio, OA equipment
- ※Instrumentation
- ※Hair dryers

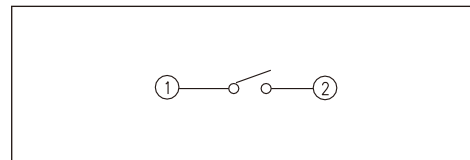
### SPECIFICATION

Contact Rating	50mA, 12V DC
Contact Resistance	100mΩ max.
Insulation Resistance	100MΩ min. 500V DC
Dielectric Strength	250V AC/1 minute
Operating Force	180±50gf, Brown(N) 260±70gf, Red(R)
Travel	0.45mm
Operating Life	500,000 cycles
Operating Temp.	-25°C ~ +70°C
Storage Temp.	-30°C ~ +80°C

### HOW TO ORDER



### CIRCUIT

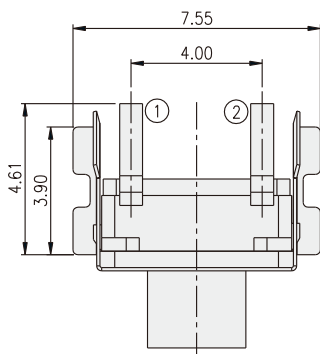


### PACKAGE

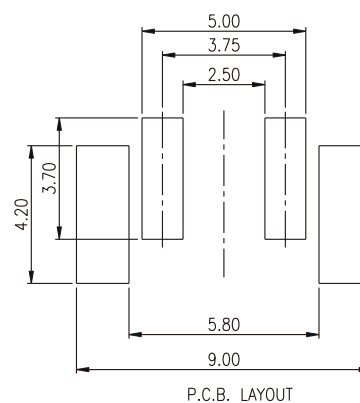
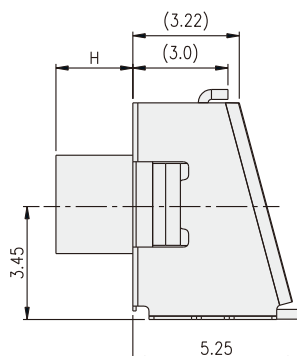
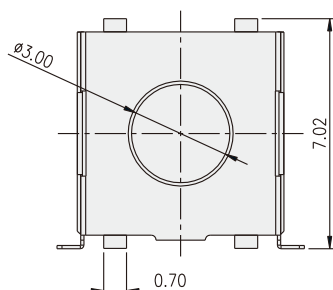
<Bag>  
500 pcs  
<Tape & Reel>  
TA(S)-600 / 608 / 610 / 623: 700 pcs  
TA(S)-633: 500 pcs

TACT SWITCH

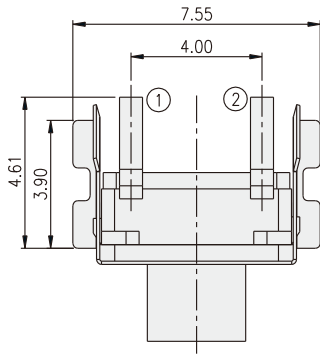
### TA-6



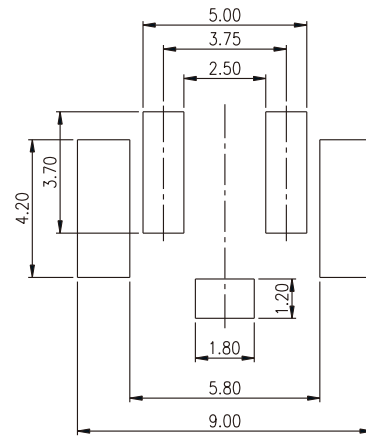
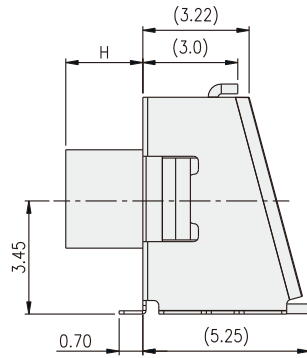
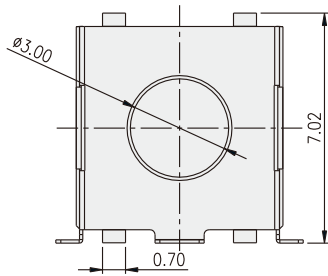
PART NO.	H
TA-600	0
TA-608	0.80
TA-610	1.00
TA-623	2.35
TA-633	3.30



TAS-6



PART NO.	H
TAS-600	0
TAS-608	0.80
TAS-610	1.00
TAS-623	2.35
TAS-633	3.30



P.C.B. LAYOUT

TACT SWITCH

单击下面可查看定价，库存，交付和生命周期等信息

[>>Diptronics\(圆达\)](#)