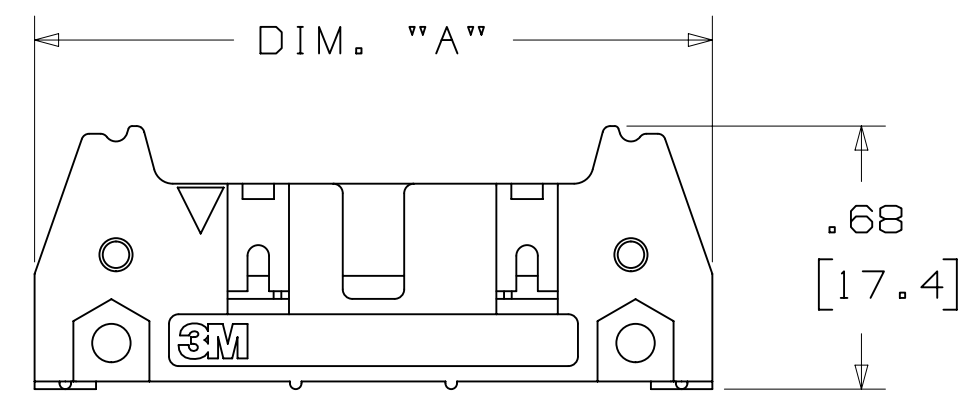
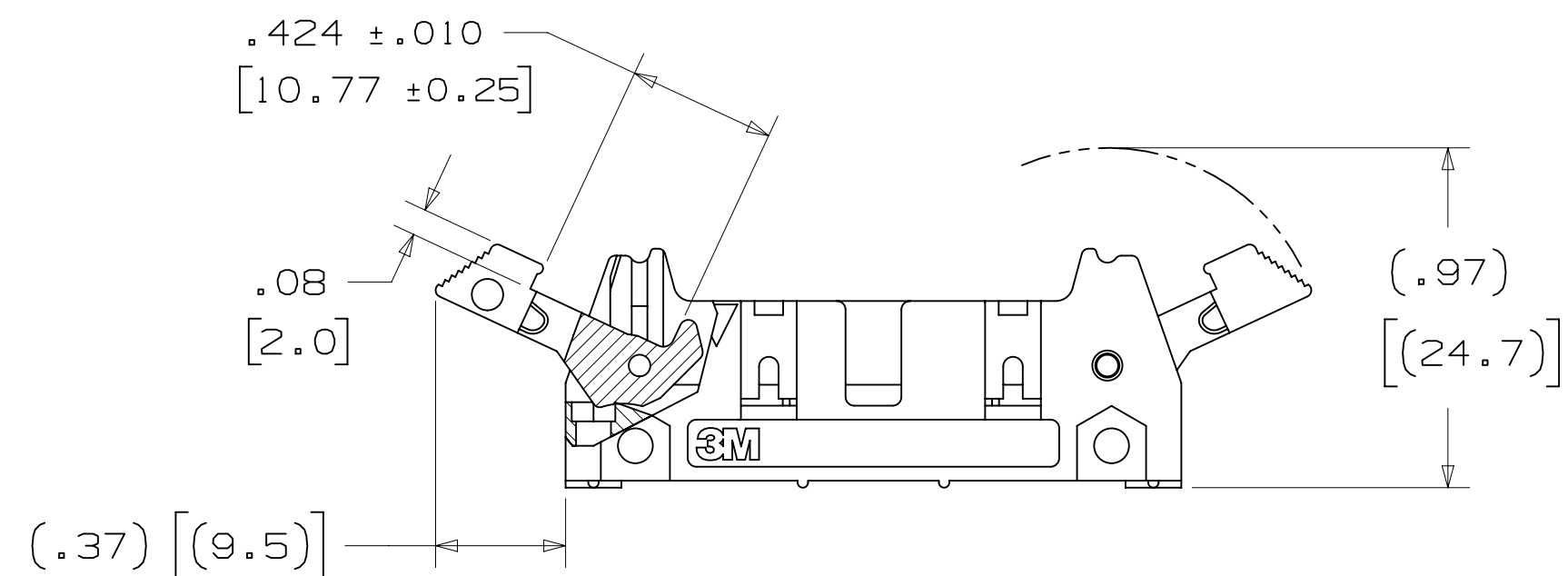


3M™ FOUR-WALL HEADER, 3000 SERIES

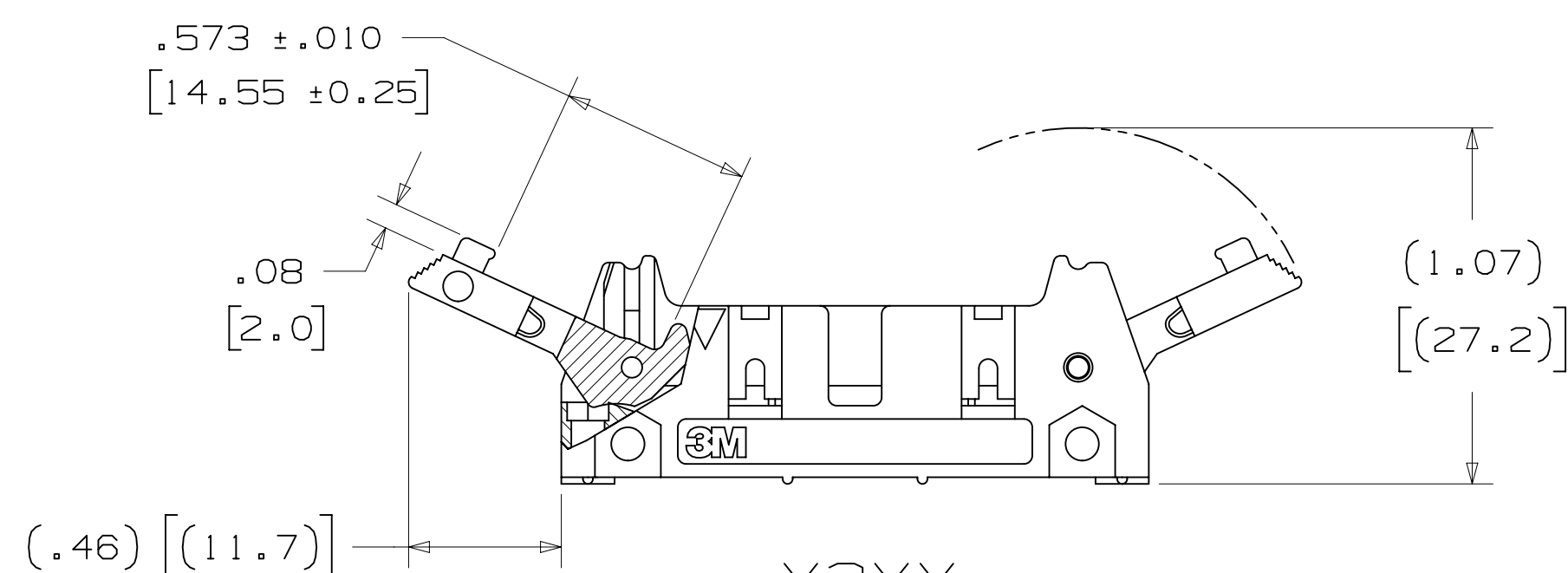
.100" X .100" LATCH/EJECTOR, STRAIGHT AND RIGHT ANGLE



-X0XX
HEADER WITHOUT LATCH/EJECTOR



-X2XX
HEADER WITH SHORT LATCH/EJECTOR
FOR 3M SOCKETS WITHOUT STRAIN RELIEF



-X3XX
HEADER WITH LONG LATCH/EJECTOR
FOR 3M SOCKETS WITH STRAIN RELIEF

ORDERING INFORMATION

X3XXX-XXXXXX

N = HIGH TEMP BLACK (PCT)/(RB PLATING REQ'D)
BLANK = STANDARD TEMP (UB AND EB PLATING)

3M PART NUMBER:
(SEE TABLE 1)

PIN CONFIGURATION:
5 = RIGHT ANGLE SOLDER TAILS
6 = STRAIGHT SOLDER TAILS

PLATING:

RB = 200μ" [5.08μm] MATTE TIN TAILS
(APP. E1 & C1 APPLY)
UB OR BLANK, STANDARD TEMP ONLY = 200μ" [5.08μm]
TIN LEAD TAILS (APP. E3 & C2 APPLY)
EB OR BLANK, WWT TAIL OPTION 05 ONLY =
FLASH GOLD TAIL (APP. E1 & C1 APPLY)

TAIL:

02 = FOR .062 [1.57] THICK BOARD
03 = FOR .094 TO .125 [2.39 TO 3.18] THICK BOARD
05 = WWT FOR UP TO 3 LEVELS OF WIRE WRAP
K2 = KINKED FOR .062 [1.57] THICK BOARD

LATCH/EJECTOR SYSTEM:

0 = NO LATCH/EJECTOR INSTALLED
2 = SHORT ROLL PIN LATCH/EJECTORS
3 = LONG ROLL PIN LATCH/EJECTORS

- * MILITARY (WITH 3M'S N3518 POLARIZING KEY) AND CENTERBUMP POLARIZATION.
- * OPTIONAL EJECTOR LATCHES.
- * MOUNTING HOLES FOR SECURING HEADER TO BOARD.
- * OPTIONAL POLARIZING POSTS AVAILABLE.
- * HIGH TEMPERATURE INSULATOR SUITABLE FOR "NO LEAD" SOLDERING OPERATIONS.
- * SUITABLE FOR REFLOW SOLDERING USING "PASTE IN HOLE" TECHNIQUES.
- * SOLDER TAIL OPTION.

2 PHYSICAL :

INSULATOR: GLASS FILLED POLYESTER (PCT)
MATERIAL: UL94V-0
FLAMMABILITY: COLOR: BLACK
CONTACT: MATERIAL: COPPER ALLOY
PLATING: UNDER PLATING: 100μ" [2.54μm] AVG. NICKEL-OVERALL
WIPING AREA: 30μ" [0.76μm] AVG. GOLD
SOLDER TAILS: TIN LEAD OR MATTE TIN (SEE ORDERING INFORMATION)
MARKINGS: 3M LOGO, PART IDENTIFICATION NUMBER AND ORIENTATION TRIANGLE

2 ELECTRICAL :

EIA CURRENT RATING: 5.00A, 1 CONTACT POWERED
3.00A, 6 CONTACTS POWERED
1.75A, ALL CONTACTS POWERED
RATING CONDITIONS: EIA-364-070 METHOD 2, 30°C MAXIMUM TEMPERATURE RISE, 20% DERATED. REFERENCE APPROPRIATE 3M PRODUCT SPECIFICATION FOR DETAILED CURRENT DERATING CURVES.
INSULATION RESISTANCE: >1 X 10⁹Ω AT 500 V_{DC}
WITHSTANDING VOLTAGE: 1,000V_{RMS} AT SEA LEVEL
UL CURRENT RATING: 1.0A ALL LINES POWERED
UL VOLTAGE RATING: 125V

2 ENVIRONMENTAL :

UL TEMPERATURE RATING: 130C
EIA TEMPERATURE RATING: -55°C TO 105°C
PROCESS RATING: 260°C, PER J-STD-020C, SINGLE PASS
MOISTURE SENSITIVITY LEVEL: 1 (PER J-STD-020C)

- NOTES
1. REGULATORY INFORMATION: ROHS COMPLIANT. SEE THE REGULATORY INFORMATION APPENDIX (RIA) IN THE "ROHS COMPLIANCE" SECTION OF WWW.3MCONNECTORS.COM FOR COMPLIANCE INFORMATION.
 2. IN THE EVENT OF CONFLICT BETWEEN THIS DATA AND THAT CONTAINED IN THE PRODUCT SPECIFICATION, THE PRODUCT SPECIFICATION TAKES PRECEDENT.
 3. NOTCHES A & C WILL ACCOMMODATE 3M POLARIZING KEY: N3518.
 4. MOUNTING HARDWARE: FROM SOLDER SIDE OF PC BOARD USE #4-24 THREAD CUTTING SCREW (3M PART #3341-5) WITH Ø.116 [2.95] MOUNTING HOLE. FOR RIGHT ANGLE VERSION ONLY: #2-56 BOLT AND NUT (3M PART #3341-6) WITH Ø.106 [2.69] MOUNTING HOLE MAY BE USED.
 5. THE RECOMMENDED PCB HOLE SIZE FOR THE KINKED TAIL POSITIONS ON THE .112 SOLDER TAIL CONNECTOR IS Ø.035±.002. (SEE K2 VERSION).

DIMENSIONS: INCHES [MM]
[MM] IS REF. ONLY

| DESIGN REFERENCE | NEXT ASSEMBLY | REV | ECO | ISSUE DATE AND DESCRIPTION | DRFT | CHKD |
|------------------|---------------|-----|-------|---|------|------|
| | | T | 62689 | JUL 10, 2015 ADD 5X05 OPTION AND REVISE NOTES | JNC | SN |
| | | S | 60056 | MAR 06, 2015 REVISE ORDERING NUMBER | JNC | RS |
| | | R | 56068 | JUL 25, 2014 REVISED AND REDRAWN | JNC | RS |
| | | | | DATE: JUL 25, 2014 MFG: R. SCHERER DATE: SEP 05, 2014 | | |

| DIVISION | SCALE | TOLERANCES EXCEPT AS NOTED | 3M |
|---------------------------------|-----------|---|------------------------------|
| Interconnect Solutions | SCALE 2/1 | INCHES: .00 ± .01 .000 ± .005 .0000 ± | 3M Center St. Paul, MN 55144 |
| DO NOT SCALE DRAWING | | MILLIMETERS: 0 ± .0 ± .3 .00 ± .13 | |
| THIRD ANGLE PROJECTION | | MAX SURFACE ROUGHNESS: 1.6 μm (32 R) SURFACES | |
| INTERPRET PER ASME Y14.5 - 2009 | | MARKED ONLY | |

| TITLE | CAGE NUMBER | SIZE | DRAWING NO. | REV. |
|--|-------------|----------------|-------------|------|
| HEADER, 4-WALL, .100 X .100 LATCH/EJECTOR, STRAIGHT & RA | D | 78-5100-0772-3 | T | |
| MODEL: 3000 SERIES | | | | |

CAUS
UL FILE NO: E68080

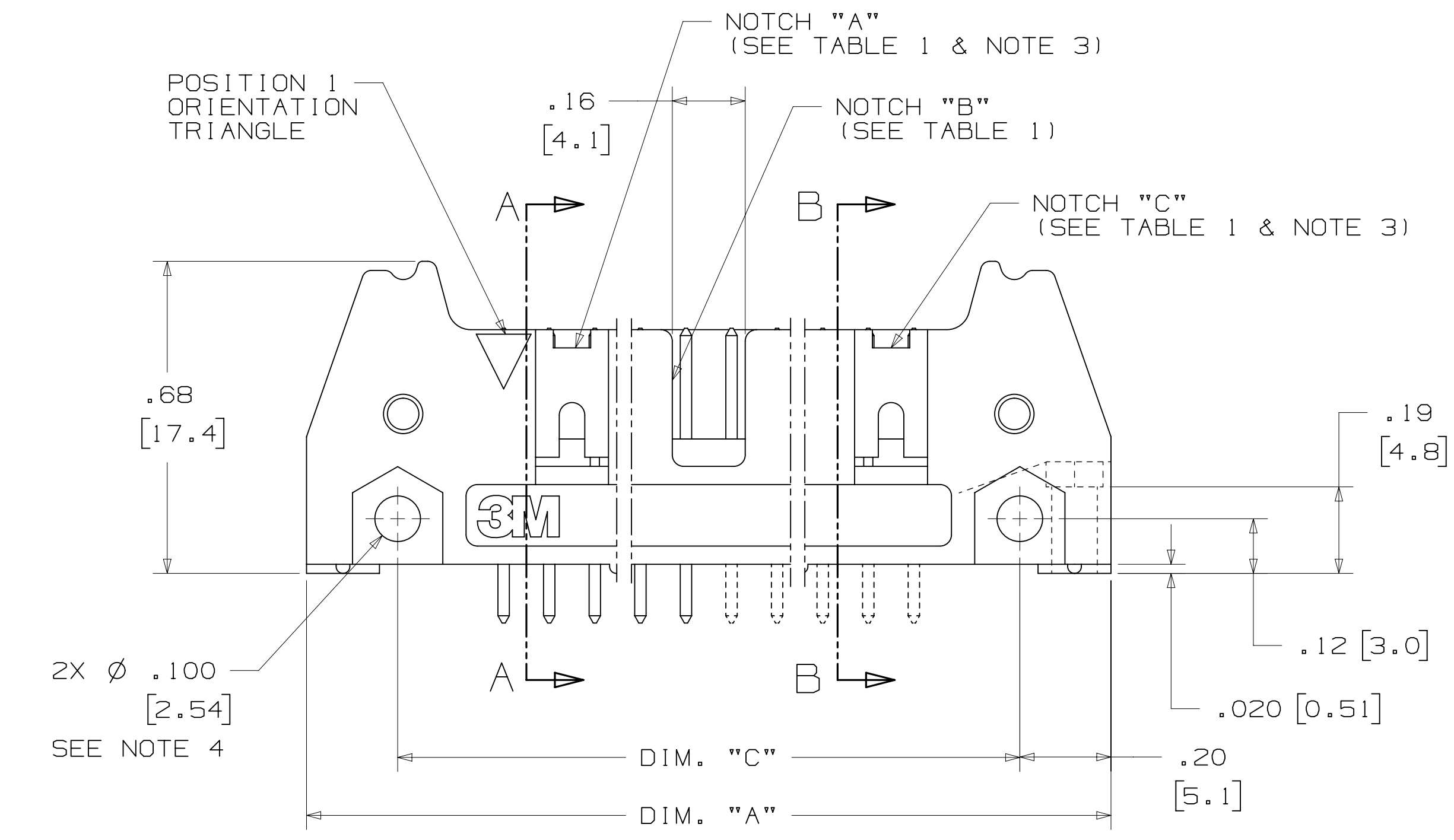
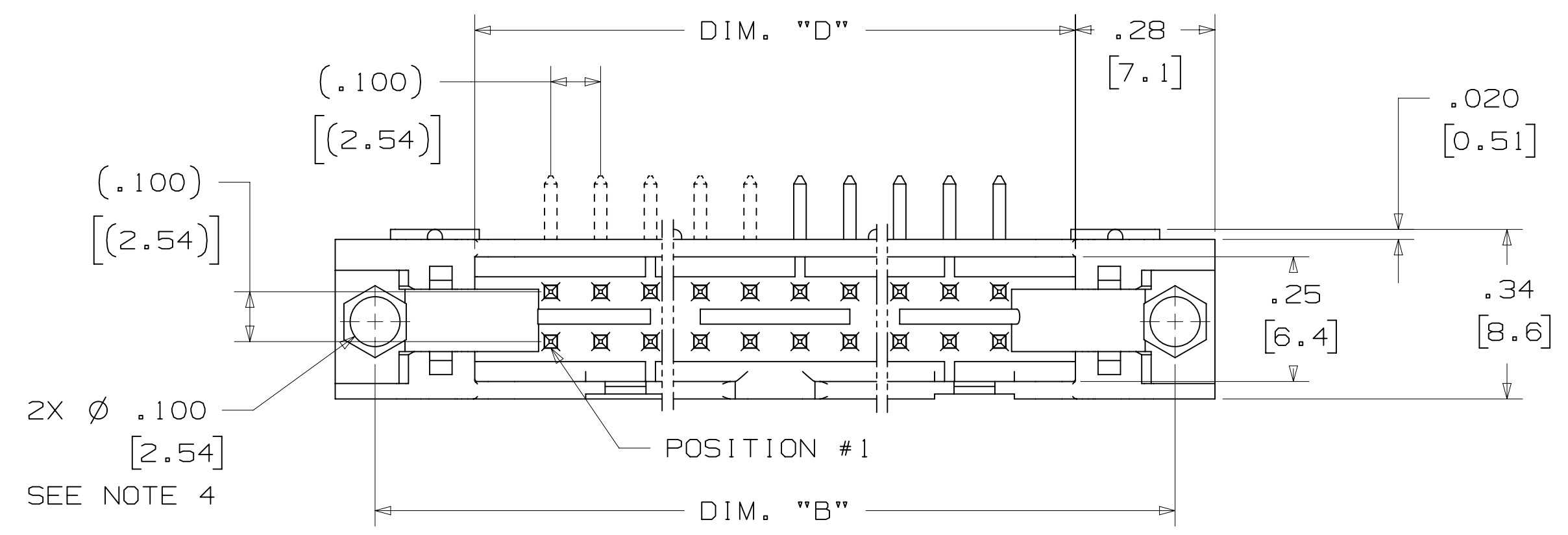
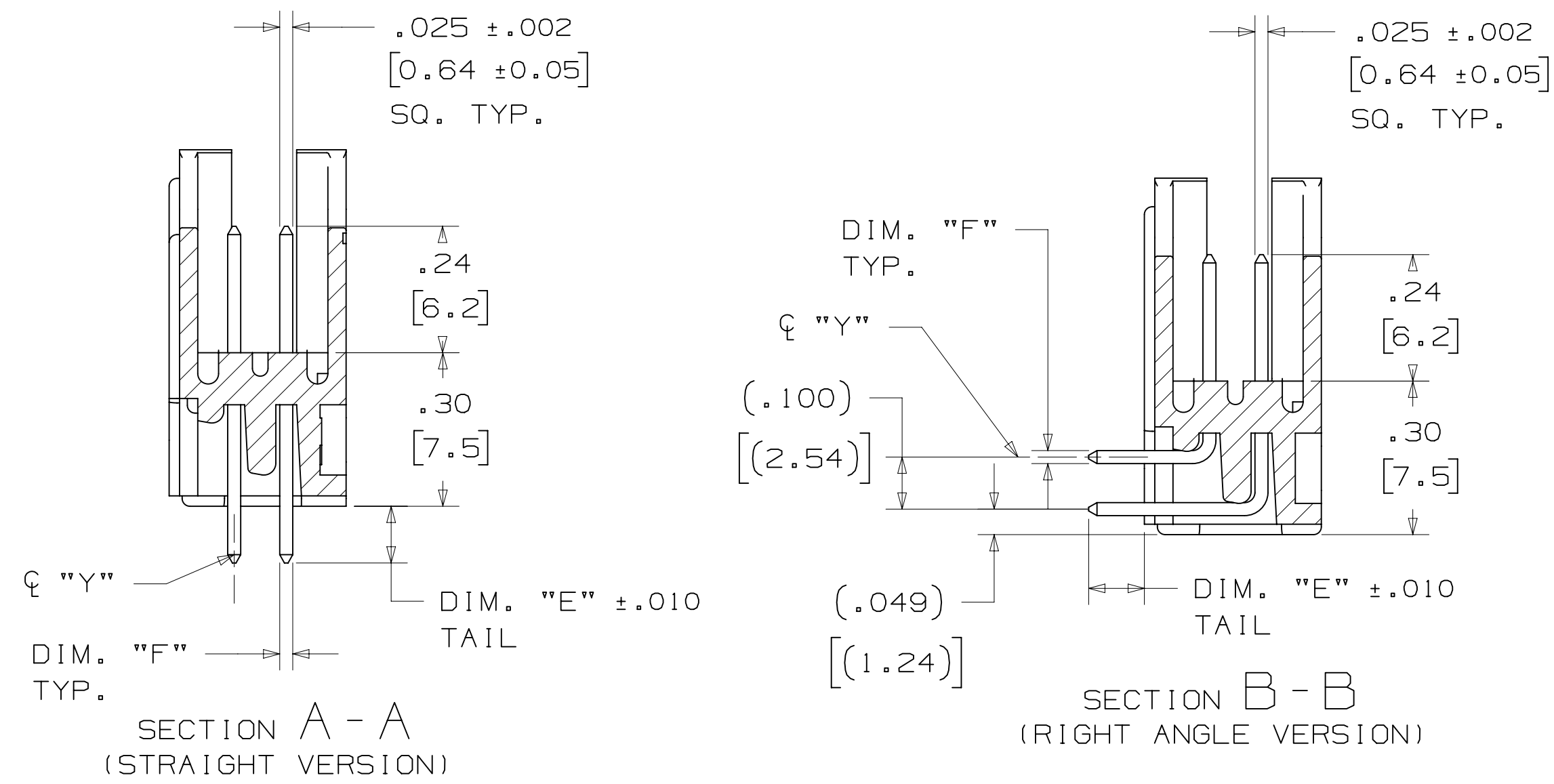
3M ELECTRONIC MATERIALS SOLUTIONS DIVISION
INTERCONNECT SOLUTIONS
<http://www.3mconnectors.com>

3M IS A TRADEMARK OF 3M COMPANY.
FOR TECHNICAL, SALES OR ORDERING
INFORMATION CALL 800-225-5373

78-5100-0772-3
DRAWING NUMBER
REVISED
AM UTC-05:00
8:14 AM 7/12/2016

3M™ FOUR-WALL HEADER, 3000 SERIES

.100" X .100" LATCH/EJECTOR, STRAIGHT AND RIGHT ANGLE



| PIN QTY. | 3M PART NUMBER | DIM. "A" | DIM. "B" | DIM. "C" | DIM. "D" | POLARIZING NOTCHES | PIN QTY. |
|----------|----------------|--------------|---------------|---------------|-------------|--------------------|----------|
| 06 | 3869 | 1.06 [27.0] | .905 [22.99] | .665 [16.89] | .51 [12.9] | B* | 06 |
| 08 | 3889 | 1.16 [29.5] | 1.005 [25.53] | .765 [19.43] | .61 [15.5] | B* | 08 |
| 10 | 3793 | 1.26 [32.1] | 1.105 [28.04] | .865 [21.97] | .71 [18.0] | BC | 10 |
| 14 | 3314 | 1.46 [37.2] | 1.305 [33.12] | 1.065 [27.05] | .91 [23.1] | BC | 14 |
| 16 | 3408 | 1.56 [39.7] | 1.405 [35.66] | 1.165 [29.59] | 1.01 [25.6] | ABC | 16 |
| 20 | 3428 | 1.76 [44.8] | 1.604 [40.74] | 1.365 [34.67] | 1.21 [30.7] | ABC | 20 |
| 24 | 3627 | 1.96 [49.9] | 1.805 [45.82] | 1.565 [39.75] | 1.41 [35.8] | ABC | 24 |
| 26 | 3429 | 2.06 [52.4] | 1.905 [48.36] | 1.665 [42.29] | 1.51 [38.3] | ABC | 26 |
| 30 | 3440 | 2.26 [57.5] | 2.105 [53.44] | 1.865 [47.37] | 1.71 [43.4] | ABC | 30 |
| 34 | 3431 | 2.46 [62.6] | 2.305 [58.52] | 2.065 [52.45] | 1.91 [48.5] | ABC | 34 |
| 40 | 3432 | 2.76 [70.2] | 2.605 [66.14] | 2.365 [60.07] | 2.21 [56.1] | ABC | 40 |
| 50 | 3433 | 3.26 [82.9] | 3.105 [78.84] | 2.865 [72.77] | 2.71 [68.8] | ABC | 50 |
| 60 | 3372 | 3.76 [95.6] | 3.605 [91.54] | 3.365 [85.47] | 3.21 [81.5] | ABC | 60 |
| 64 | 3764 | 3.96 [100.7] | 3.805 [96.62] | 3.565 [90.55] | 3.41 [86.6] | ABC | 64 |

* AVAILABLE WITHOUT CENTER NOTCH B. CONTACT 3M

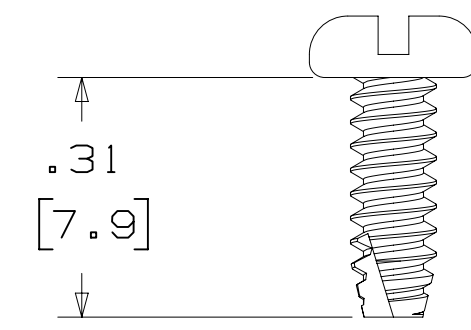
| 3M PART NUMBER SUFFIX | CONTACT TAIL | DIM. "E" | PIN CROSS SECTION | | | DIM. "G" |
|-----------------------|--|-----------------|-------------------------|----------------------|---------------------|---------------------------------|
| | | | DIM. "F" | DIAGONALS | CORNER RADIUS | |
| -5XX2 | .062 [1.57] THICK PC BOARD | .112 [2.84] | .0245+/- .0005 [.622] | .028+/- .001 [.71] | .0075 [.191] REF. | .035+/- .003 [.89] SEE NOTE 5 |
| -6XX2 | | | | | | |
| -5X03 | .094 [2.39] TO .125 [3.18] THICK PC BOARD | .155 [3.94] | .0245+/- .0005 [.622] | .028+/- .001 [.71] | .0075 [.191] REF. | .035+/- .003 [.89] |
| -6X03 | | | | | | |
| -5X05 | WIRE WRAP TAIL FOR UP TO 3 LEVELS OF WIRE WRAP | .61 [15.5] REF. | .0250+/- .002 [.635] | .035+/- .003 [.89] | .003 [.08] MAX. | .045+/- .003 [1.14] |

| | | | | | | |
|------------------------|---------------------------------|---|-----|----------------------------|------|------|
| DESIGN REFERENCE | NEXT ASSEMBLY | REV | ECO | ISSUE DATE AND DESCRIPTION | DRFT | CHKD |
| | | | | | | |
| DIVISION | DIVISION CODE | T 62689 JUL 10,2015 JNC SN ADD 5X05 OPTION AND REVISE NOTES S 60056 MAR 06,2015 JNC RS REVISE ORDERING NUMBER R 56068 JUL 25,2014 JNC RS REVISED AND REDRAWN | | | | |
| Interconnect Solutions | EMSD | © 3M COPYR[IGHT] 2016 This document and the information it contains are 3M property and may not be reproduced or further distributed without 3M permission, or used or disclosed other than for 3M authorized purposes. All rights reserved. | | | | |
| DO NOT SCALE DRAWING | SCALE 4/1 | TOLERANCES EXCEPT AS NOTED INCHES .00 ± .01 .000 ± .005 .0000 ± | | | | |
| THIRD ANGLE PROJECTION | INTERPRET PER ASME Y14.5 - 2009 | MILLIMETERS 0 ± .00 ± .13 .000 ± | | | | |
| MAX SURFACE ROUGHNESS | MARKED ONLY | TITLE HEADER, 4-WALL, .100 X .100 LATCH/EJECTOR, STRAIGHT & RA CAGE NUMBER D 78-5100-0772-3 T MODEL 3000 SERIES | | | | |

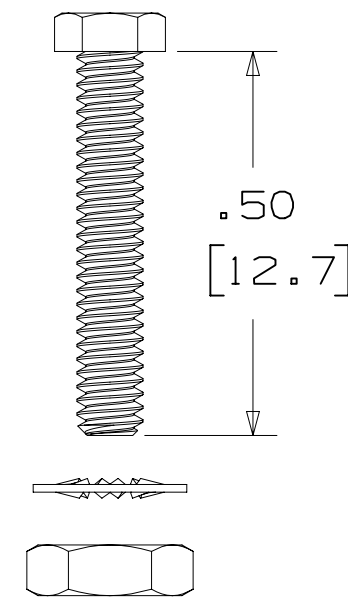
78-5100-0772-3
 REV. 1
 DATE 05/2014
 AM UTC-05:00
 7/12/2016 8:14

3M™ FOUR-WALL HEADER, 3000 SERIES
 .100" X .100" LATCH/EJECTOR, STRAIGHT AND RIGHT ANGLE

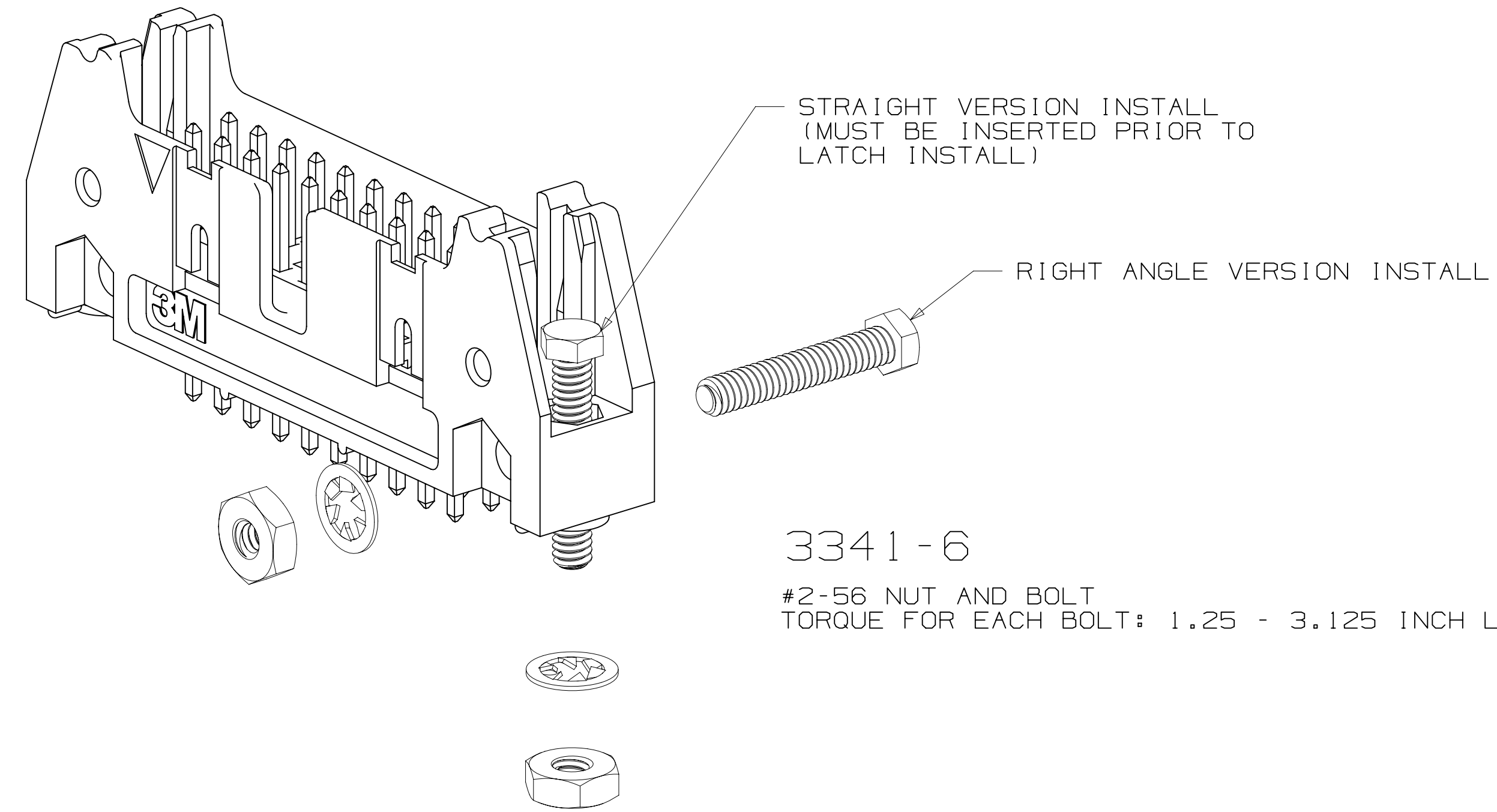
MOUNTING HARDWARE



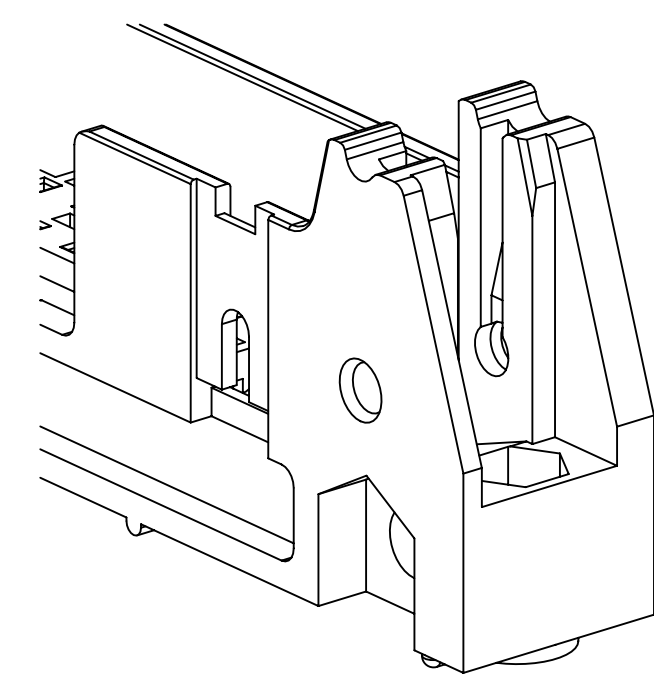
3341-5
 (INSTALL FROM BOTTOM OF BOARD)
 PANHEAD THREAD CUTTING SCREW:
 #4-24 X 5/16"
 TYPE: USA STD BT, FEDERAL BG
 MATERIAL: STAINLESS STEEL



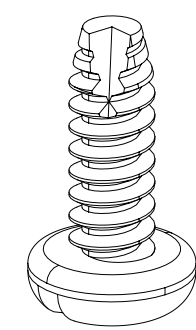
3341-6
 HEX HEAD BOLT, NUT AND WASHER:
 BOLT - #2-56 X 1/2"
 MATERIAL: STAINLESS STEEL



3341-6
 #2-56 NUT AND BOLT
 TORQUE FOR EACH BOLT: 1.25 - 3.125 INCH LBS.



#4-24 TYPE BT SELF THREADING SCREW
 WHEN USING LATCHES, MAXIMUM LENGTH
 OF SCREW IS .250 INCHES PLUS
 THICKNESS OF THE BOARD.
 TORQUE FOR EACH SCREW IS 3-5 INCH LBS.



3341-5

| REV | ECO | ISSUE DATE AND DESCRIPTION | DRFT | CHKD |
|-----|-------|--|------|------|
| T | 62689 | JUL 10, 2015 ADD 5X05 OPTION AND REVISE NOTES | JNC | SN |
| S | 60056 | MAR 06, 2015 REVISE ORDERING NUMBER | JNC | RS |
| R | 56068 | JUL 25, 2014 REVISED AND REDRAWN | JNC | RS |

| DESIGN REFERENCE | NEXT ASSEMBLY | REV | ECO | ISSUE DATE AND DESCRIPTION | DRFT | CHKD |
|------------------|---------------|------|------|----------------------------|--------------|------|
| | | | | JUL 25, 2014 | | |
| DRWING CODES | | CHKD | DATE | APPV | DATE | |
| | | | | R. SCHERER | SEP 05, 2014 | |

| | | | |
|---------------------------------|------------------------|----------------------------|------|
| DIVISION | Interconnect Solutions | DIVISION CODE | EMSD |
| DO NOT SCALE DRAWING | SCALE 4/1 | TOLERANCES EXCEPT AS NOTED | |
| THIRD ANGLE PROJECTION | | INCHES | |
| INTERPRET PER ASME Y14.5 - 2009 | | .00 ± .01 | |
| MAX SURFACE ROUGHNESS | | .000 ± .005 | |
| MARKED SURFACES | | .0000 ± | |
| MARKED ONLY | | MILLIMETERS | |
| | | 0 ± | |
| | | .0 ± .3 | |
| | | .00 ± .13 | |
| | | .000 ± | |
| | | ANGLES | |

| | | | |
|-------------|--|----------------|---|
| TITLE | HEADER, 4-WALL, .100 X .100 LATCH/EJECTOR, STRAIGHT & RA | | |
| CAGE NUMBER | SIZE | DRAWING NO. | REV. |
| D | | 78-5100-0772-3 | T |
| MODEL | 3000 SERIES | DET | ISTS <input type="checkbox"/> YES <input checked="" type="checkbox"/> NO SHT 4 OF 4 |

78-5100-0772-3
 DRAWING NUMBER
 T
 REVISION
 AM UTC-05:00
 7/12/2016 8:14
 Image: T.2

单击下面可查看定价，库存，交付和生命周期等信息

[>>Eastsoft\(东软载波\)](#)