

BR5000 - BR5010

PRV : 50 - 1000 Volts

Io : 50 Amperes

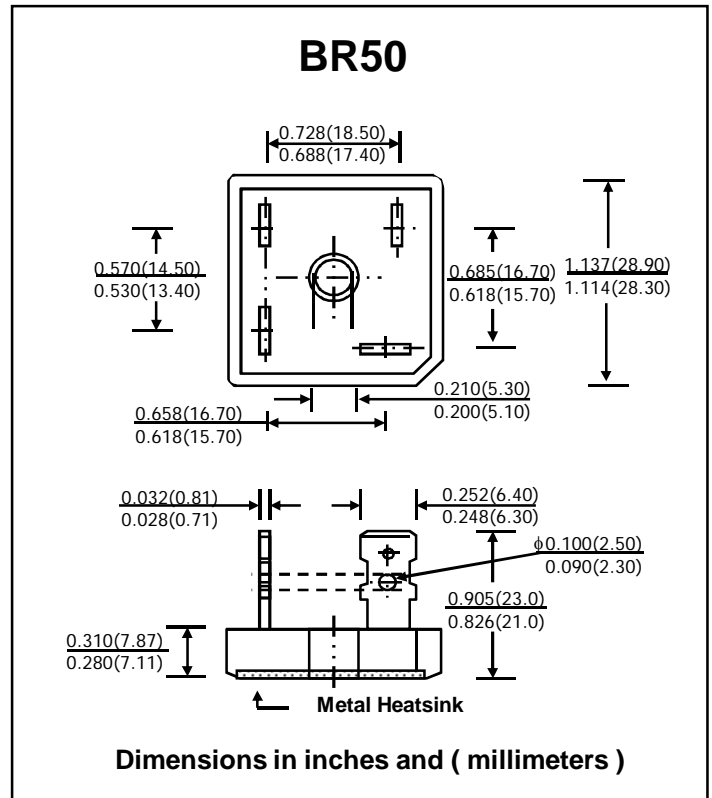
FEATURES :

- * High case dielectric strength
- * High surge current capability
- * High reliability
- * High efficiency
- * Low reverse current
- * Low forward voltage drop
- * Rated isolation-voltage 2000 V_{AC}
- * Glass Passivated Chip
- * Pb / RoHS Free

MECHANICAL DATA :

- * Case : Molded plastic with heatsink integrally mounted in the bridge encapsulation
- * Epoxy : UL94V-0 rate flame retardant
- * Terminals : plated .25" (6.35 mm). Faston
- * Polarity : Polarity symbols marked on case
- * Mounting position : Bolt down on heat-sink with silicone thermal compound between bridge and mounting surface for maximum heat transfer efficiency.
- * Weight : 17.1 grams

SILICON BRIDGE RECTIFIERS



MAXIMUM RATINGS AND ELECTRICAL CHARACTERISTICS

Rating at 25 °C ambient temperature unless otherwise specified.
Single phase, half wave, 60 Hz, resistive or inductive load.
For capacitive load, derate current by 20%.

RATING	SYMBOL	BR5000	BR5001	BR5002	BR5004	BR5006	BR5008	BR5010	UNIT
Maximum Recurrent Peak Reverse Voltage	V _{RRM}	50	100	200	400	600	800	1000	V
Maximum RMS Voltage	V _{RMS}	35	70	140	280	420	560	700	V
Maximum DC Blocking Voltage	V _{DC}	50	100	200	400	600	800	1000	V
Maximum Average Forward Current T _c = 55°C	I _{F(AV)}	50							A
Peak Forward Surge Current , 50 Hz sine wave	I _{FSM}	450						A	
60 Hz sine wave		500							
Current Squared Time at t < 8.3 ms.	I ² t	660						A ² S	
Maximum Forward Voltage per Diode at I _F =25 A	V _F	1.1						V	
Maximum DC Reverse Current Ta = 25 °C at Rated DC Blocking Voltage Ta = 100 °C	I _R	10						μA	
	I _{R(H)}	200						μA	
Typical Thermal Resistance (Note 1)	R _{θJC}	1						°C/W	
Operating Junction Temperature Range	T _J	- 40 to + 150						°C	
Storage Temperature Range	T _{STG}	- 40 to + 150						°C	

Notes :

1) Thermal resistance from Junction to Case with units mounted on a 9"x5"x4.6" (22.9x12.7x11.7 cm) Al-Finned Heatsink.

RATING AND CHARACTERISTIC CURVES (BR5000 - BR5010)

FIG.1 - DERATING CURVE FOR OUTPUT RECTIFIED CURRENT

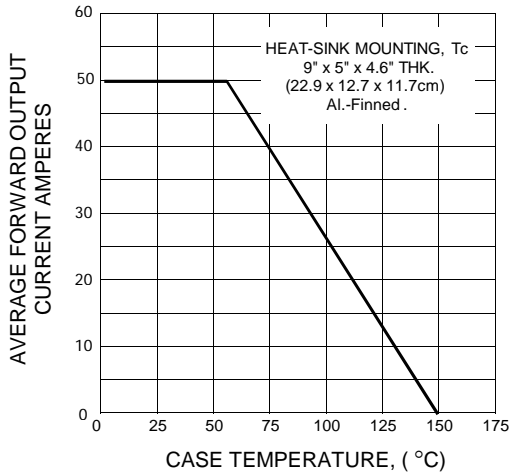


FIG.2 - MAXIMUM NON-REPETITIVE PEAK FORWARD SURGE CURRENT

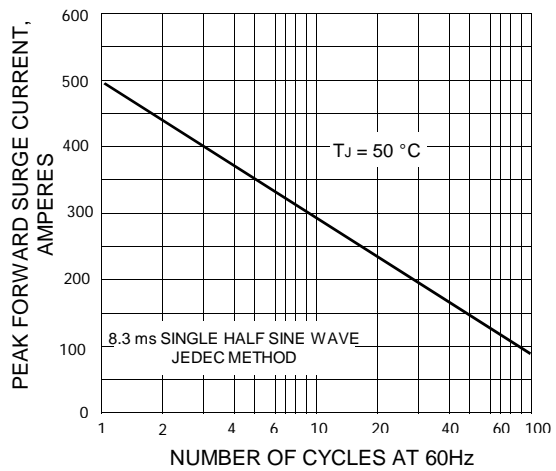


FIG.3 - TYPICAL FORWARD CHARACTERISTICS PER DIODE

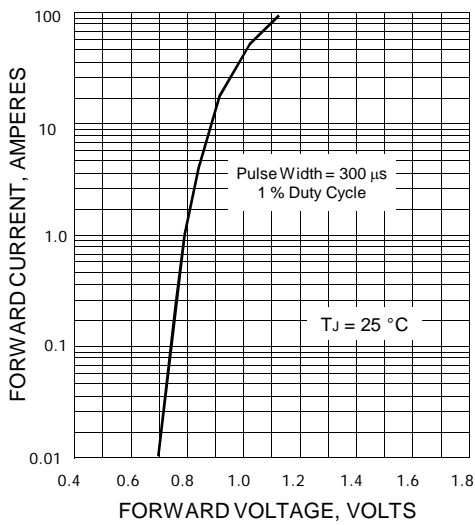
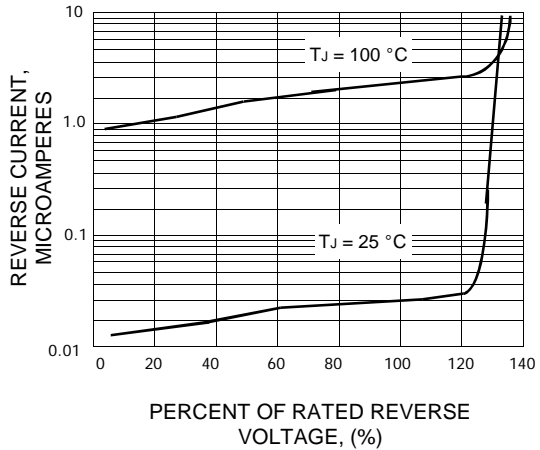


FIG.4 - TYPICAL REVERSE CHARACTERISTICS PER DIODE



单击下面可查看定价，库存，交付和生命周期等信息

[>>EIC](#)