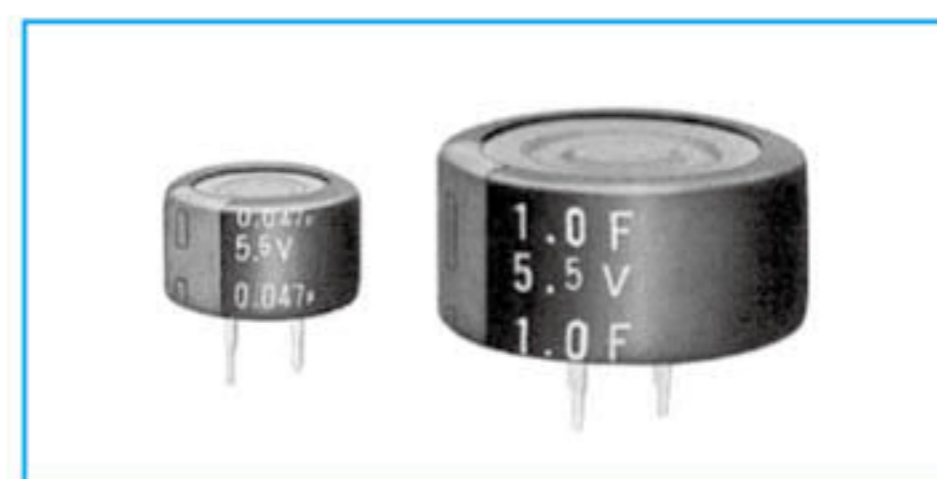
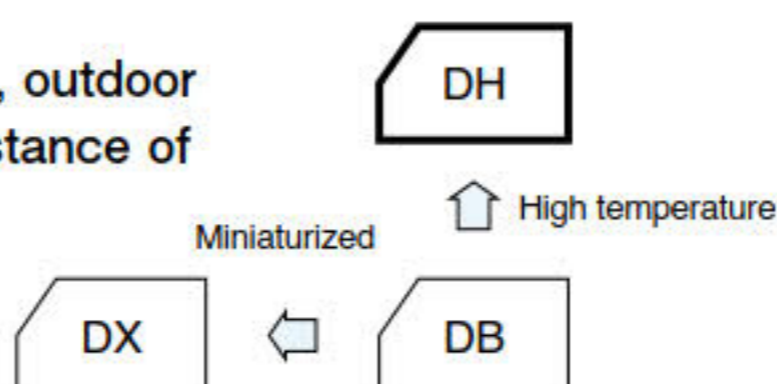


High Temperature Capacitors

GREEN CAP 85°C

- High temperature tolerant (−25 to +85°C) and highly reliable.
- Ideal for backing up of controls, electronic rice cooking jars, home bakeries and the like.
- Ideal for backing up of RTC's for smart meter, outdoor equipment, Industrial, momentary power assistance of a battery, automotive etc.



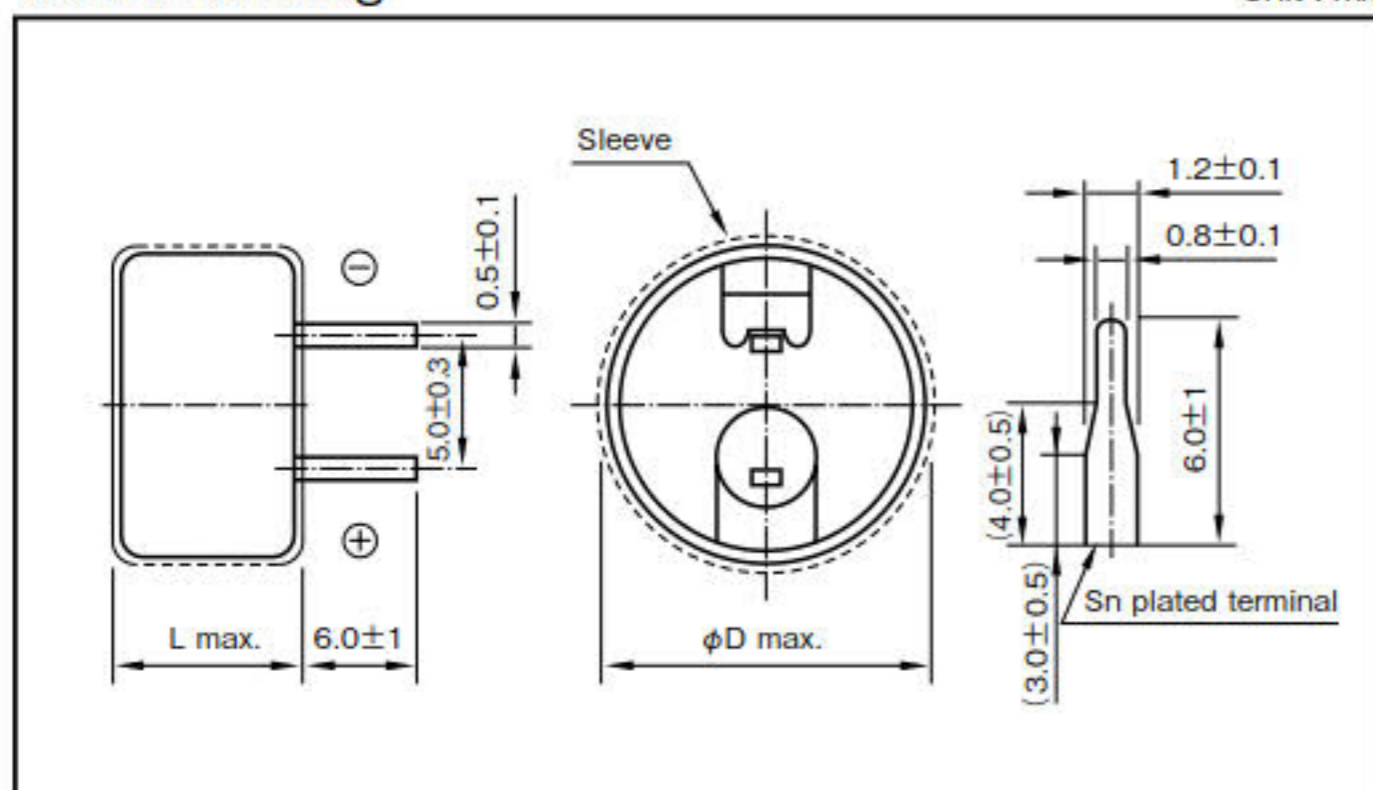
Marking color : White print on an indigo sleeve

Specifications

Item	Performance
Category temperature range (°C)	−25 to +85
Tolerance at rated capacitance (%)	−20 to +80
Internal resistance at 1 kHz	Rated capacitance (F)
	Internal resistance (Ω Max.)
Characteristics at high and low temperature	Percentage of capacitance change
	Internal resistance
Endurance (85°C)	Test time
	Percentage of capacitance change
	Internal resistance
Shelf life (85°C)	Test time : 1000 hours ; Same as endurance.
Applicable standards	Conforms to JIS C5160-1 2009 (IEC 62391-1 2006)

Outline Drawing

Unit : mm



Part numbering system (example : 5.5V0.22F)				
DH	—	5R5	D	224 T
Series code		Max.operating voltage symbol		Rated capacitance symbol

Part number is refer to following table.

Standard Ratings

Max. operating voltage (V)	Rated capacitance (F)	ELNA Parts No.	φD×L (mm)
5.5	0.047	DH-5R5D473T	13.5×9.5
5.5	0.1	DH-5R5D104T	13.5×9.5
5.5	0.22	DH-5R5D224T	13.5×9.5
5.5	0.47	DH-5R5D474T	21.5×9.5
5.5	0.68	DH-5R5D684T	21.5×9.5
5.5	1	DH-5R5D105T	21.5×9.5

NOTE : Design, Specifications are subject to change without notice. It is recommended that you shall obtain technical specifications from ELNA to ensure that the component is suitable for your use.

单击下面可查看定价，库存，交付和生命周期等信息

[>>ELNA\(伊娜\)](#)