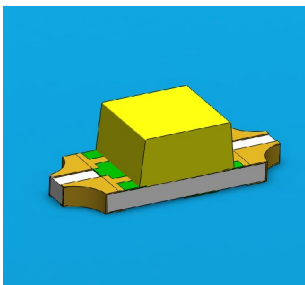


## SMD ▪ B

### 23-22B/T3S2D-C30/2A



#### Features

- Package in 8mm tape on 7" diameter reel.
- Compatible with automatic placement equipment.
- Compatible with infrared and vapor phase reflow solder process.
- Multi-color type.
- Pb-free.
- The product itself will remain within RoHS compliant version.

#### Description

- The 23-22B SMD LED is much smaller than lead frame type components, thus enable smaller board size, higher packing density, reduced storage space and finally smaller equipment to be obtained.
- Besides, lightweight makes them ideal for miniature applications. etc.

#### Applications

- Backlighting in dashboard and switch.
- Telecommunication: indicator and backlighting in telephone and fax.
- Flat backlight for LCD, switch and symbol.
- General use.

### Device Selection Guide

Code	Chip Materials	Emitted Color	Resin Color
T3	InGaN	Pure White	Yellow Diffused
S2	AlGaInP	Brilliant Orange	

### Absolute Maximum Ratings (Ta=25 °C)

Parameter	Symbol	Code	Rating	Unit
Reverse Voltage	$V_R$		5	V
Forward Current	$I_F$	T3	10	mA
		S2	25	
Peak Forward Current (Duty 1/10 @1KHz)	$I_{FP}$	T3	100	mA
		S2	60	
Power Dissipation	$P_d$	T3	40	mW
		S2	60	
Operating Temperature	$T_{opr}$		-40 ~ +85	
Storage Temperature	$T_{stg}$		-40 ~ +90	
Electrostatic Discharge	$ESD_{HBM}$	T3	150	V
		S2	2000	
Soldering Temperature	$T_{sol}$		Reflow Soldering : 260 for 10 sec. Hand Soldering : 350 for 3 sec.	

Electro-Optical Characteristics (Ta=25 )

Parameter	Symbol	Code	Min.	Typ.	Max.	Unit	Condition
Luminous Intensity	I <sub>v</sub>	T3	45.0	-----	112	mcd	
		S2	9.00	-----	22.5		
Viewing Angle	2θ <sub>1/2</sub>		-----	140	-----	deg	
Peak Wavelength	λ <sub>p</sub>	S2	-----	611	-----	nm	I <sub>F</sub> =5mA
Dominant Wavelength	λ <sub>d</sub>	S2	-----	605	-----	nm	
Spectrum Radiation Bandwidth		S2	-----	17	-----	nm	
Forward Voltage	V <sub>F</sub>	T3	2.50	3.10	3.50	V	
		S2	1.55	1.85	2.25		
Reverse Current	I <sub>R</sub>	T3	-----	-----	50	μA	V <sub>R</sub> =5V
		S2	-----	-----	10		

Note:  
Tolerance of Luminous Intensity: ±11%

**Bin Range of Luminous Intensity  
T3**

Bin Code	Min.	Max.	Unit	Condition
P	45.0	72.0	mcd	I <sub>F</sub> =5mA
Q	72.0	112		

**Bin Range of Luminous Intensity  
S2**

Bin Code	Min.	Max.	Unit	Condition
1	9.00	14.5	mcd	I <sub>F</sub> =5mA
2	14.5	22.5		

Note:  
Tolerance of Luminous Intensity: ±11%

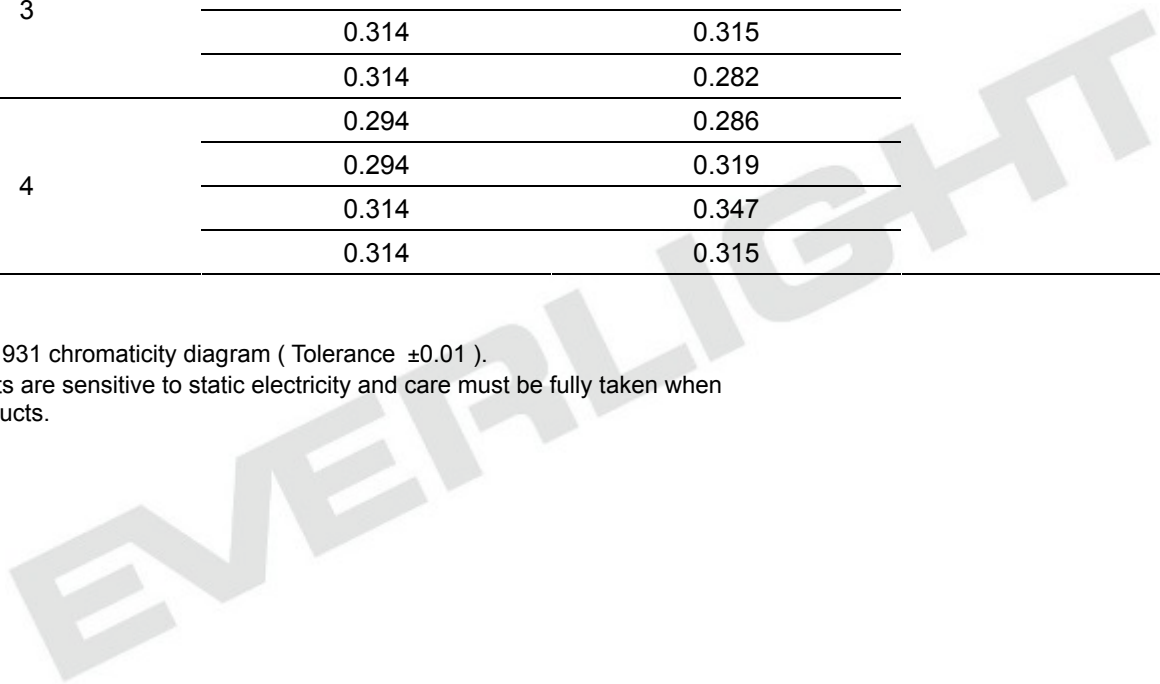
EVERLIGHT

**Chromaticity Coordinates Specifications for Bin Grading  
T3**

Bin Code	CIE_x	CIE_y	Condition
1	0.274	0.226	I <sub>F</sub> =5mA
	0.274	0.258	
	0.294	0.286	
	0.294	0.254	
2	0.274	0.258	
	0.274	0.291	
	0.294	0.319	
	0.294	0.286	
3	0.294	0.254	
	0.294	0.286	
	0.314	0.315	
	0.314	0.282	
4	0.294	0.286	
	0.294	0.319	
	0.314	0.347	
	0.314	0.315	

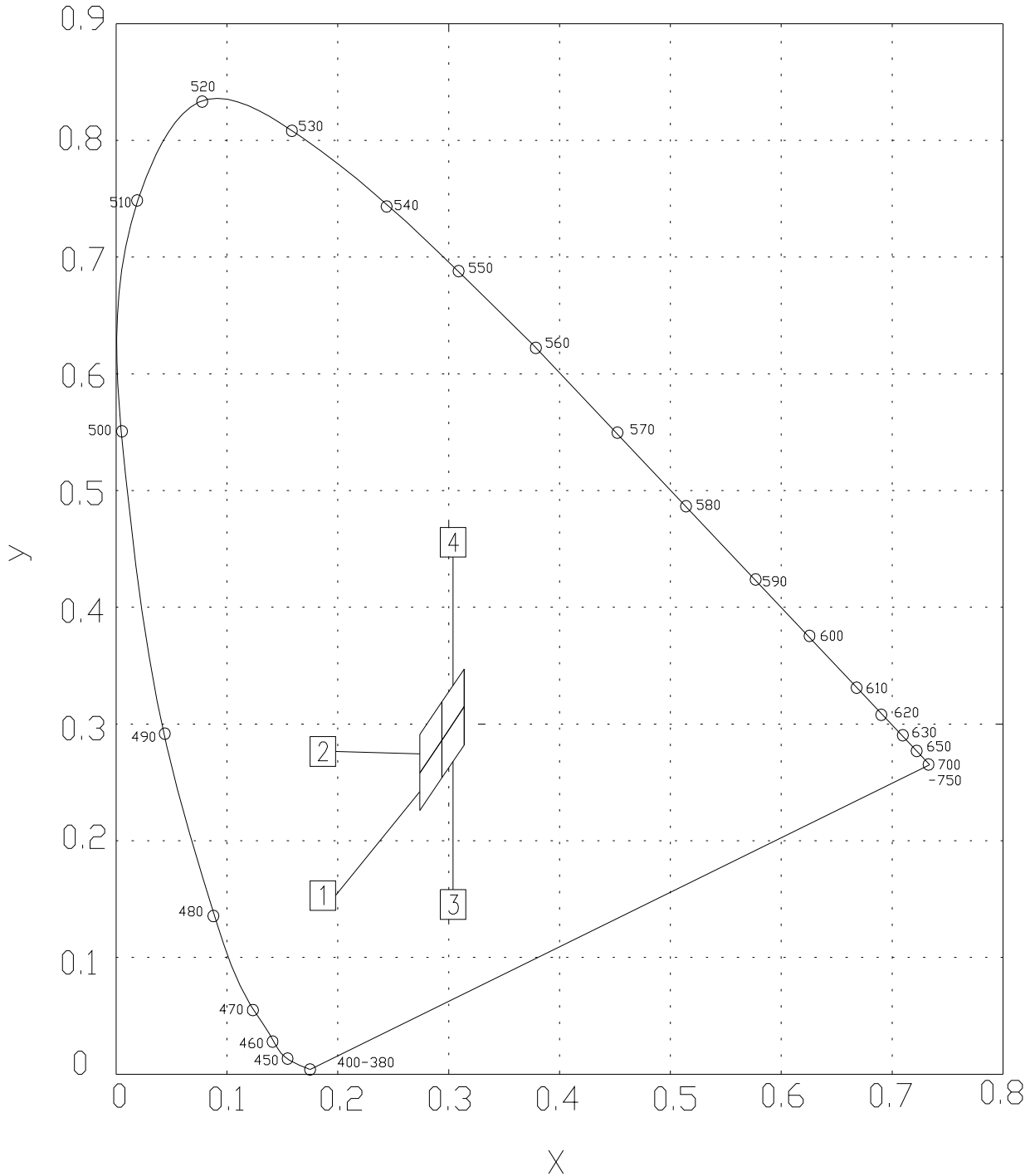
Notes:

- 1.The C.I.E. 1931 chromaticity diagram ( Tolerance ±0.01 ).
- 2.The products are sensitive to static electricity and care must be fully taken when handling products.

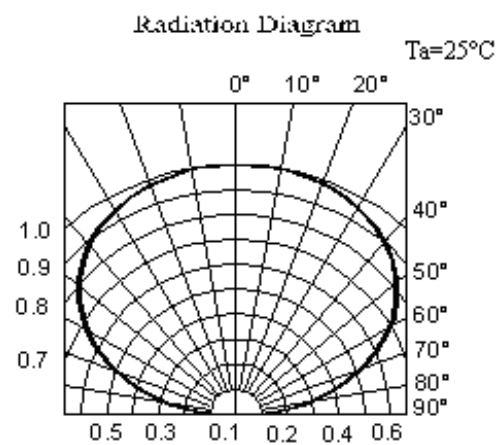
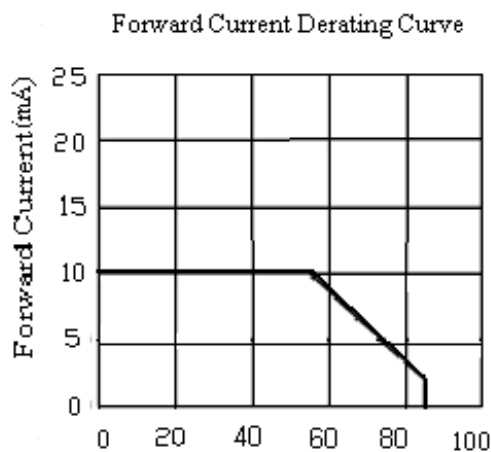
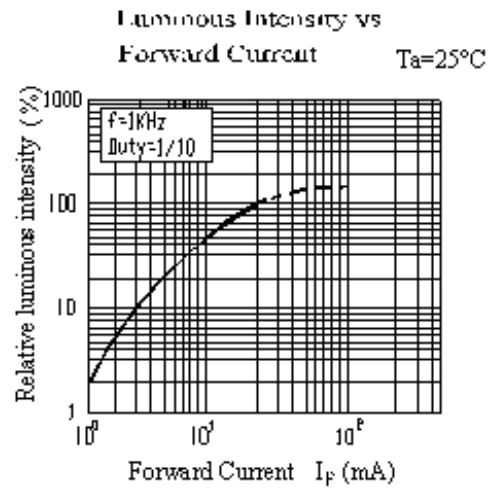
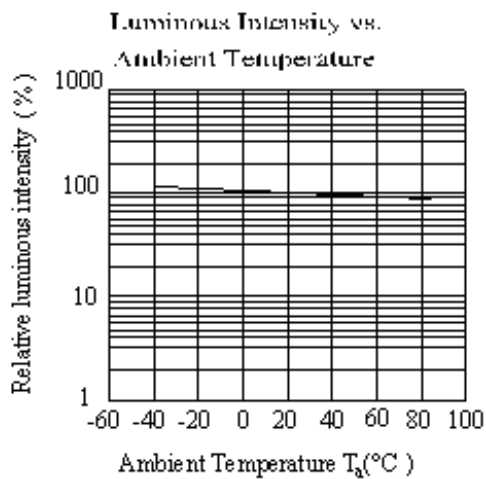
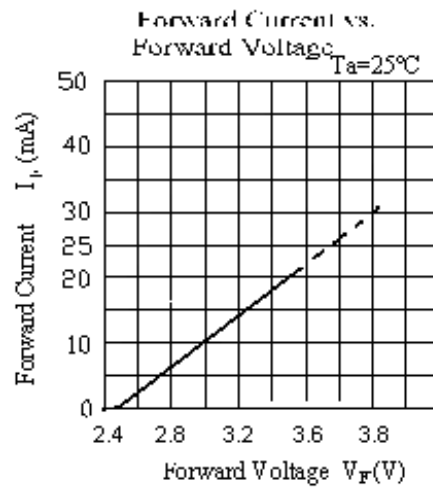
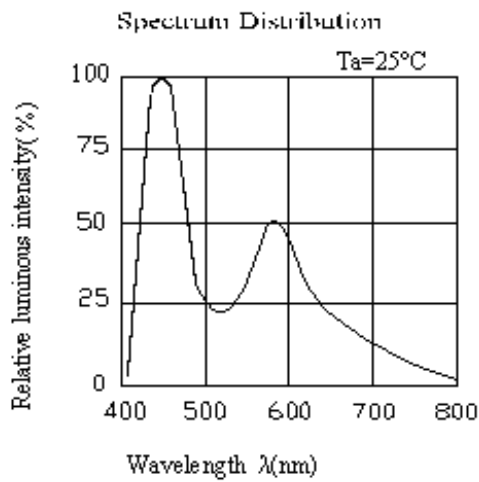


CIE Chromaticity Diagram

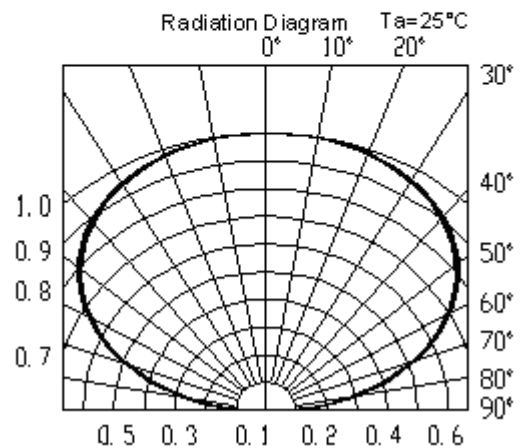
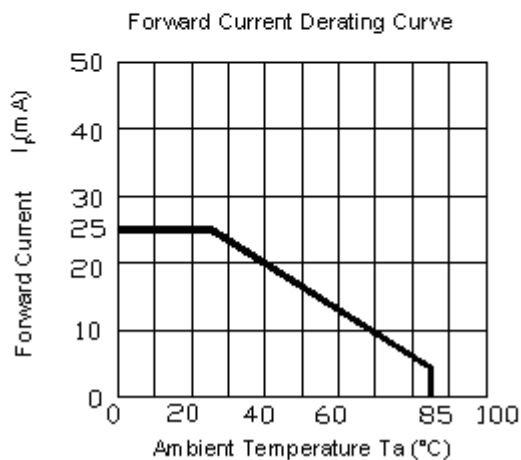
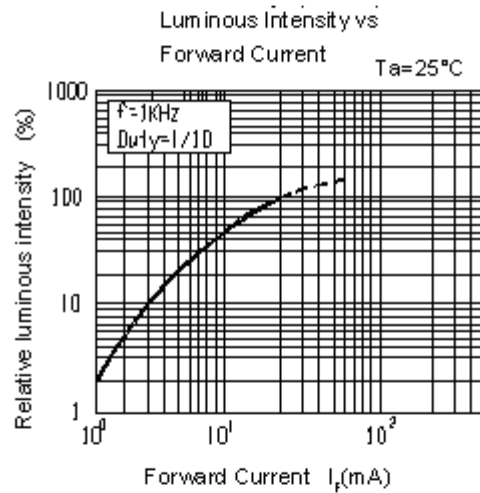
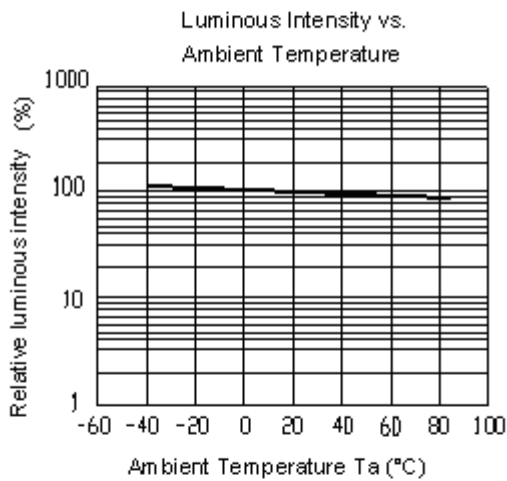
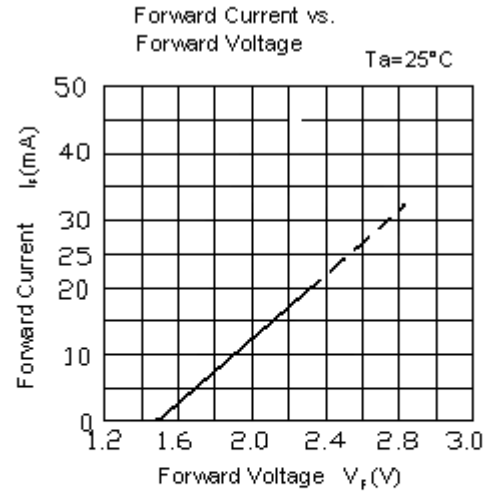
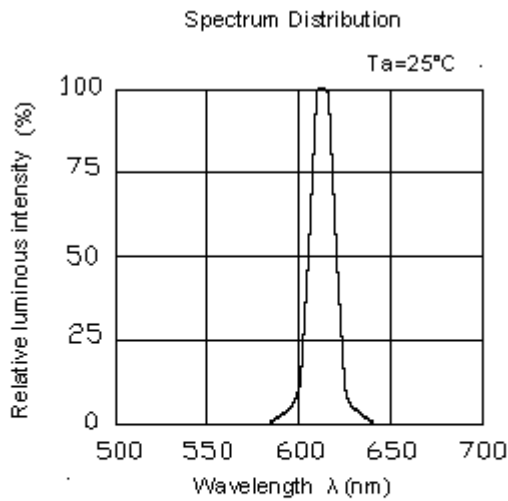
T3



Typical Electro-Optical Characteristics Curves  
T3

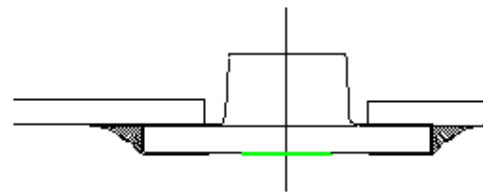
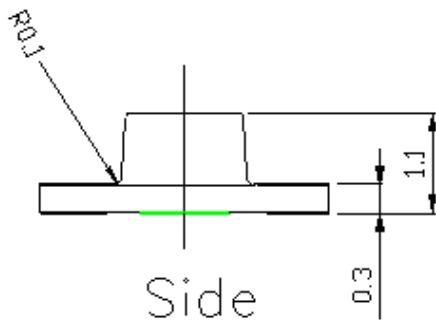
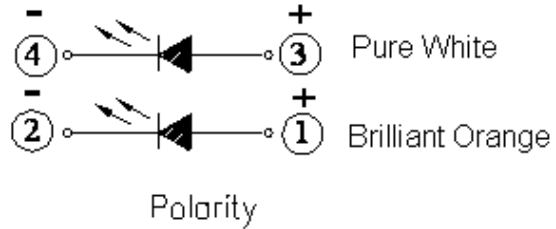
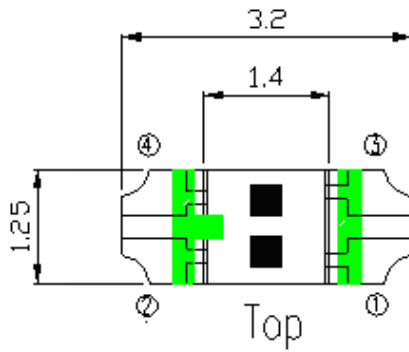


Typical Electro-Optical Characteristics Curves  
S2

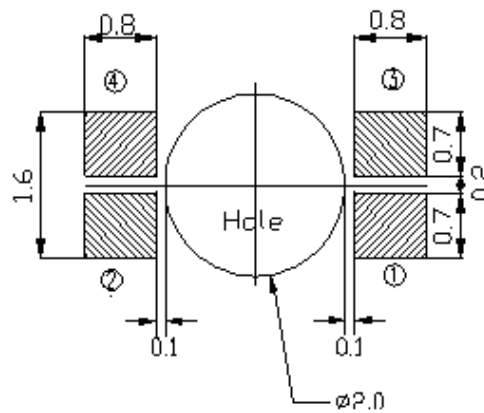
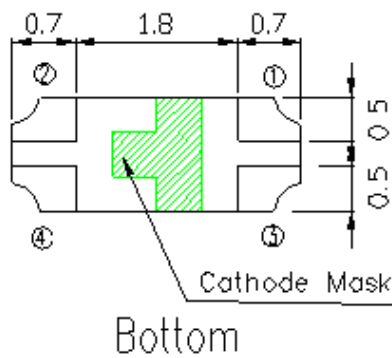




Package Dimension



Recommend Soldering Pad



Suggested pad dimension is just for reference only.  
Please modify the pad dimension based on individual need.

Note: Tolerances unless mentioned  $\pm 0.1$ mm. Unit = mm

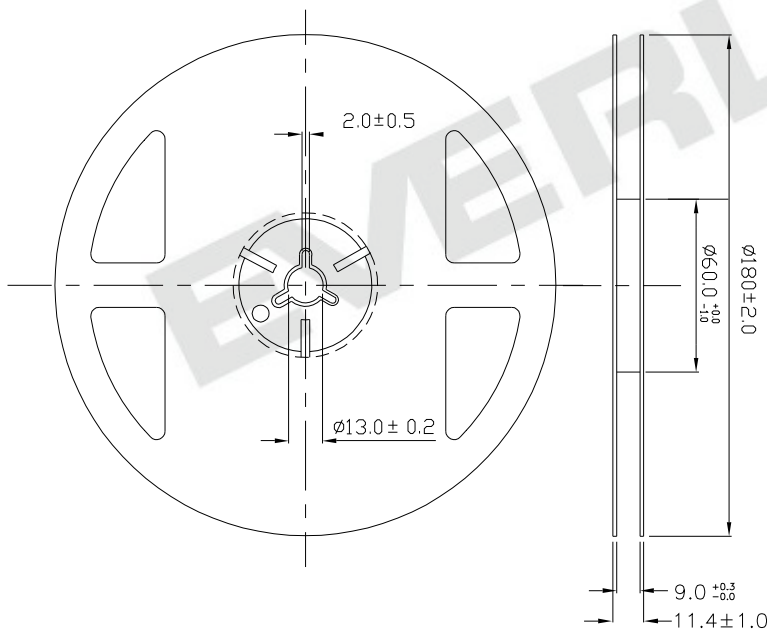
**Moisture Resistant Packing Materials**

**Label Explanation**



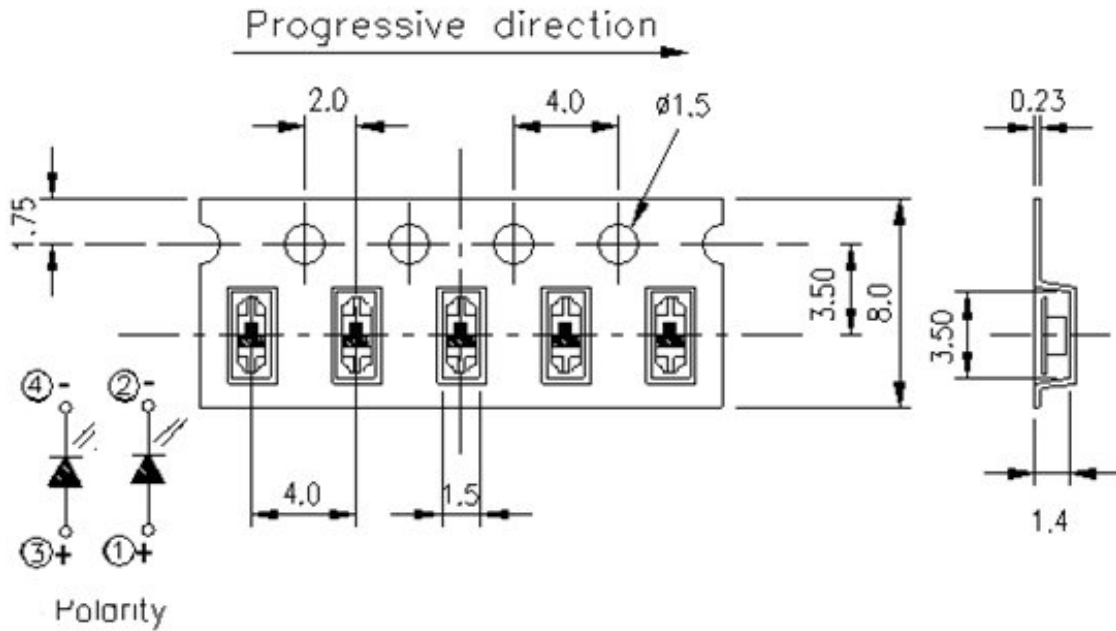
- CPN: Customer's Product Number
- P/N: Product Number
- QTY: Packing Quantity
- CAT: Luminous Intensity Rank
- HUE: Chromaticity Coordinates & Dom. Wavelength Rank
- REF: Forward Voltage Rank
- LOT No: Lot Number

**Reel Dimensions**



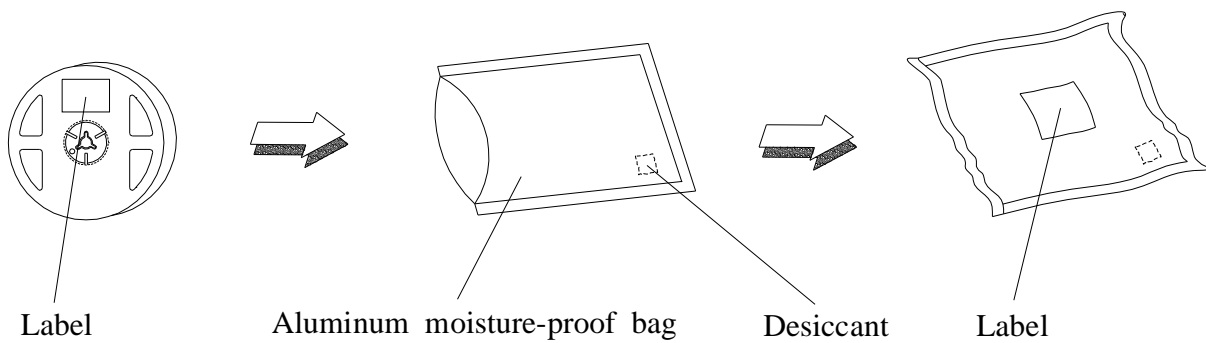
**Note:** The tolerances unless mentioned is  $\pm 0.1\text{mm}$  ,Unit = mm

**Carrier Tape Dimensions: Loaded quantity 2000 PCS per reel**



**Note:** The tolerances unless mentioned is  $\pm 0.1\text{mm}$ , Unit = mm

**Moisture Resistant Packaging**



## Precautions For Use

### 1. Over-current-proof

Customer must apply resistors for protection, otherwise slight voltage shift will cause big current change ( Burn out will happen ).

### 2. Storage

2.1 Do not open moisture proof bag before the products are ready to use.

2.2 Before opening the package: The LEDs should be kept at 30 °C or less and 90%RH or less.

2.3 After opening the package: The LED's floor life is 1 year under 30 °C or less and 60% RH or less.

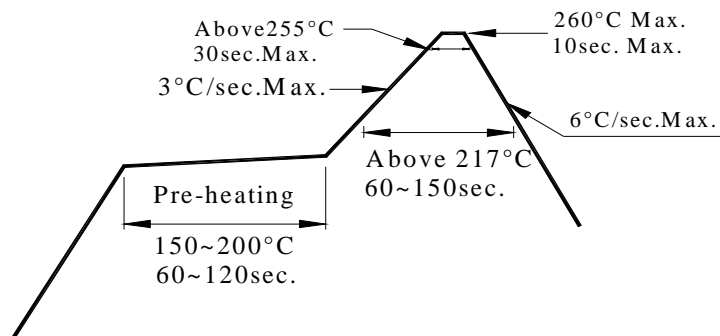
If unused LEDs remain, it should be stored in moisture proof packages.

2.4 If the moisture absorbent material (silica gel) has faded away or the LEDs have exceeded the storage time, baking treatment should be performed using the following conditions.

Baking treatment :  $60 \pm 5$  °C for 24 hours.

### 3. Soldering Condition

#### 3.1 Pb-free solder temperature profile



3.2 Reflow soldering should not be done more than two times.

3.3 When soldering, do not put stress on the LEDs during heating.

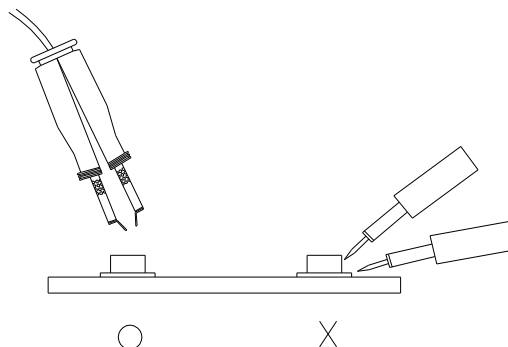
3.4 After soldering, do not warp the circuit board.

#### 4. Soldering Iron

Each terminal is to go to the tip of soldering iron temperature less than 350 °C for 3 seconds within once in less than the soldering iron capacity 25W. Leave two seconds and more intervals, and do soldering of each terminal. Be careful because the damage of the product is often started at the time of the hand solder.

#### 5. Repairing

Repair should not be done after the LEDs have been soldered. When repairing is unavoidable, a double-head soldering iron should be used (as below figure). It should be confirmed beforehand whether the characteristics of the LEDs will or will not be damaged by repairing.



## Application Restrictions

High reliability applications such as military/aerospace, automotive safety/security systems, and medical equipment may require different product. If you have any concerns, please contact Everlight before using this product in your application. This specification guarantees the quality and performance of the product as an individual component. Do not use this product beyond the specification described in this document.

EVERLIGHT

单击下面可查看定价，库存，交付和生命周期等信息

[>>Everlight \(亿光\)](#)