

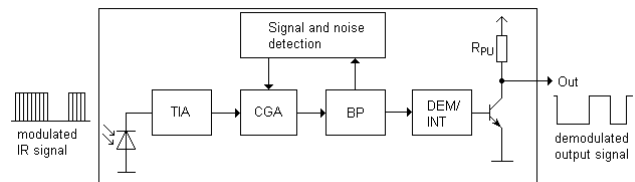
Infrared Remote Control Receiver Module IRM-8601M2-X Series



Pin Configuration

1. OUT
2. GND
3. V_{CC}

Block Diagram



Features

- High protection ability against EMI
- Ellipsoid lens for improved reception characteristics
- Available for various carrier frequencies
- Min burst length: 10 cycles
- Min gap length: 14 cycles
- Low operating voltage and low power consumption
- High immunity against ambient light
- High immunity against TFT backlight
- Long reception range
- High sensitivity
- Pb free and RoHS compliant

Description

The IRM-8601M2-X devices are DIP type infrared receivers which have been developed and designed by using the latest IC technology.

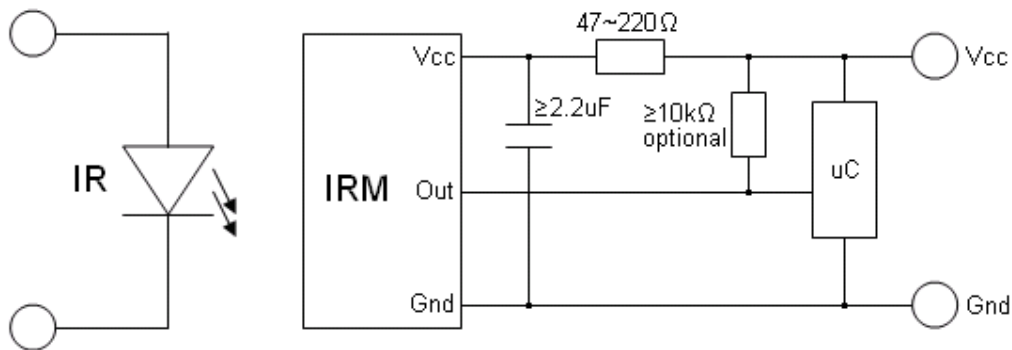
The PIN diode and preamplifier are assembled onto a lead frame and molded into a black epoxy package which operates as an IR filter. The demodulated output signal can directly be decoded by a microprocessor.

产品规格咨询热线：梁 SR 18148584520（微信同号）

Applications

- AV equipment such as TV, VCR, DVD, CD, MD, etc.
- CATV set top boxes
- Multi-media Equipment
- Other devices using IR remote control

Application Circuit



The RC Filter must be connected as close as possible to Vcc and GND pins.

Parts Table

Model No.	Carrier Frequency
IRM-8601M2-2	36 kHz
IRM-8601M2	38 kHz
IRM-8601M2-4	40 kHz

产品规格咨询热线：梁 SR 18148584520（微信同号）

Absolute Maximum Ratings ($T_a=25^{\circ}\text{C}$)

Parameter	Symbol	Rating	Unit
Supply Voltage	Vcc	6	V
Operating Temperature	Topr	-20 ~ +80	$^{\circ}\text{C}$
Storage Temperature	Tstg	-40 ~ +85	$^{\circ}\text{C}$
Soldering Temperature ^{*1}	Tsol	260	$^{\circ}\text{C}$

^{*1} 4mm from mold body for less than 5 seconds

Electro-Optical Characteristics ($T_a=25^{\circ}\text{C}$, $V_{cc}=3\text{V}$)

Parameter	Symbol	MIN.	TYP.	MAX.	Unit	Condition
Current consumption	Icc	---	0.4	0.6	mA	No input signal
Supply voltage	V _{CC}	2.7	-	5.5	V	
Peak wavelength	λ_p	---	940	---	nm	
Reception range	L ₀	8	---	---	m	See chapter , Test method'
	L ₄₅	5	---	---		
Half angle(horizontal)	ϕ_h	---	± 35	---	deg	
Half angle(vertical)	ϕ_v	---	± 25	---	deg	
High level pulse width	T _H	450	---	700	μs	Test signal according to figure 1
Low level pulse width	T _L	500	---	750	μs	
High level output voltage	V _{OH}	V _{CC} -0.4	---	---	V	
Low level output voltage	V _{OL}	---	0.2	0.5	V	I _{SINK} ≤ 2mA
Internal pull up resistor	R _{PU}	85	100	115	k Ω	

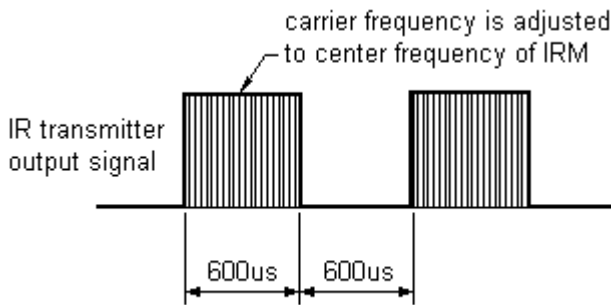
产品规格咨询热线：梁 SR 18148584520（微信同号）

Test method

The specified electro-optical characteristics are valid under the following conditions.

1. Measurement environment
A place without extreme light reflections.
2. External light
The environment contains an ordinary, white fluorescent lamp without high frequency modulation. The color temperature is 2856K and the illumination at the IR receiver is less than 10 Lux ($E_v \leq 10\text{Lux}$).
3. Standard transmitter
The test transmitter is calibrated by using the circuit shown in figure 2. The radiation intensity of the transmitter is adjusted until $V_o=400\text{mVp-p}$. Both, the test transmitter and the photo diode, have a peak wavelength of 940nm. The photo diode for calibration is PD438B ($\lambda_p=940\text{nm}$, $V_r=5\text{V}$).
4. The measurement system is shown in Fig.-3

Fig.-1 Transmitter Wave Form



D.U.T output Pulse

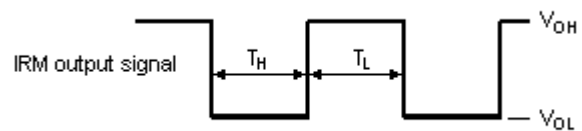


Fig.-2 standard transmitter calibration

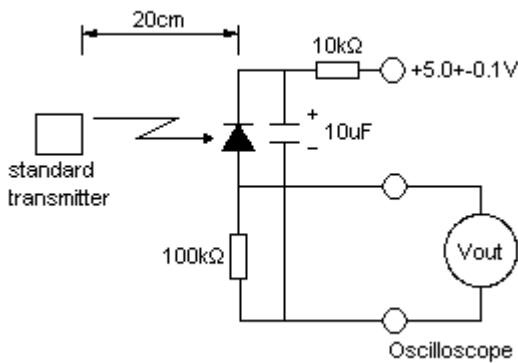
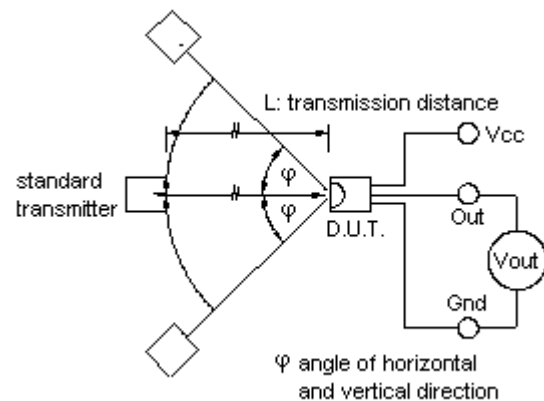


Fig.-3 Measuring System



产品规格咨询热线：梁 SR 18148584520（微信同号）

Typical Electro-Optical Characteristic Curves

Fig.4 Relative Responsibility vs. Wavelength

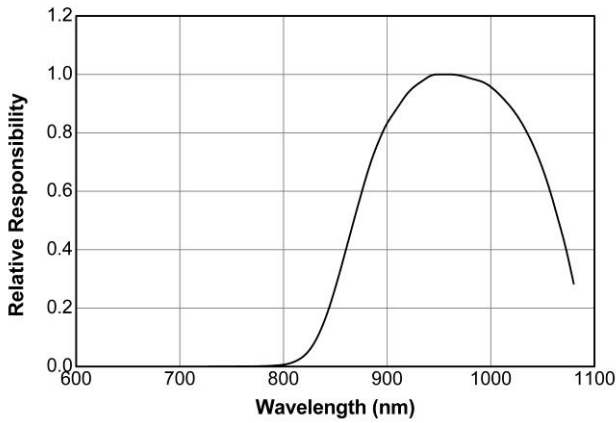


Fig.5 Relative Sensitivity vs. Angle

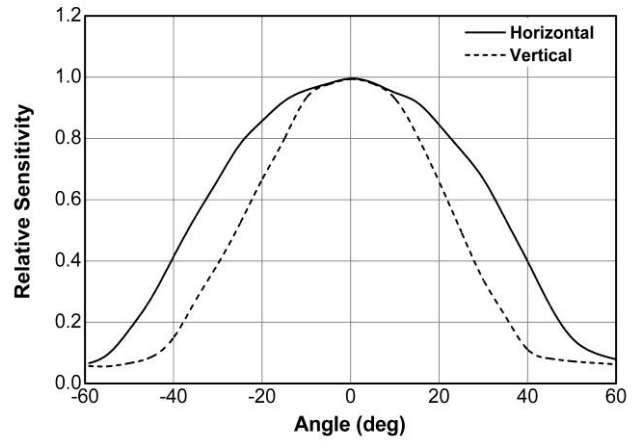


Fig.6 Variation Output Pulse Width vs. Distance

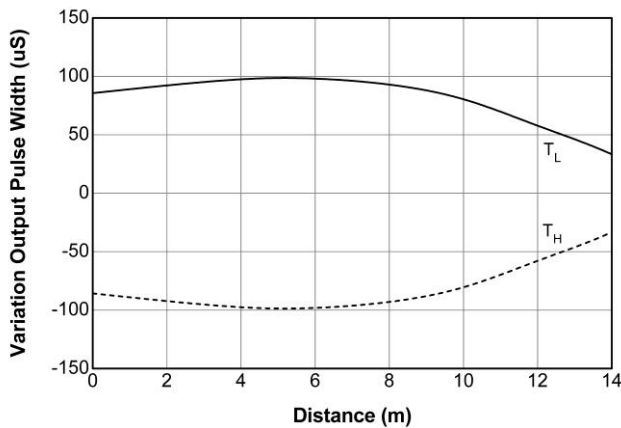


Fig.7 Supply Voltage vs. Distance

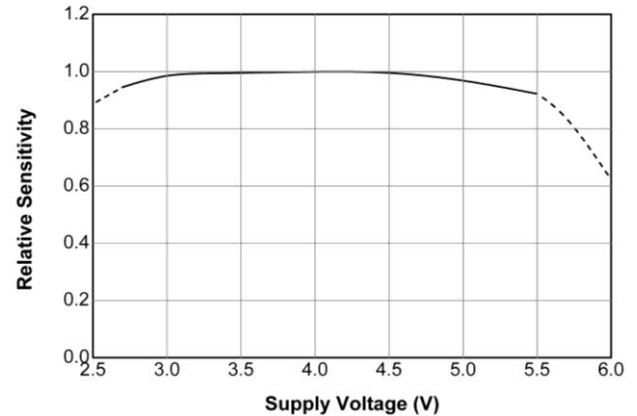
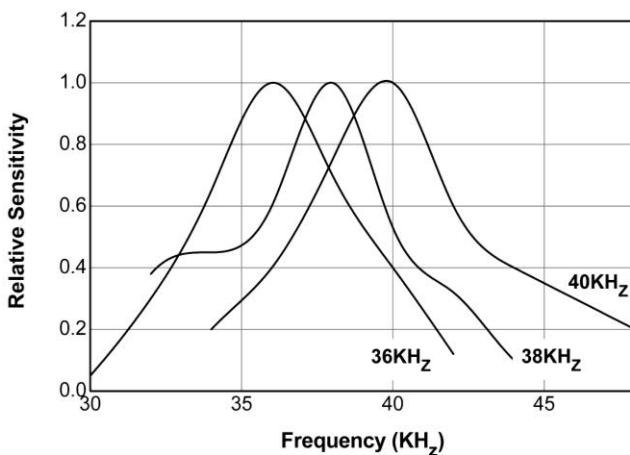
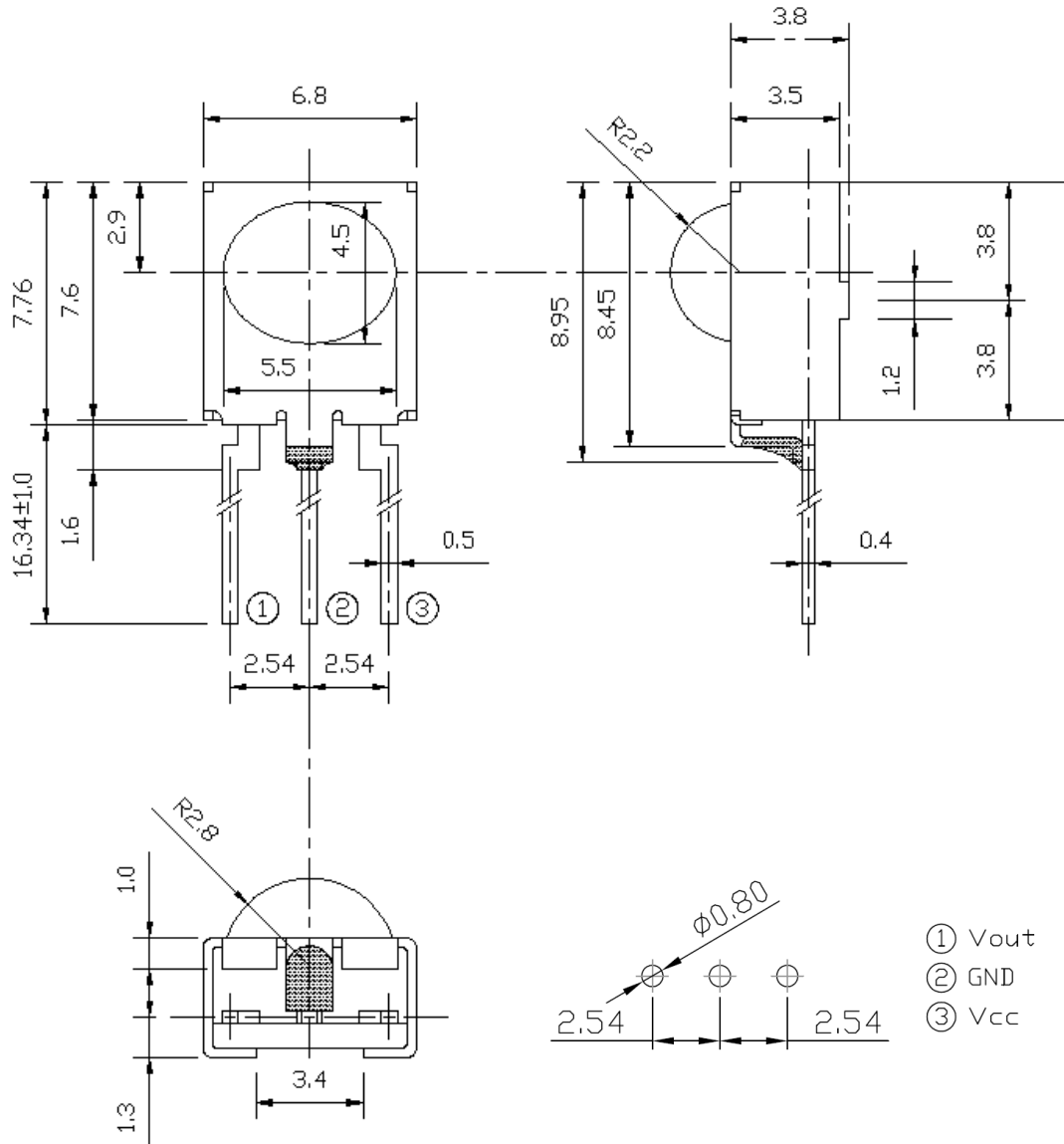


Fig.8 Relative Sensitivity vs. Frequency



产品规格咨询热线：梁 SR 18148584520（微信同号）

Package Dimensions
(Dimensions in mm)



Notes:

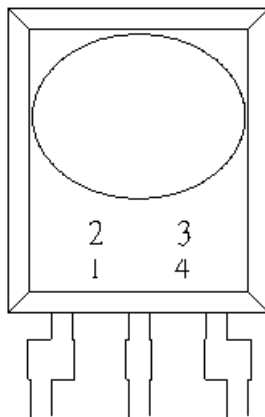
Tolerances unless mentioned $\pm 0.3\text{mm}$. Unit: mm

产品规格咨询热线：梁 SR 18148584520（微信同号）

Code information

Protocol	Suitable	Protocol	Suitable
JVC	Yes	RCA	No
Matsushita	No	Sharp	Yes
Mitsubishi	Yes	Sony 12 Bit	Yes
NEC	Yes	Sony 15 Bit	Yes
RC5	Yes	Sony 20 Bit	Yes
RC6	Yes	Toshiba	Yes
RCMM	No	XMP	No
RCS-80	No	Continuous Code	Yes

Device Marking



Notes:

- 1 denotes Year code
- 2 denotes Month code
- 3 denotes Device number
- 4 denotes Carrier frequency

Packing Quantity

- 1500 pcs / Box
- 10 Boxes / Carton

产品规格咨询热线：梁 SR 18148584520（微信同号）

DISCLAIMER

1. Above specification may be changed without notice. EVERLIGHT will reserve authority on material change for above specification.
2. When using this product, please observe the absolute maximum ratings and the instructions for use outlined in these specification sheets. EVERLIGHT assumes no responsibility for any damage resulting from use of the product which does not comply with the absolute maximum ratings and the instructions included in these specification sheets.
3. These specification sheets include materials protected under copyright of EVERLIGHT. Reproduction in any form is prohibited without the specific consent of EVERLIGHT.

单击下面可查看定价，库存，交付和生命周期等信息

[>>Everlight \(亿光\)](#)